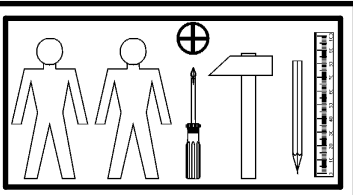
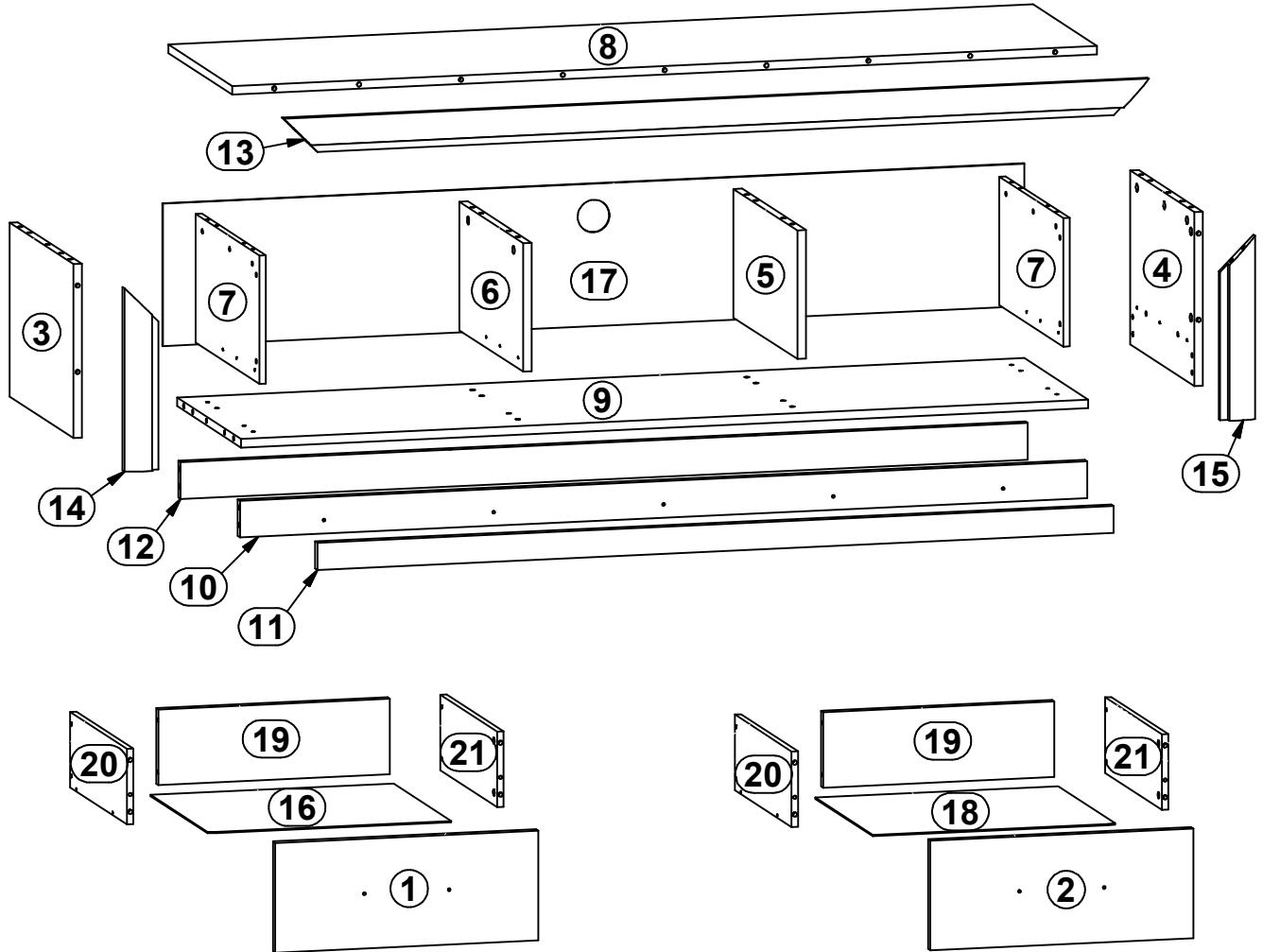
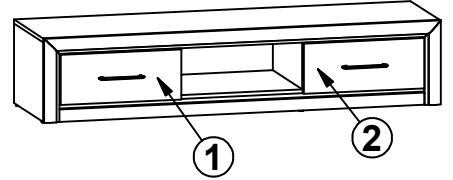
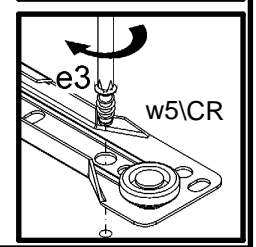
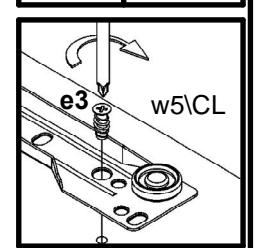
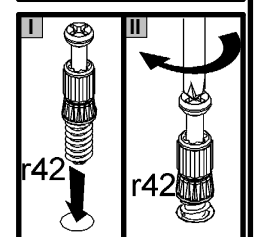
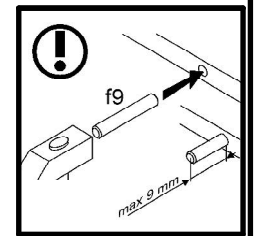
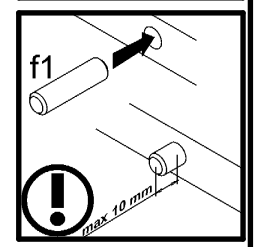
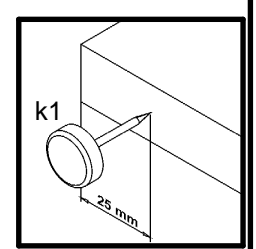
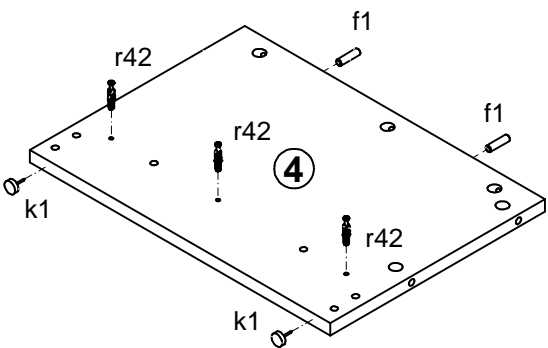
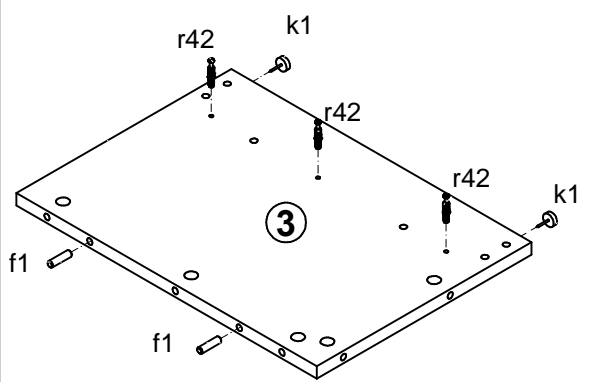
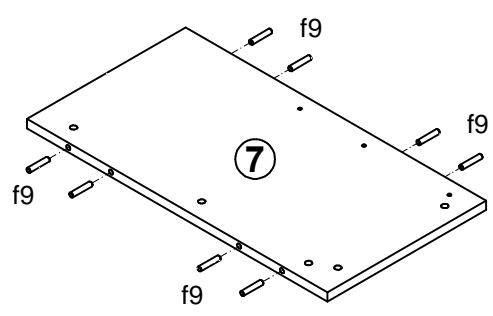
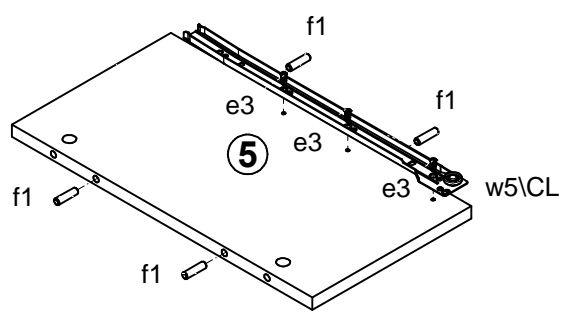
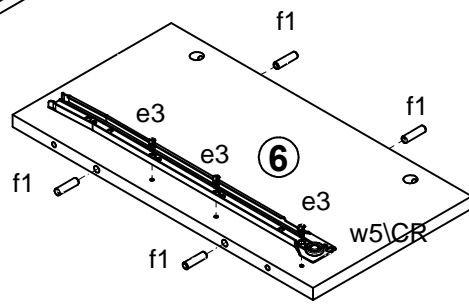
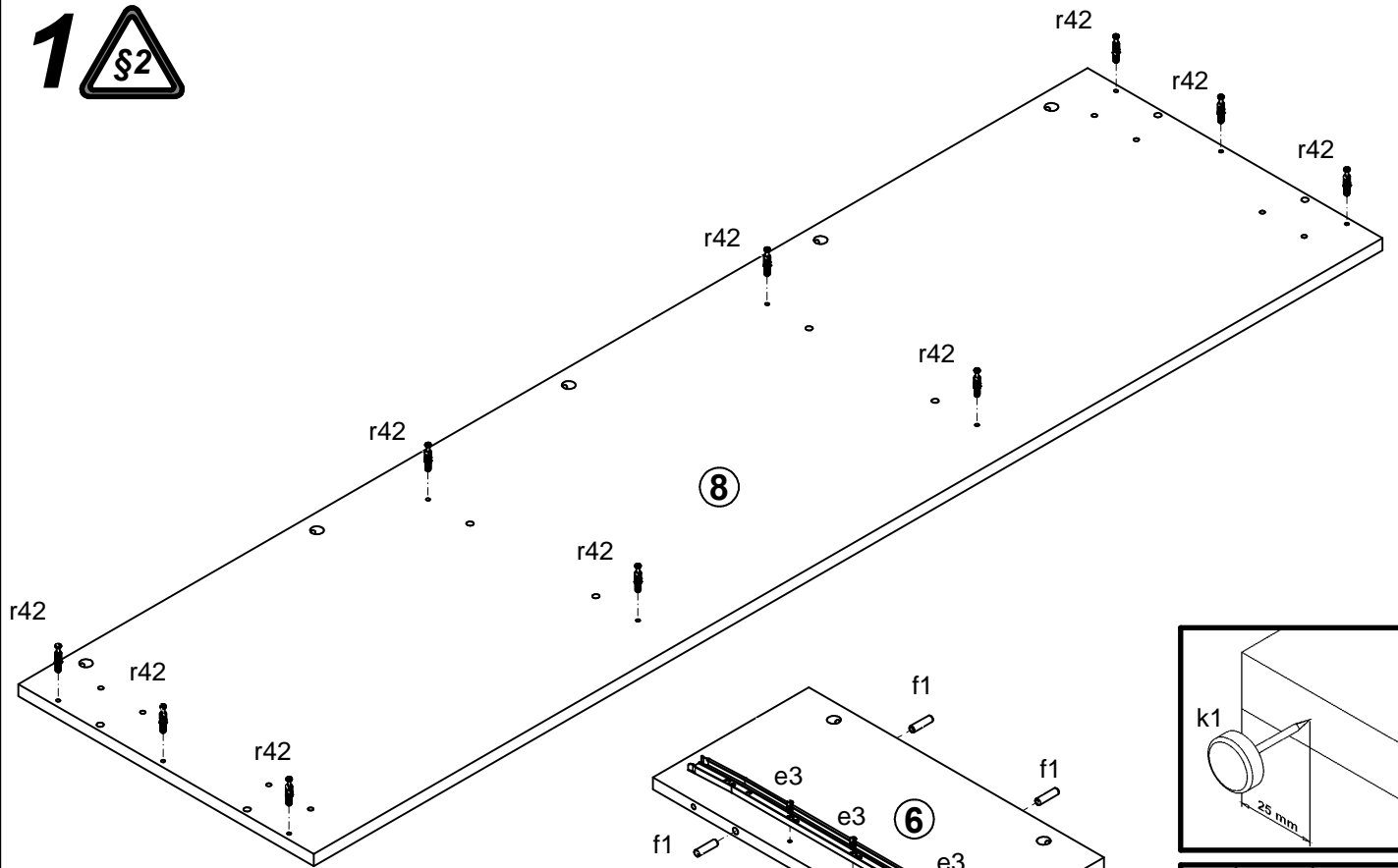


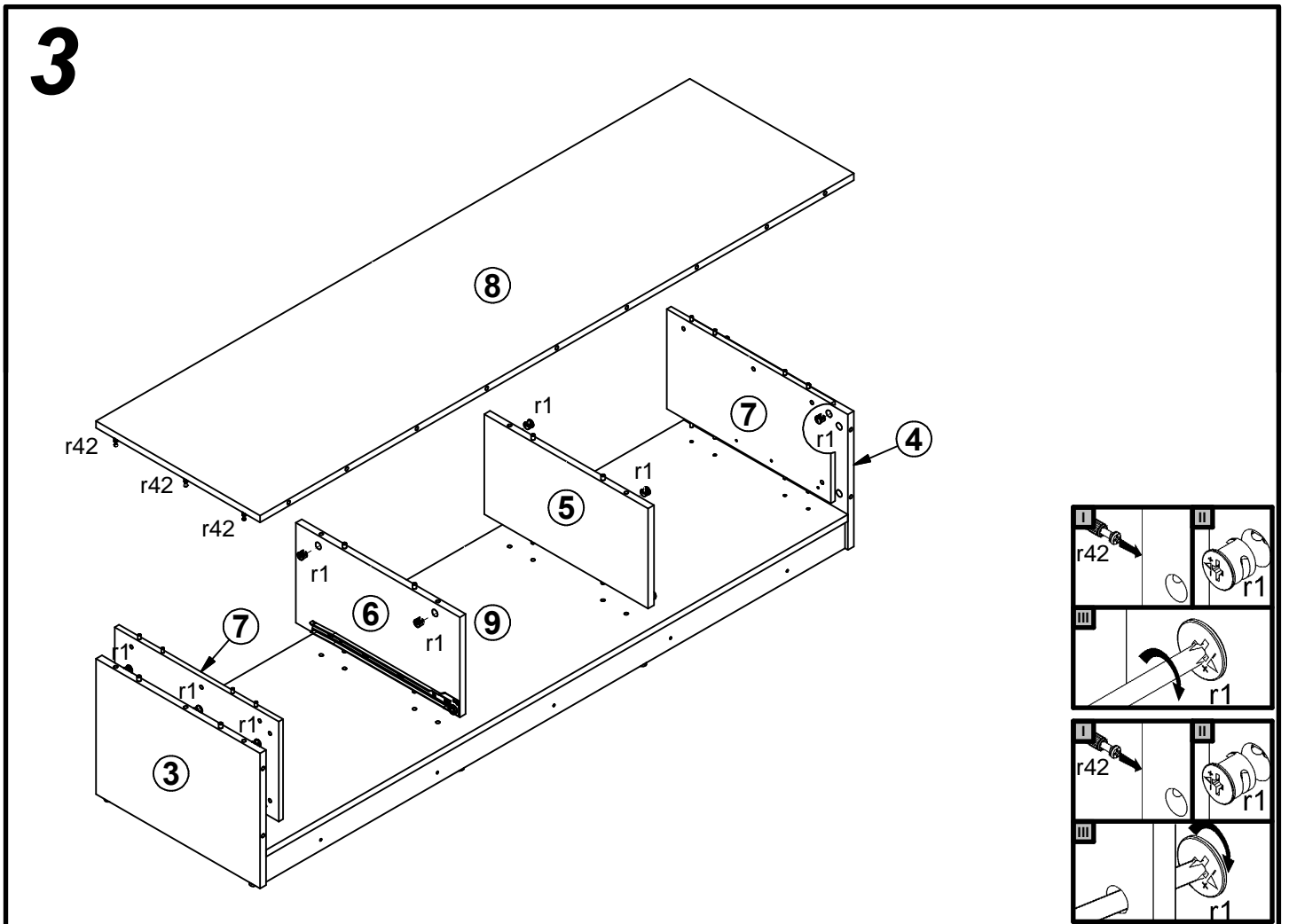
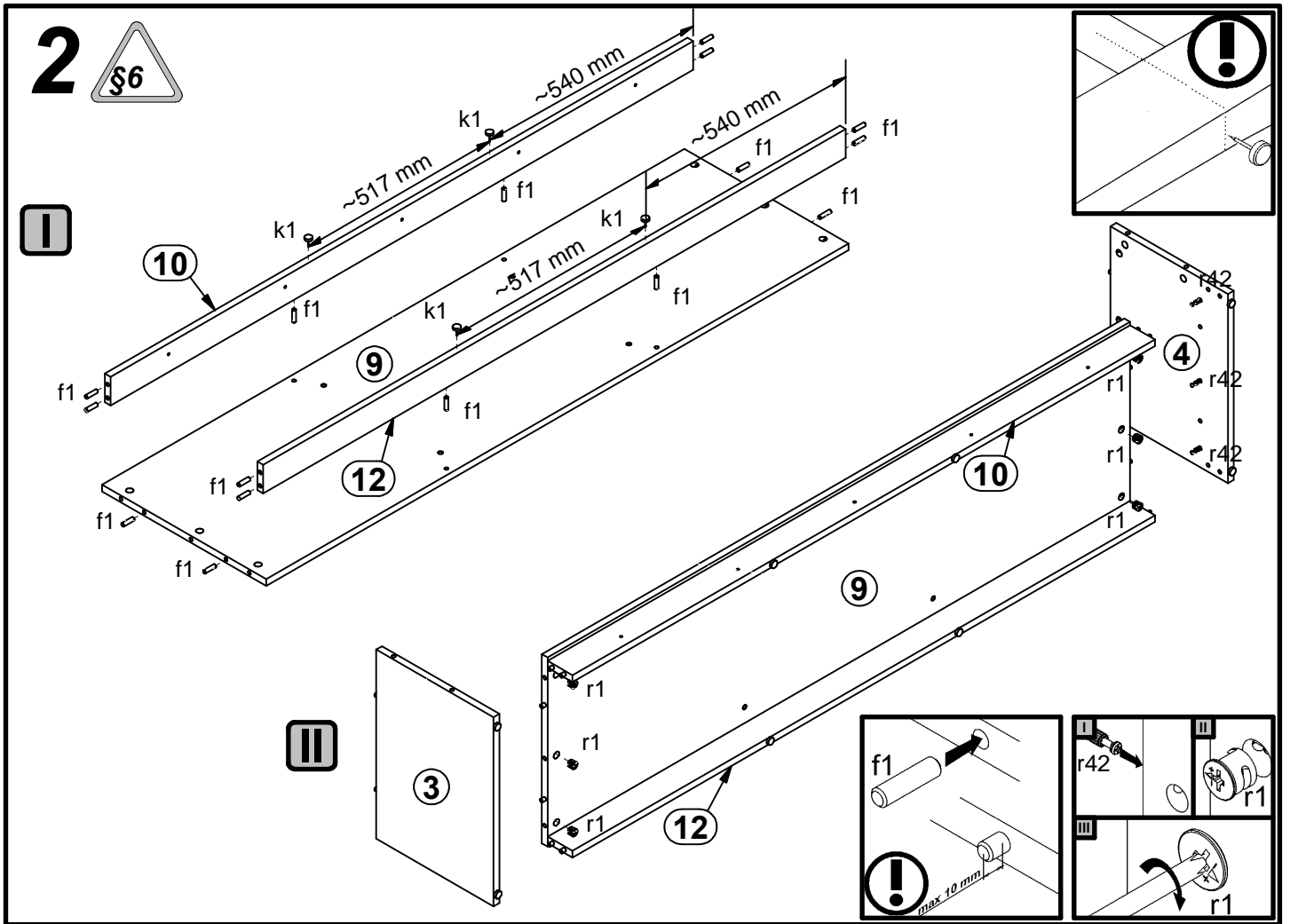
A	B	C	D	A	B	C	D		
1	S337-0034	496	203	3/3	12	S337-4022	1597	68	1/3
2	S337-0035	496	203	3/3	13	S337-5009	1631	65	2/3
3	S337-1019	322	450	1/3	14	S337-5022	339	65	2/3
4	S337-1020	322	450	1/3	15	S337-5023	339	65	2/3
5	S337-1021	238	450	1/3	16	S337-9006	458	405	1/3
6	S337-1022	238	450	1/3	17	S337-9007	264	1624	1/3
7	S337-1023	238	450	1/3	18	S337-9008	458	405	1/3
8	S337-2007	1630	450	1/3	19	ZS3-5676	436	140	1/3
9	S337-3012	1597	450	1/3	20	ZS4-527	400	140	1/3
10	S337-4007	1597	68	1/3	21	ZS4-528	400	140	1/3
11	S337-4009	1501	50	1/3					



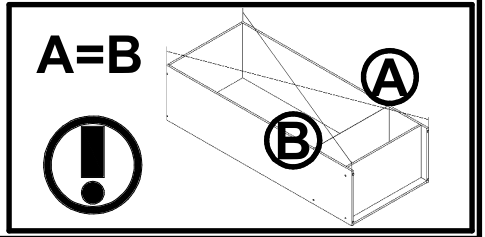
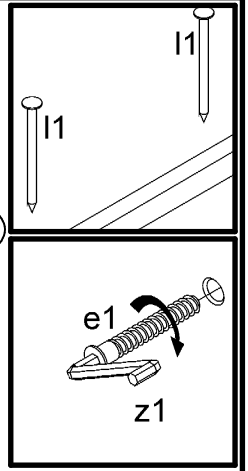
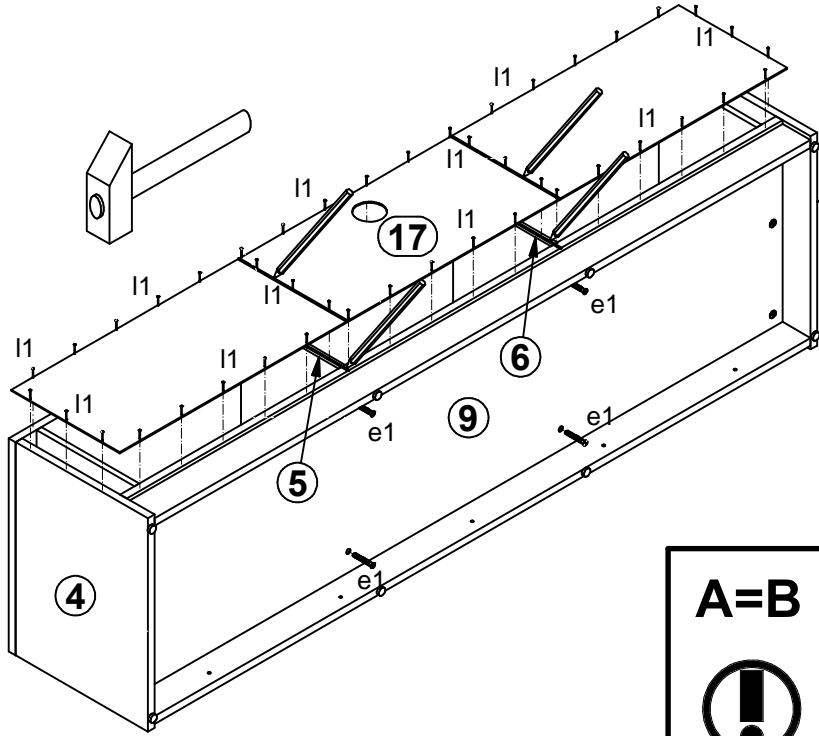
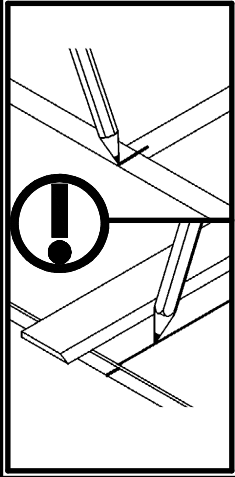
2x 160 mm c431	4x Ø7x50 mm e1	8x Ø5x9 mm e19	12x Ø6x13 mm e3	34x Ø8x30 mm f1	20x Ø6x30 mm f9	8x Ø6.5x40 mm f25	4x M4x22 mm j30	8x k1
45x l1	6x Ø3.5x16 mm p38	5x Ø4x28 mm p94	29x Ø15x12 mm #16 r1	2x r10	8x Ø12x10.5 mm #12 r15	33x 20/11 r42	2x 400 mm w5\CL	2x 400 mm w5\CR
2x 400 mm w5\DL	2x 400 mm w5\DR	1x z1						

1 



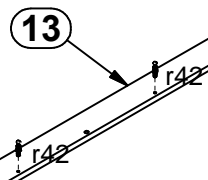
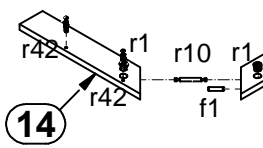
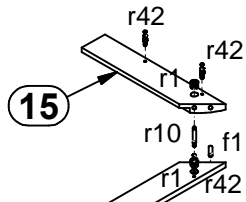


4

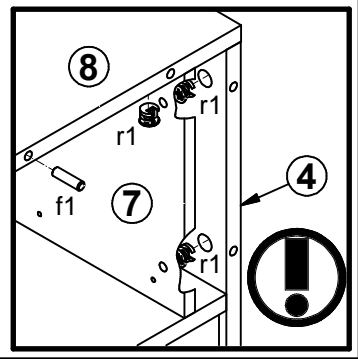
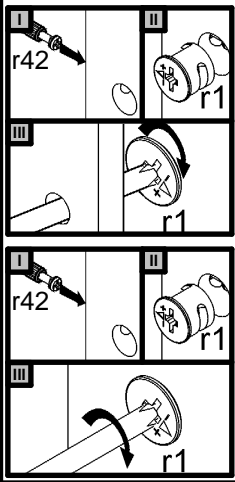
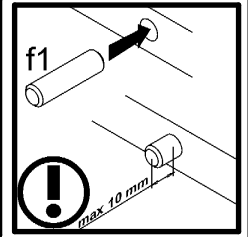
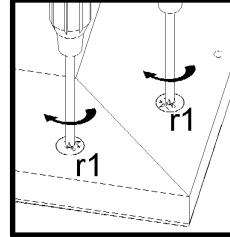
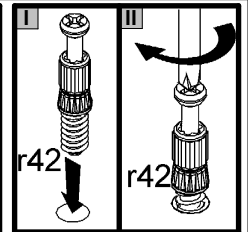
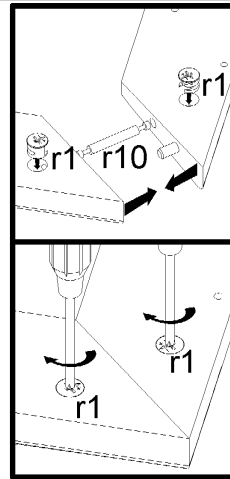
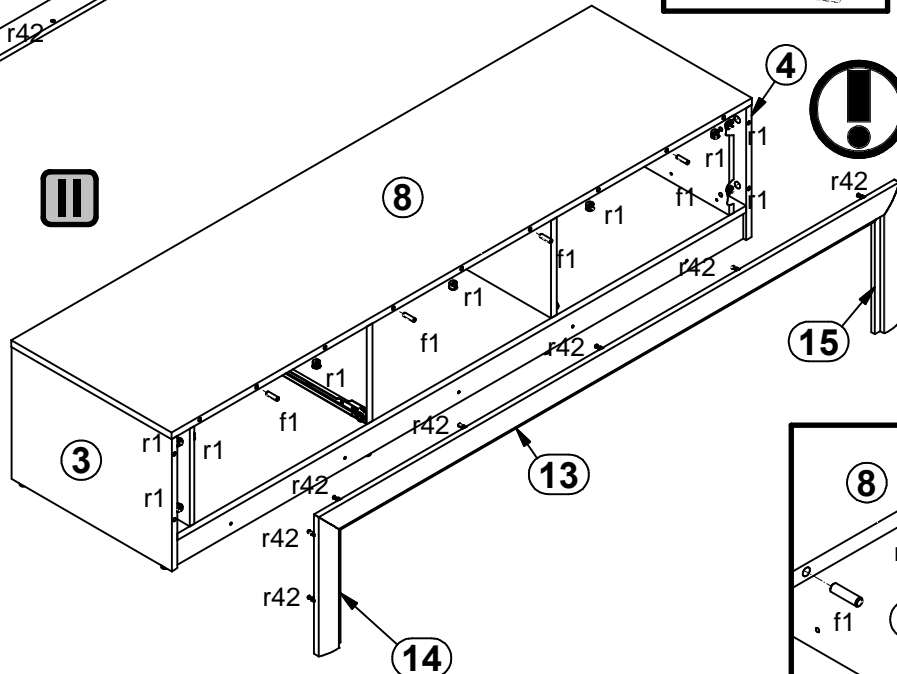


5

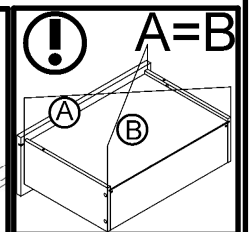
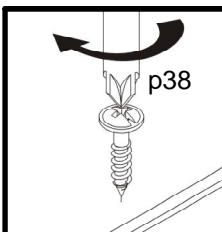
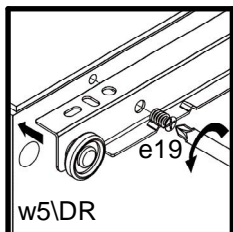
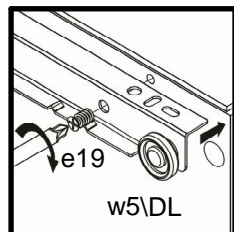
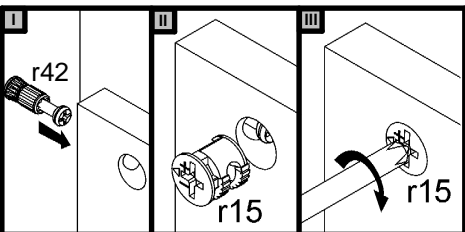
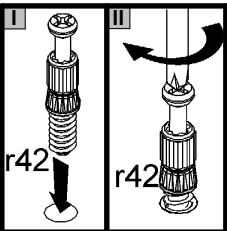
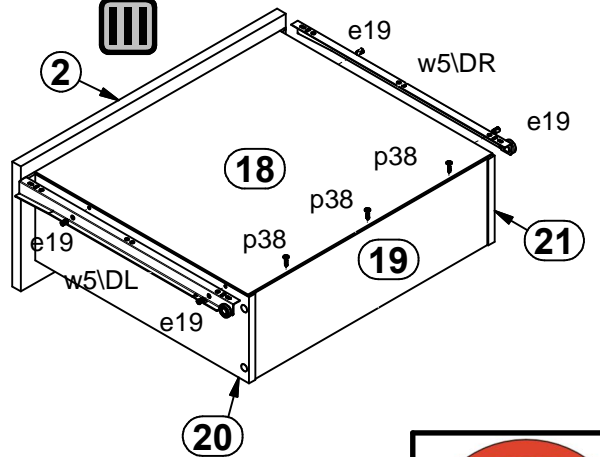
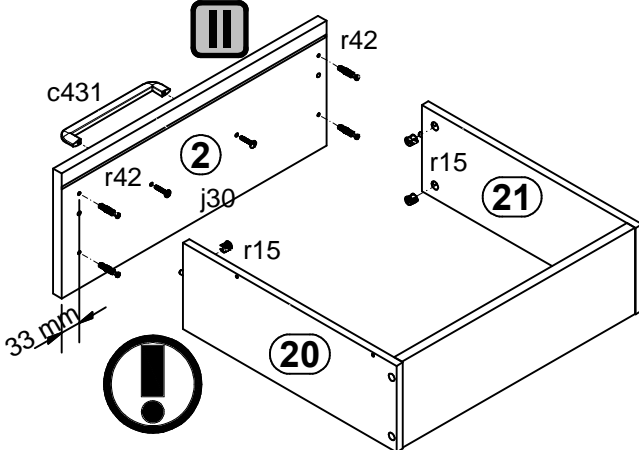
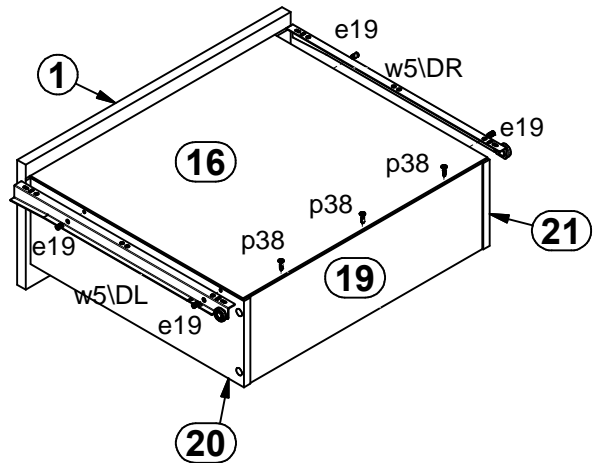
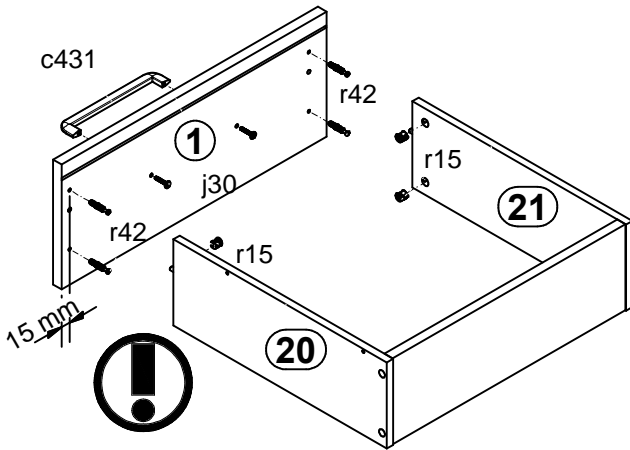
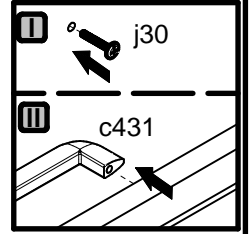
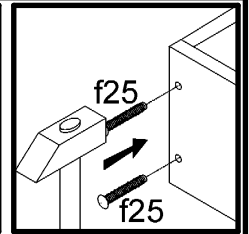
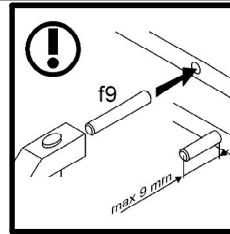
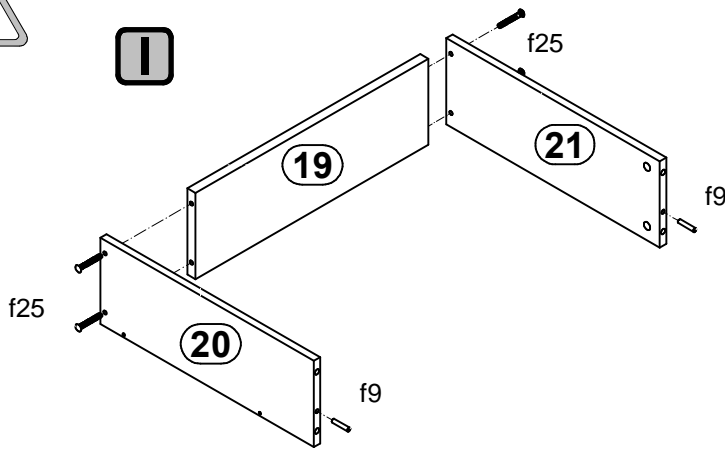
I



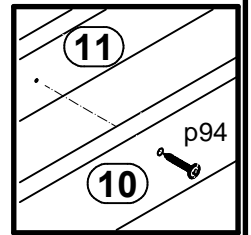
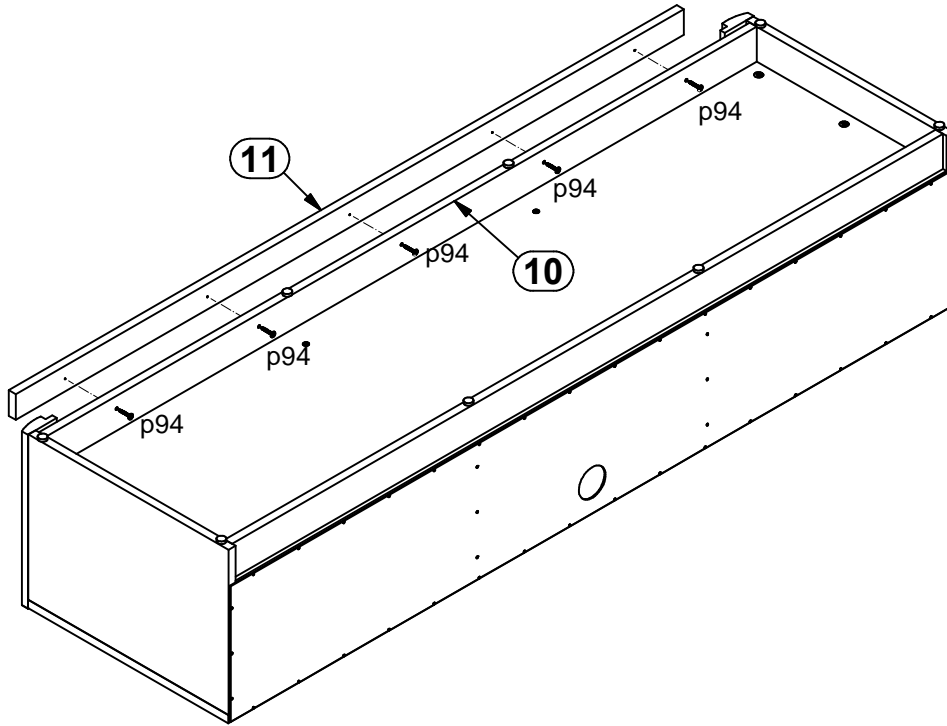
II



6



7



8

