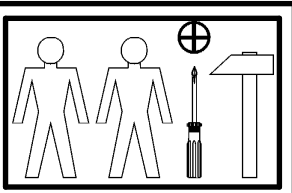
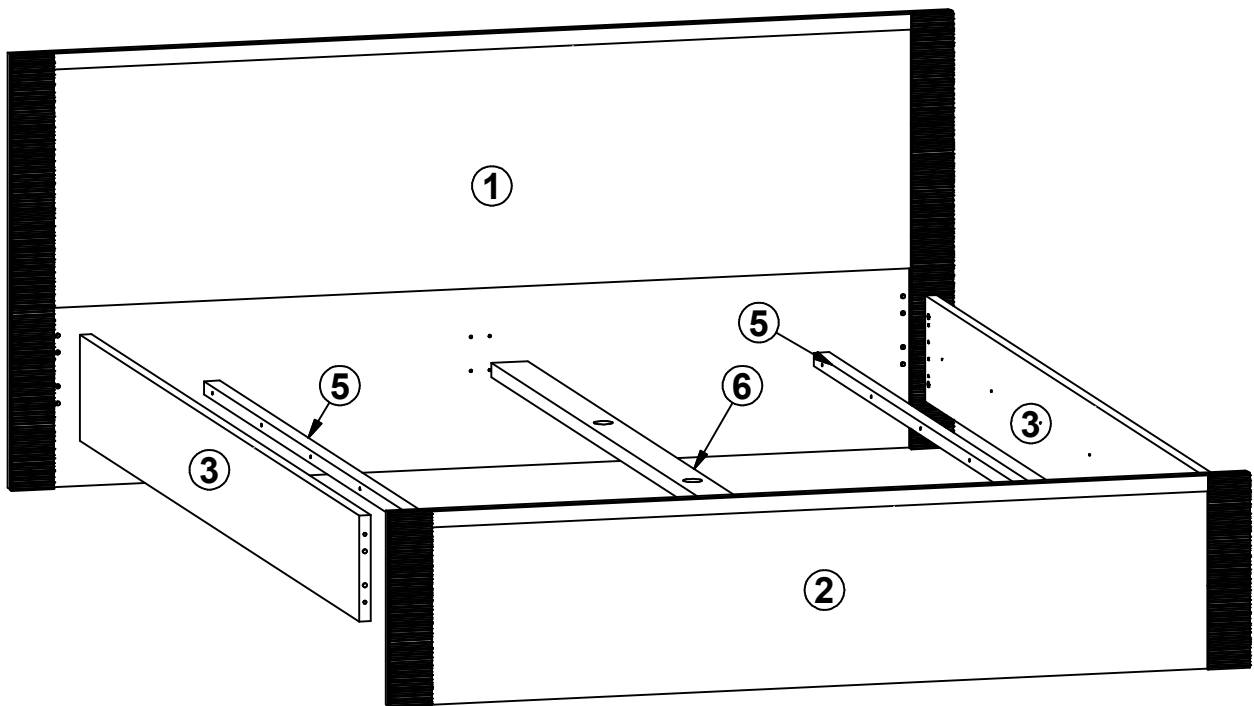
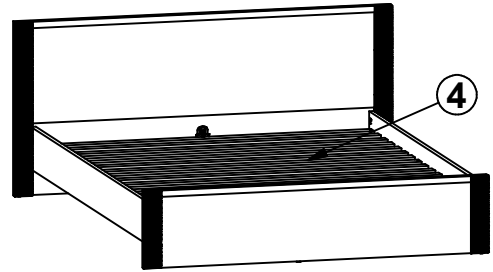


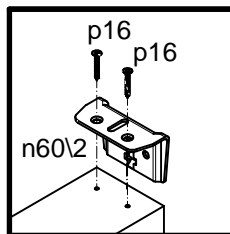
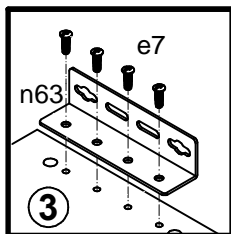
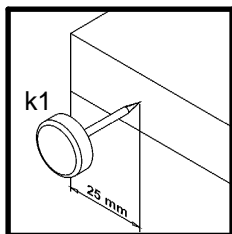
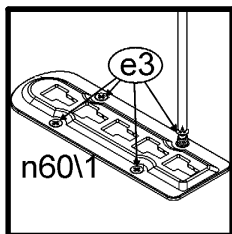
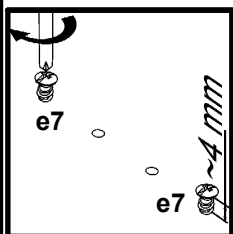
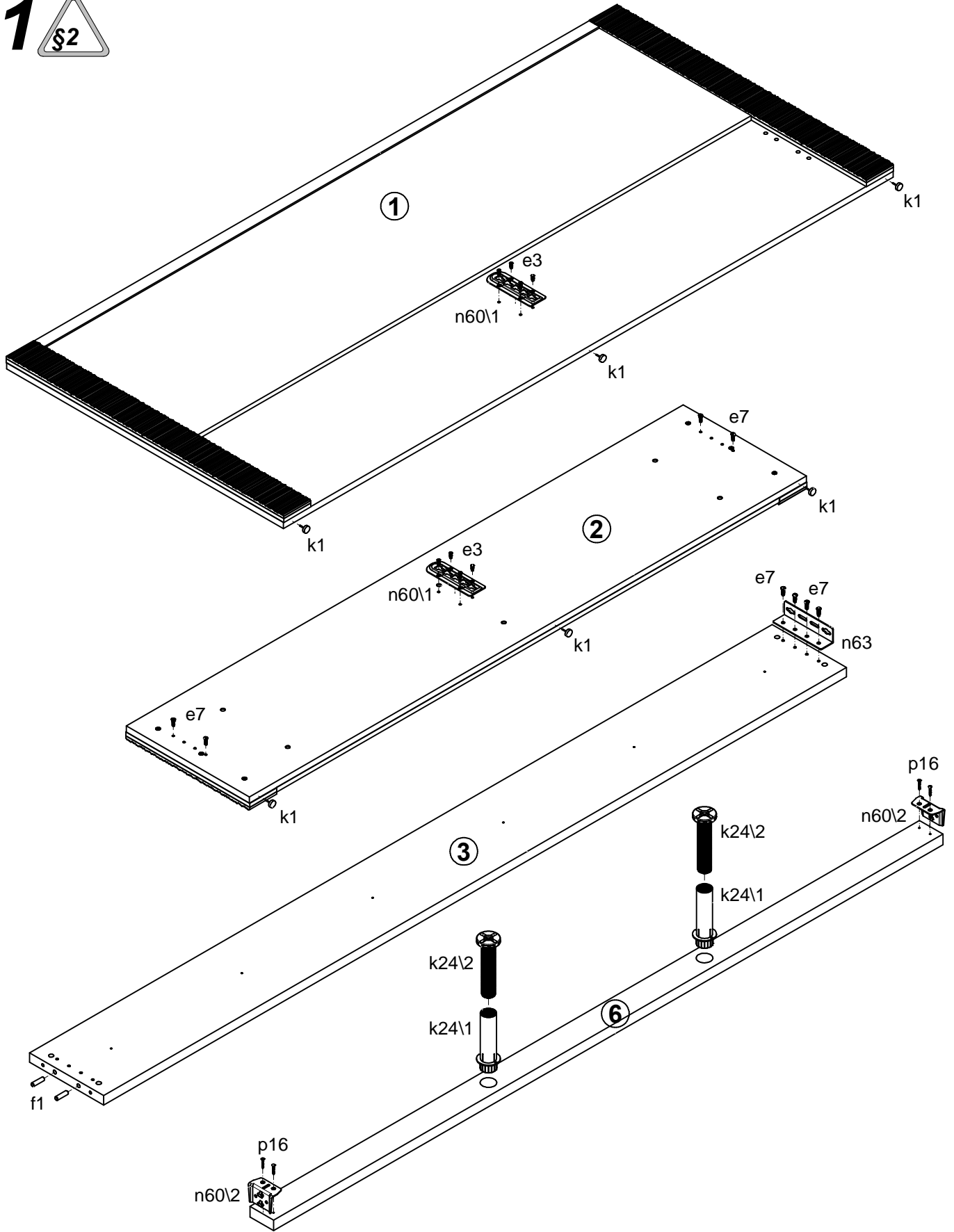
**A****S126-RAFLO****S126-LOZ/160**

A	B	C		D
1	S126-009A	1806	822	2/3
2	S126-010A	1650	367	3/3
3	S126-124A	2000	200	1/3
4	ZZ1-501	1872	1578	1/1
5	ZZ1-720	1880	25	1/3
6	ZZ1-726	1983	70	1/3

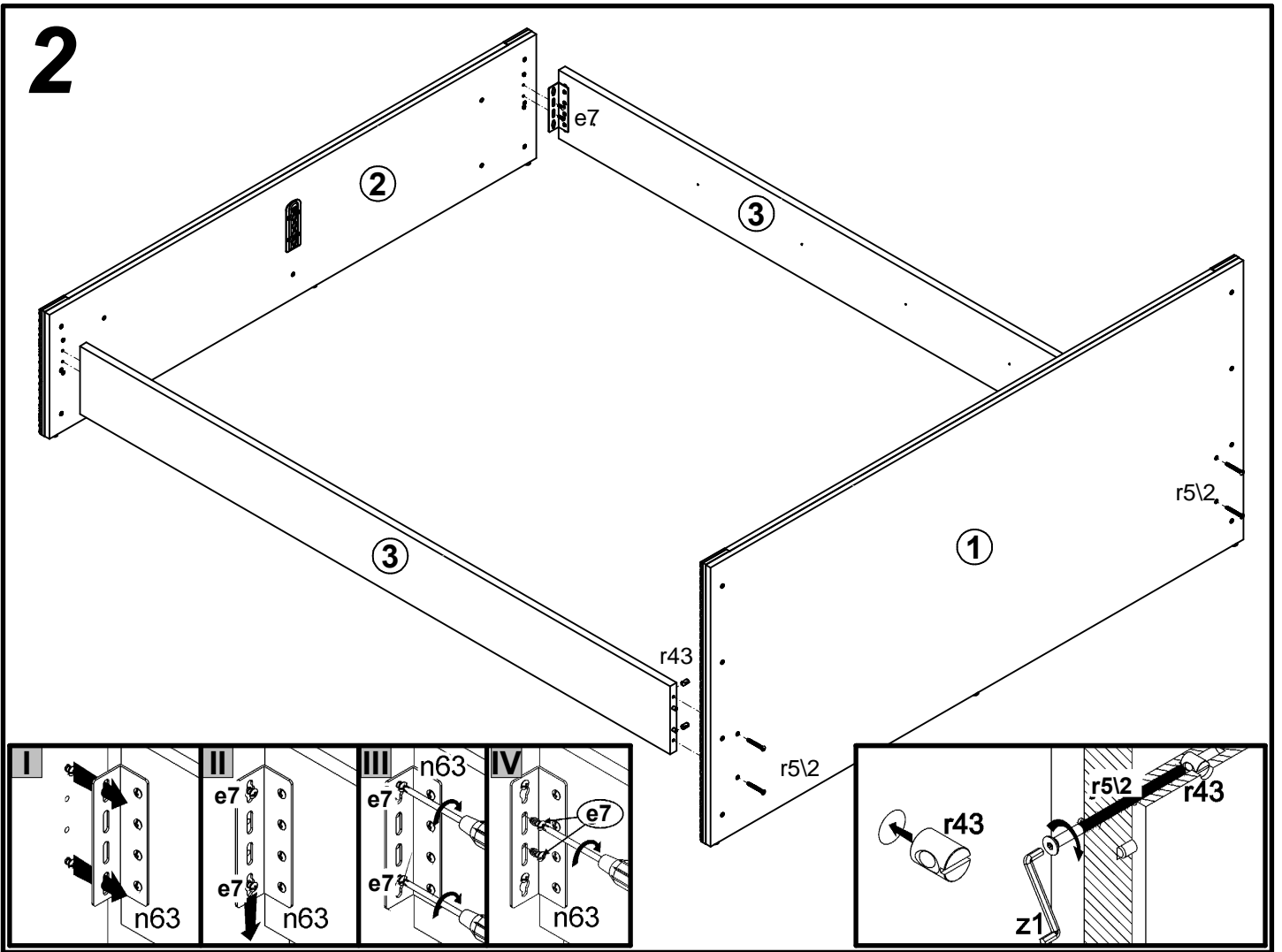


16x Ø6.3x16 mm <b>e7</b>	8x φ6x13 mm <b>e3</b>	6x <b>k1</b>	2x <b>k24\1</b>	2x <b>k24\2</b>	2x <b>n60\1</b>	2x <b>n60\2</b>	2x 130x34x3\2mm <b>n63</b>	12x φ4x45 mm <b>p11</b>
4x φ3.5x25 mm <b>p16</b>	6x φ4x35 mm <b>p6</b>	4x Ø8x30 mm <b>f1</b>	4x Ø6x54 mm <b>r5\2</b>	4x Ø10x16 mm <b>r43</b>	1x <b>z1</b>			

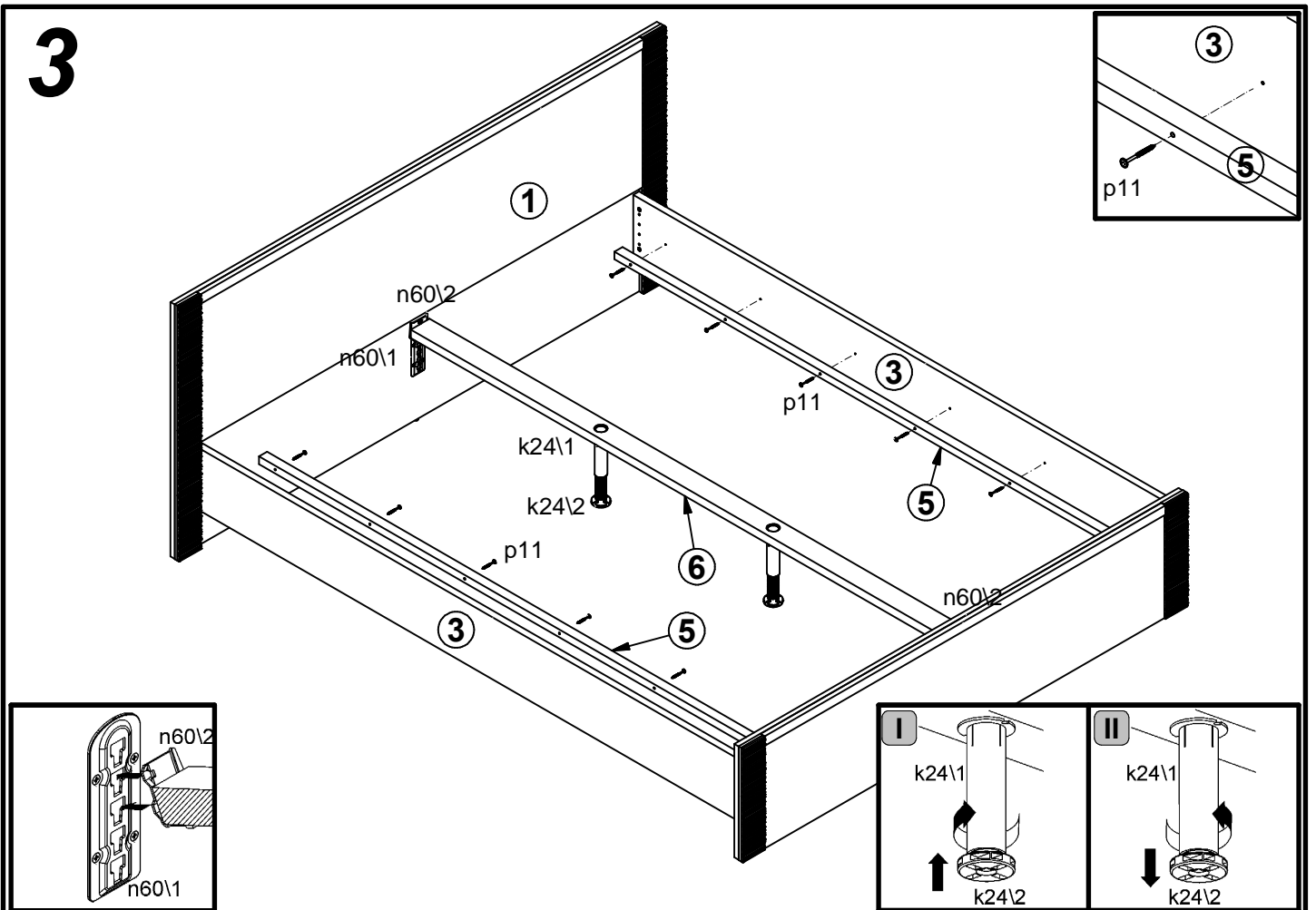
1 



# 2



# 3



4

