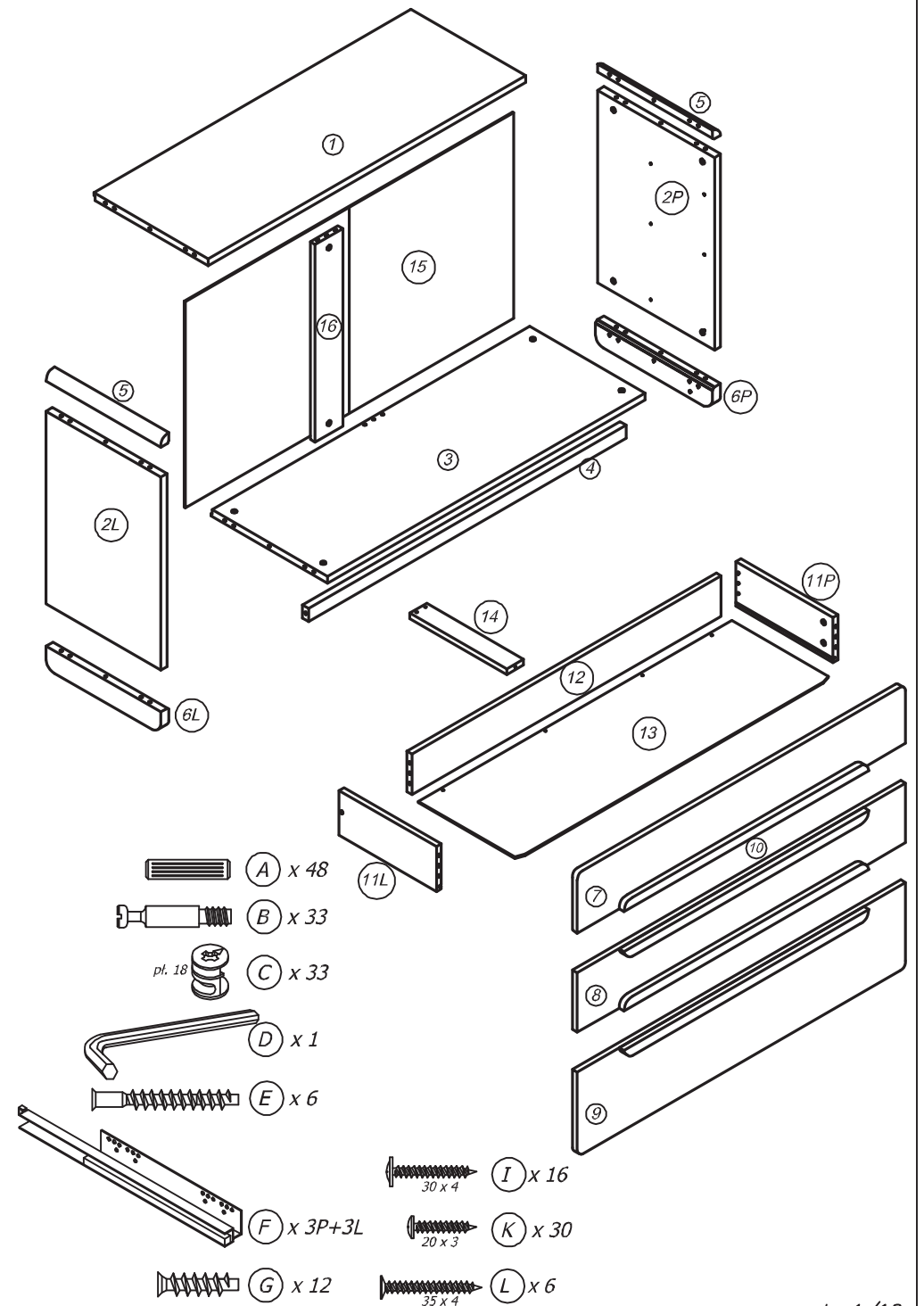
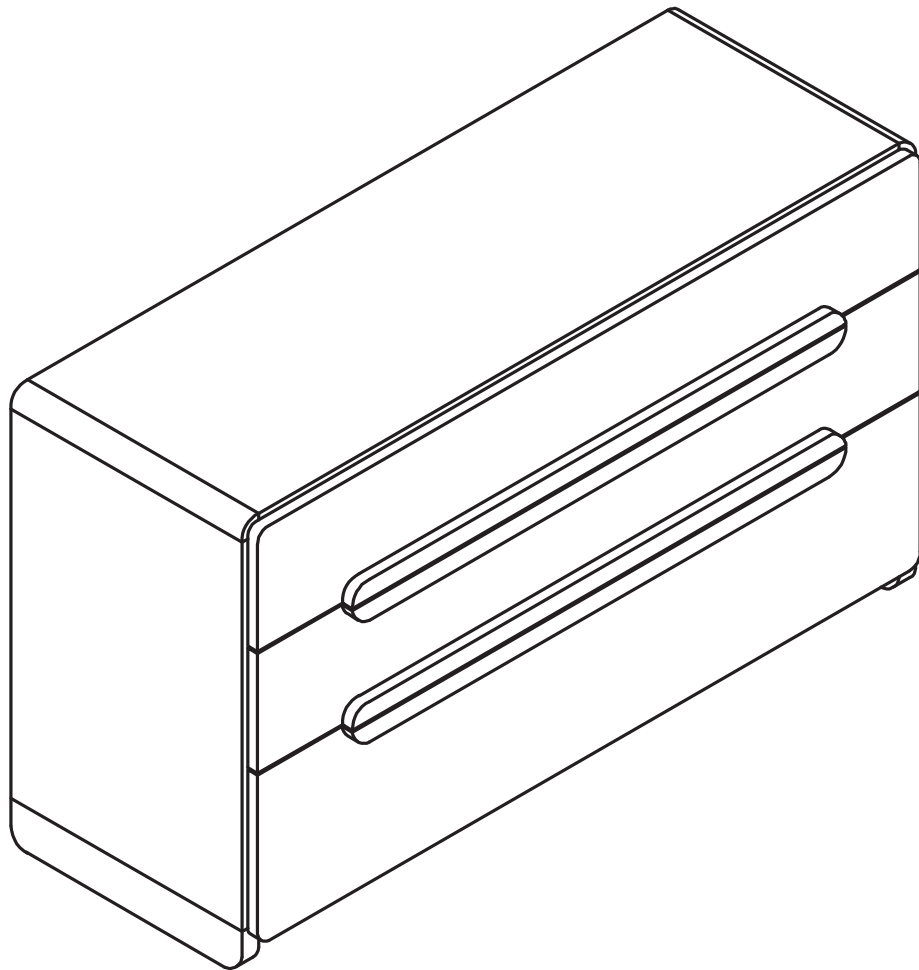
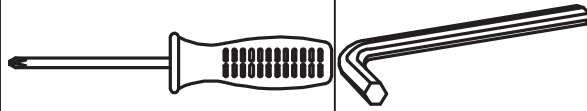
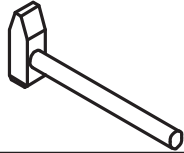
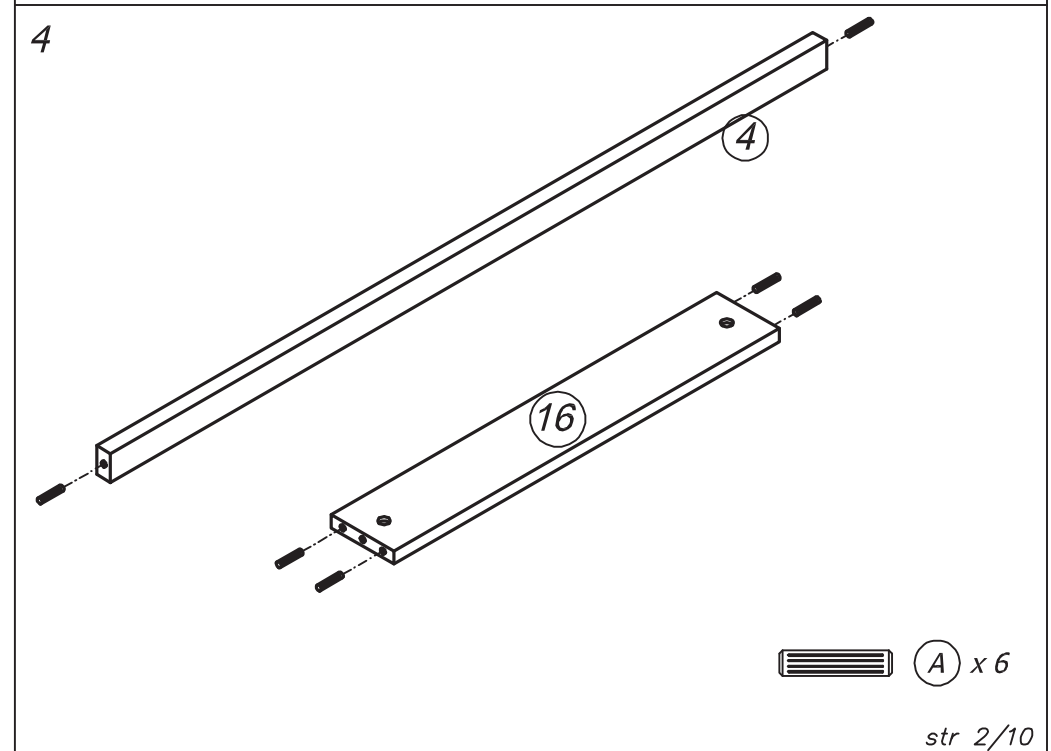
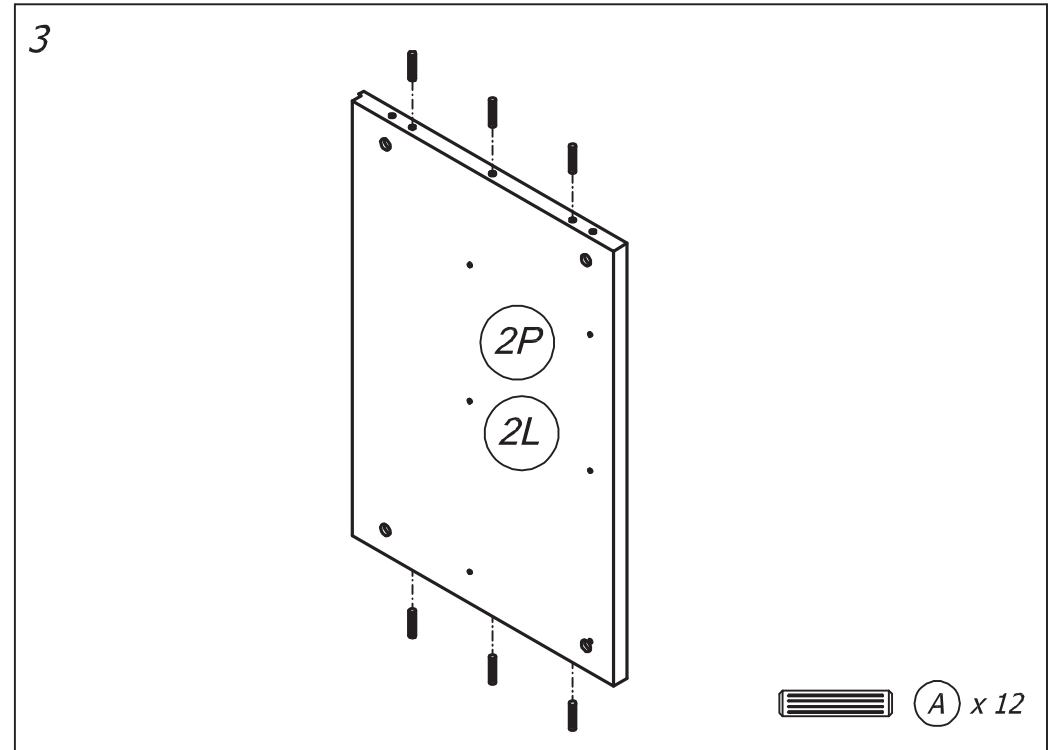
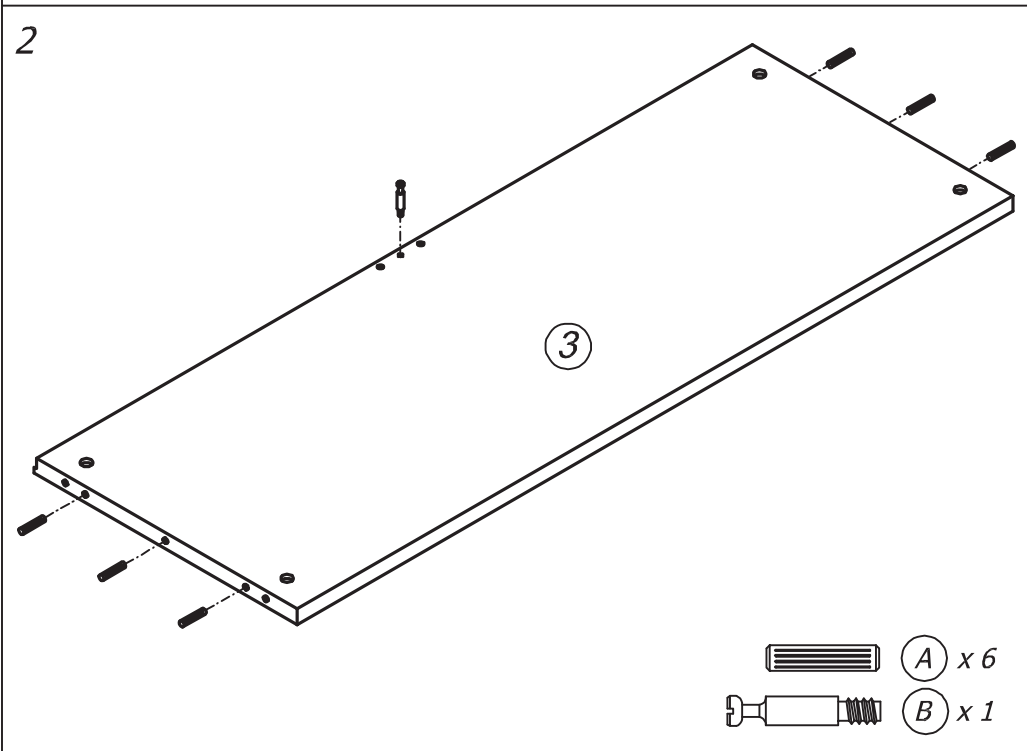
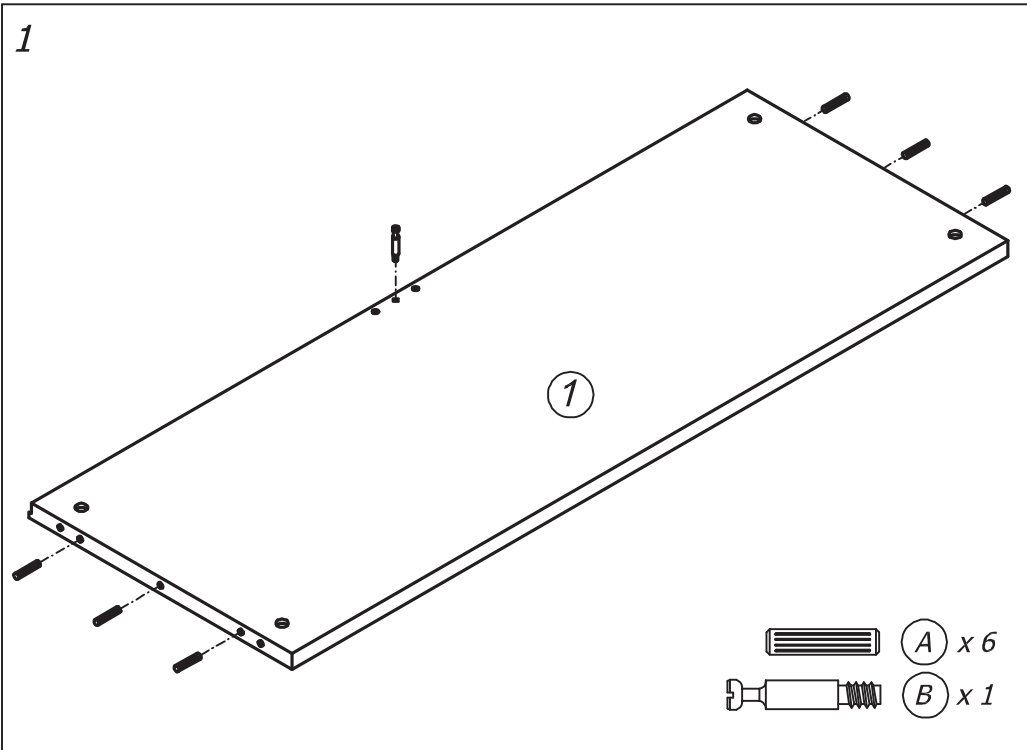
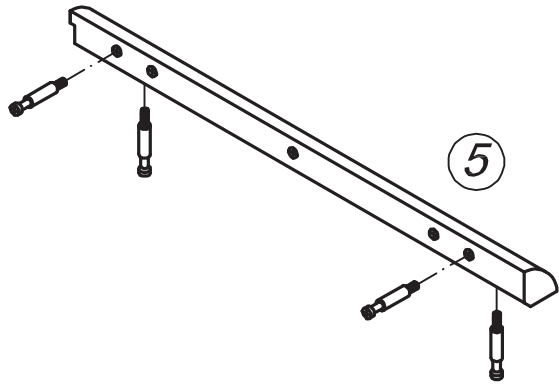


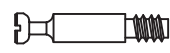
LIMO COLLECTION



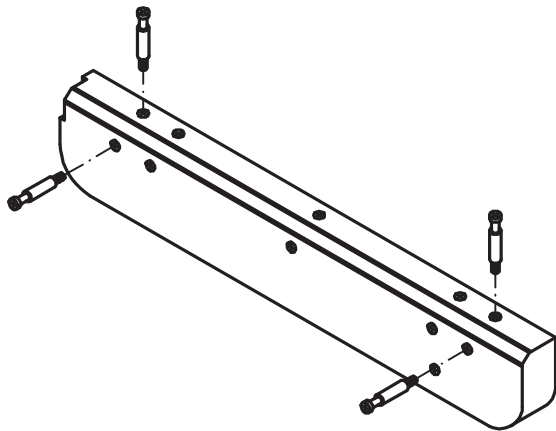


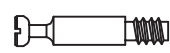
5



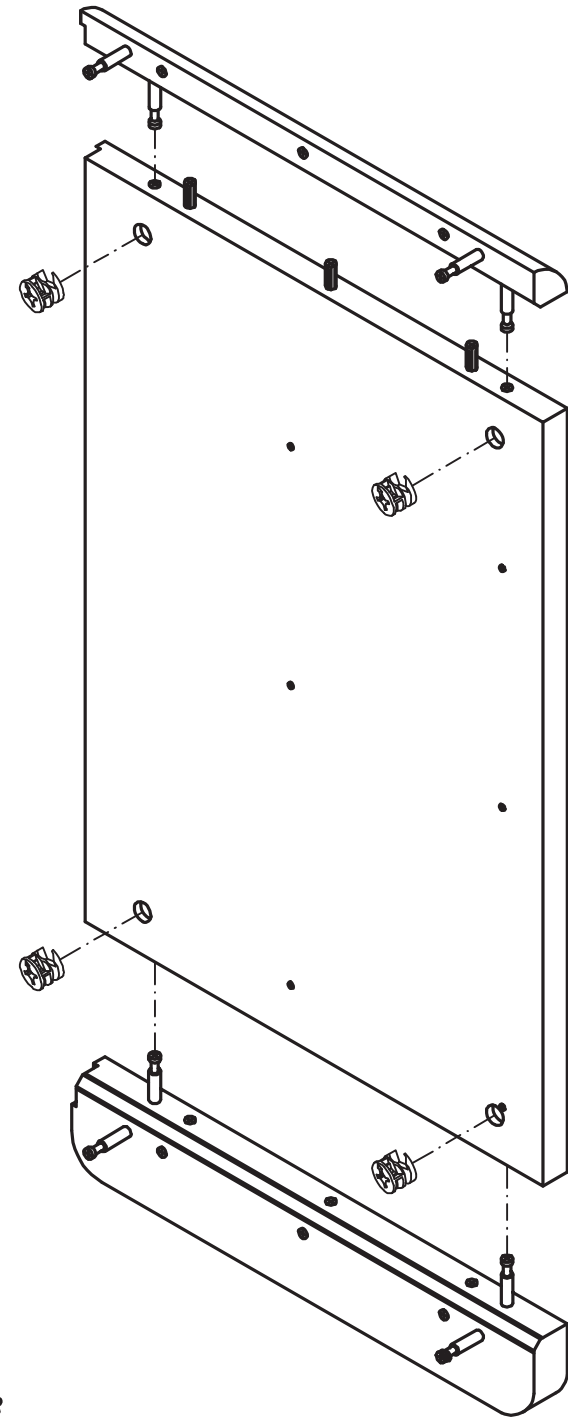
 (B) x 8

6



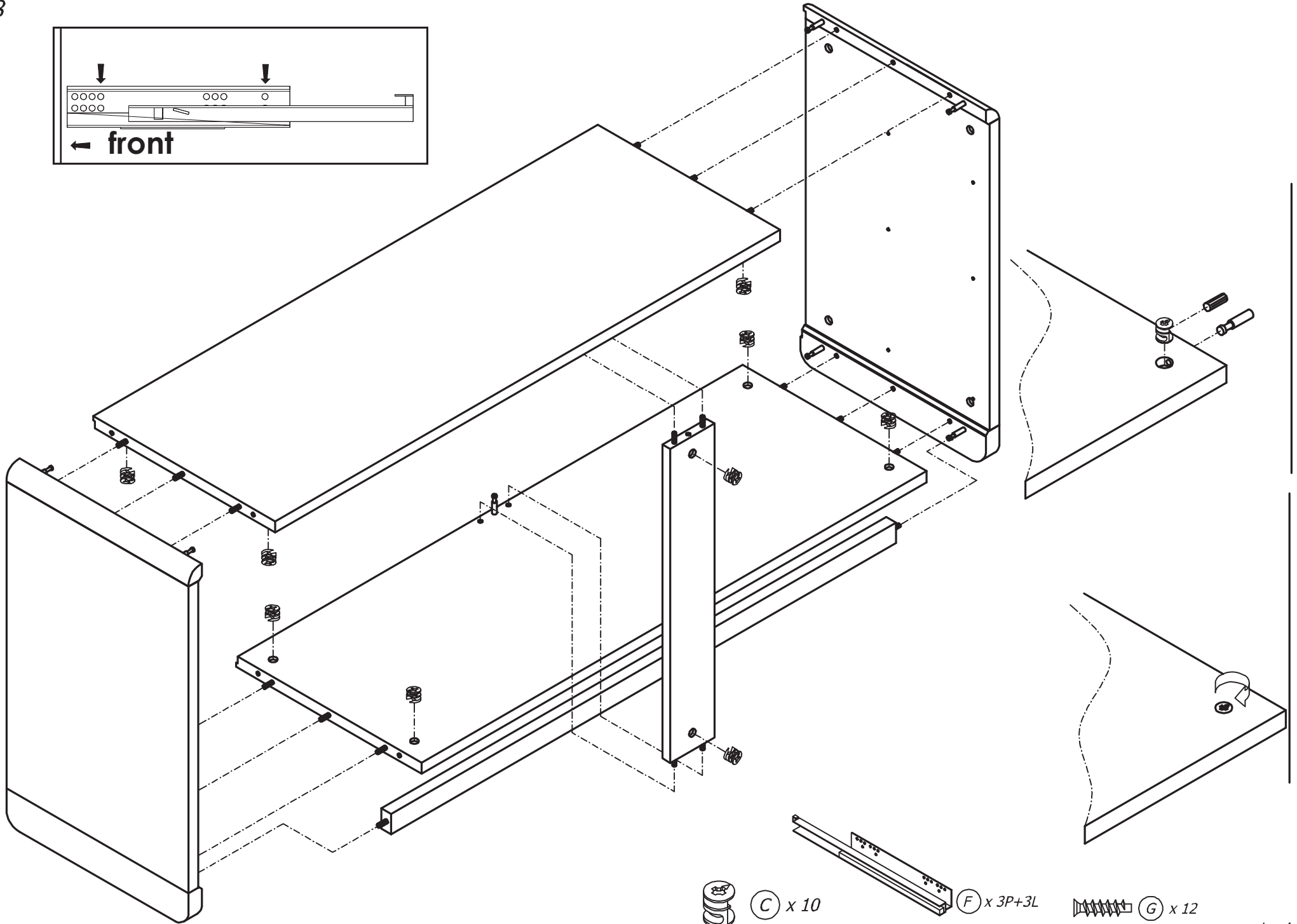
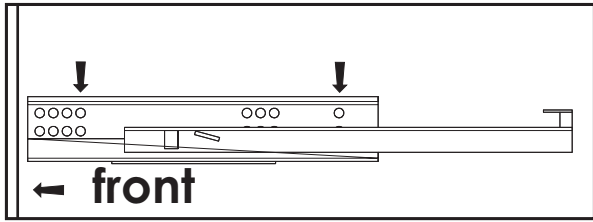
 (B) x 8

7



 (C) x 8

8



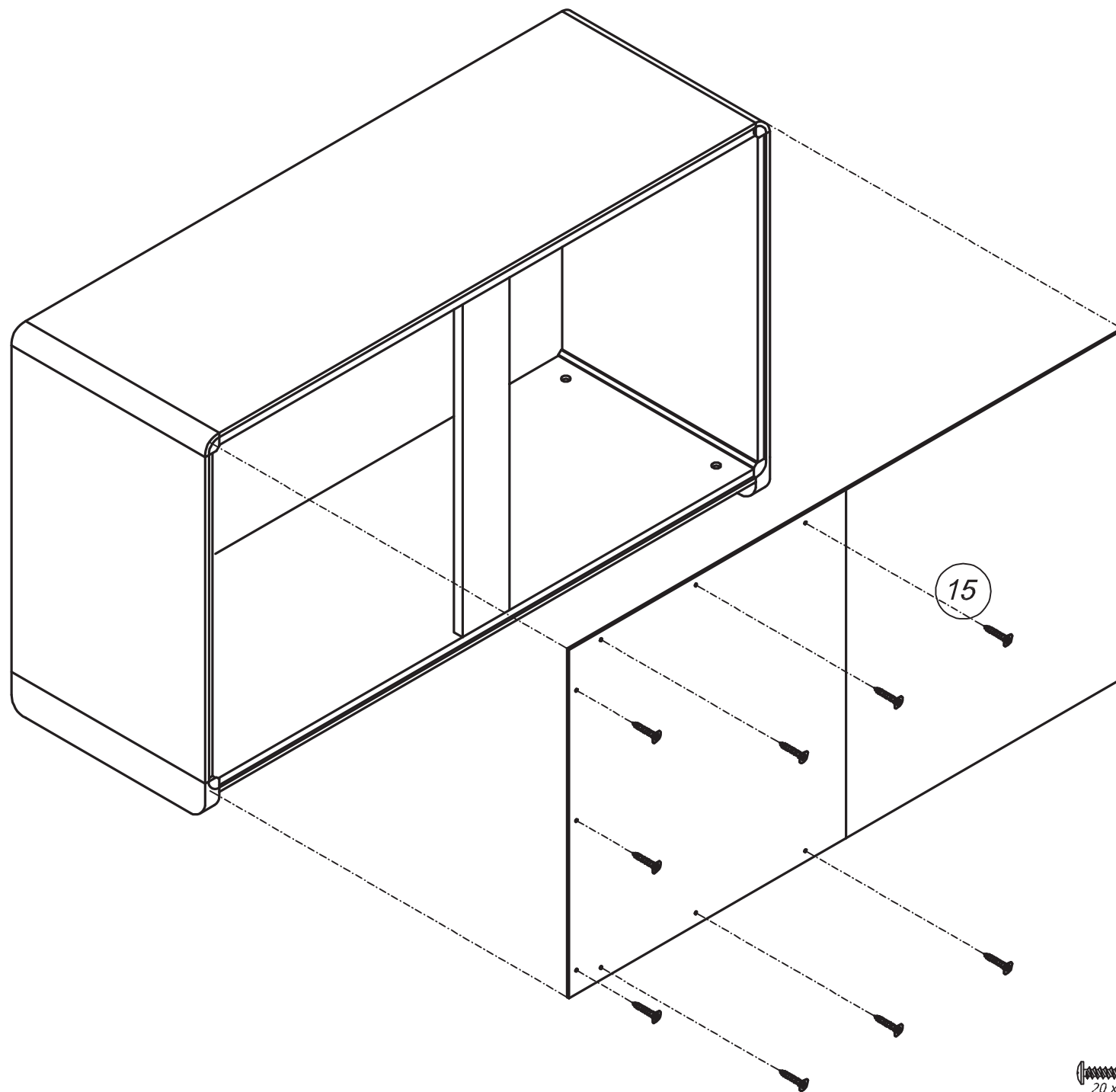
C x 10



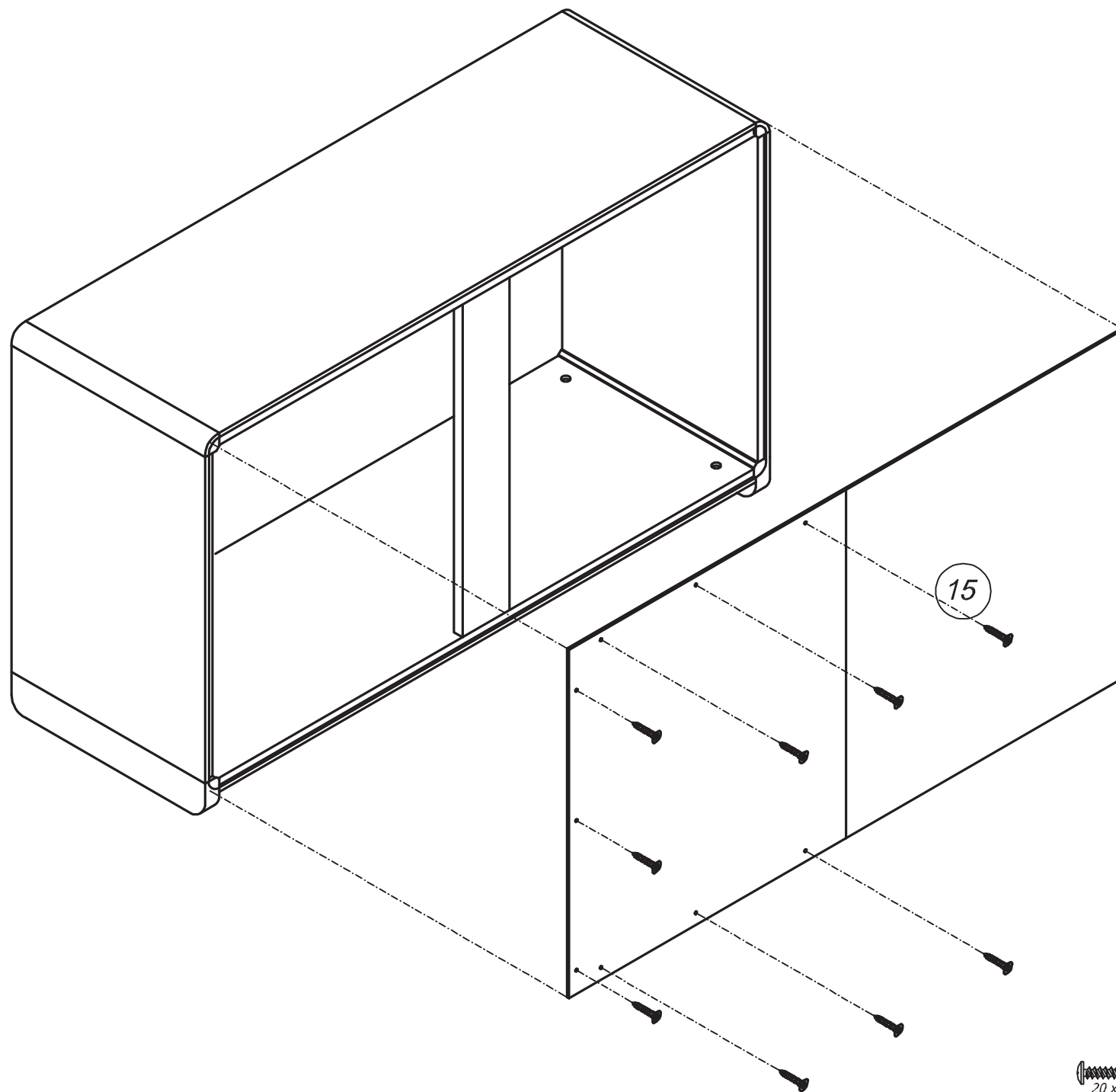
F x 3P+3L



G x 12

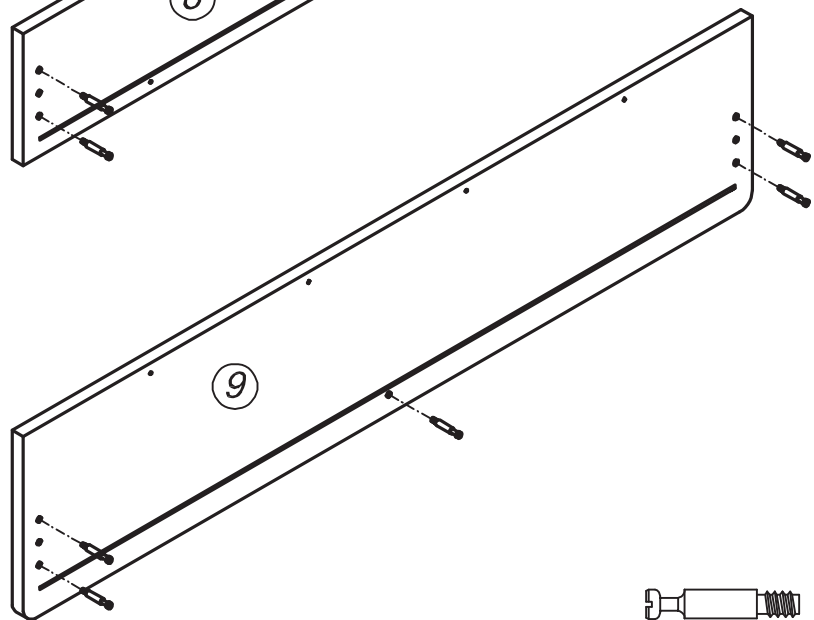
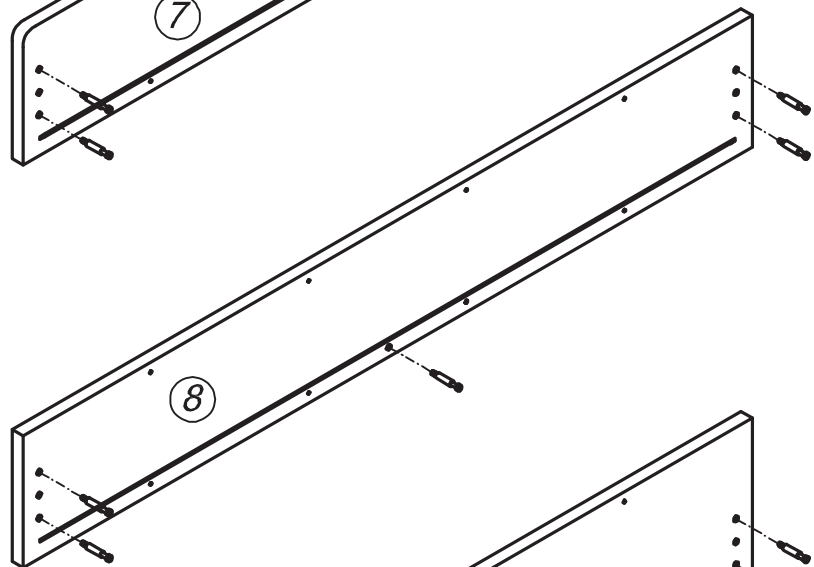
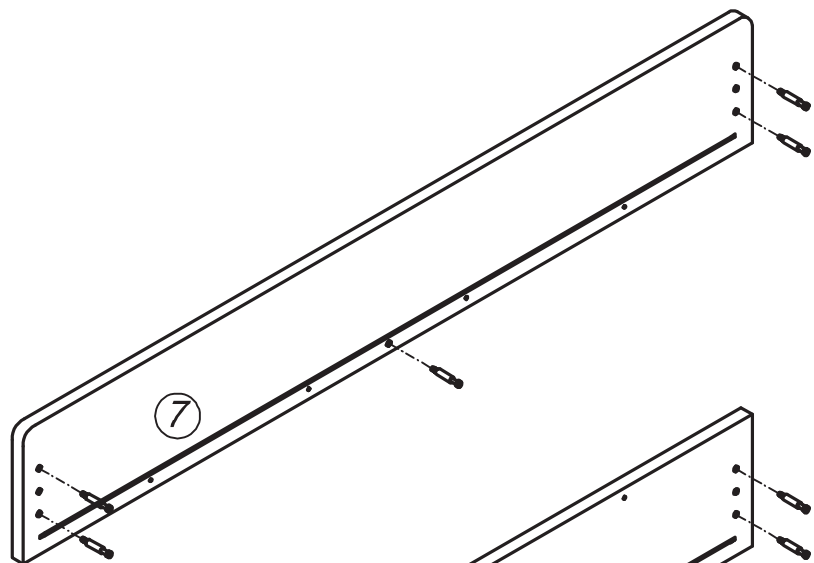


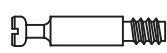
 20 x 3  x 18



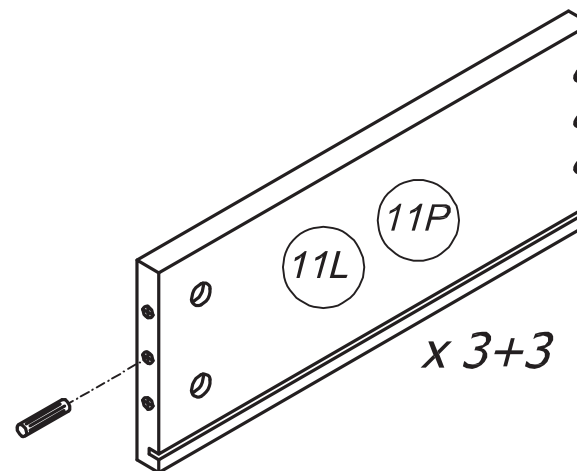
 20 x 3  x 18

11



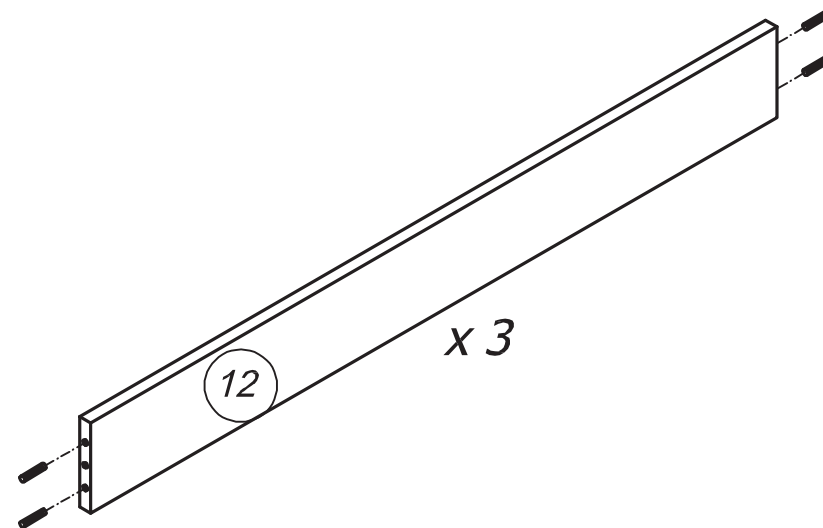
 (B) x 15

12



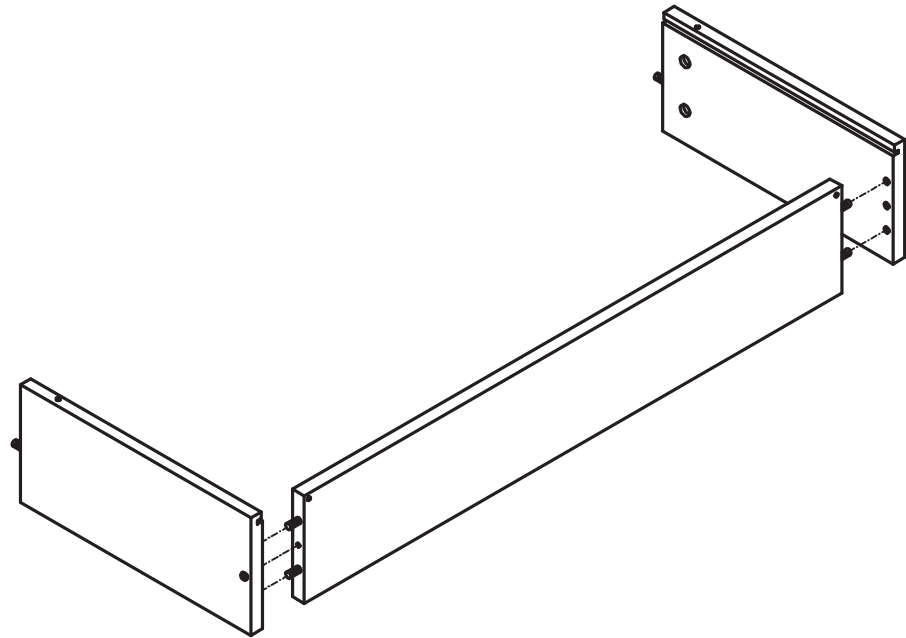
 (A) x 6

13

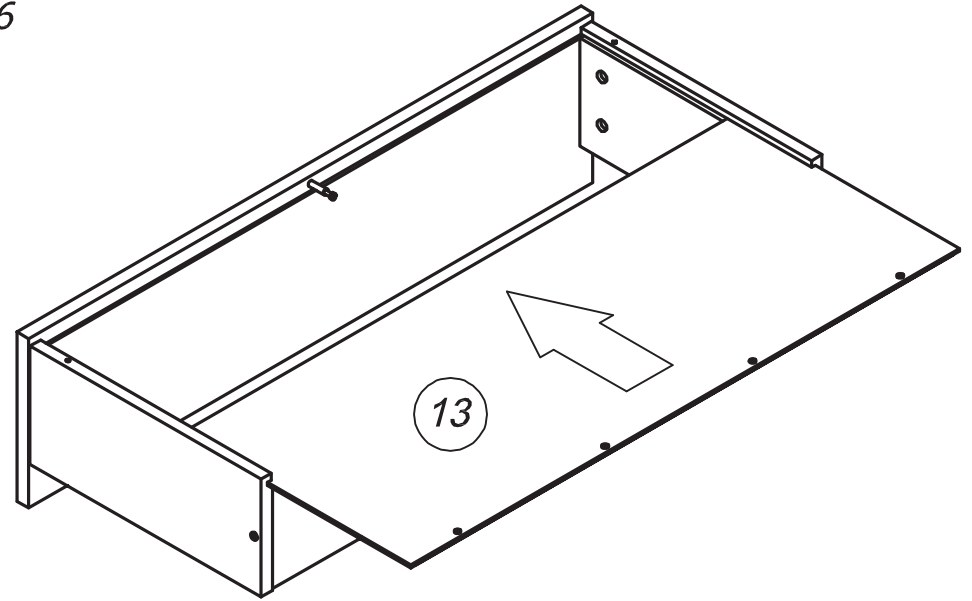


 (A) x 12
str 7/10

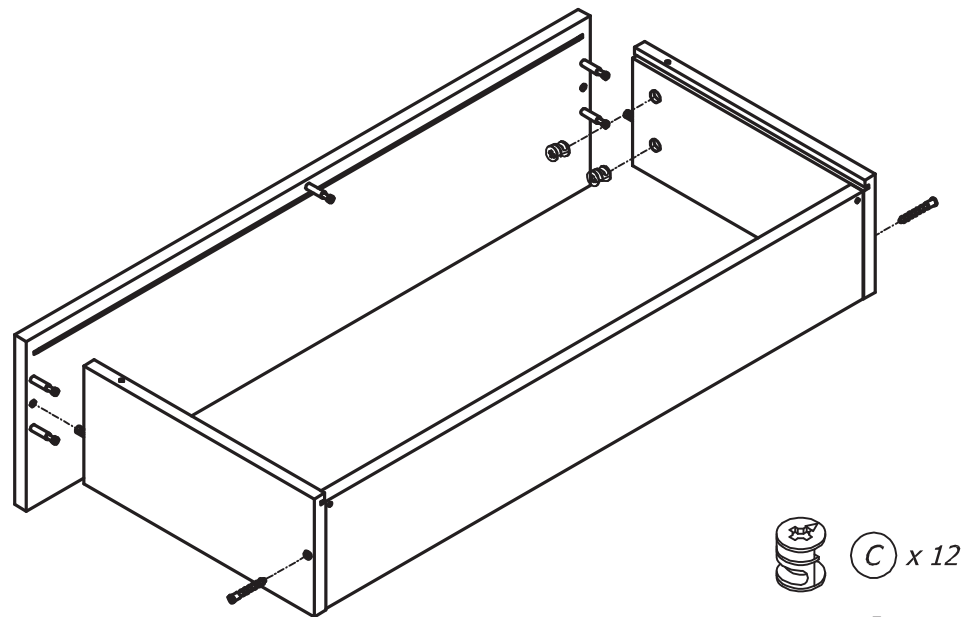
14




16



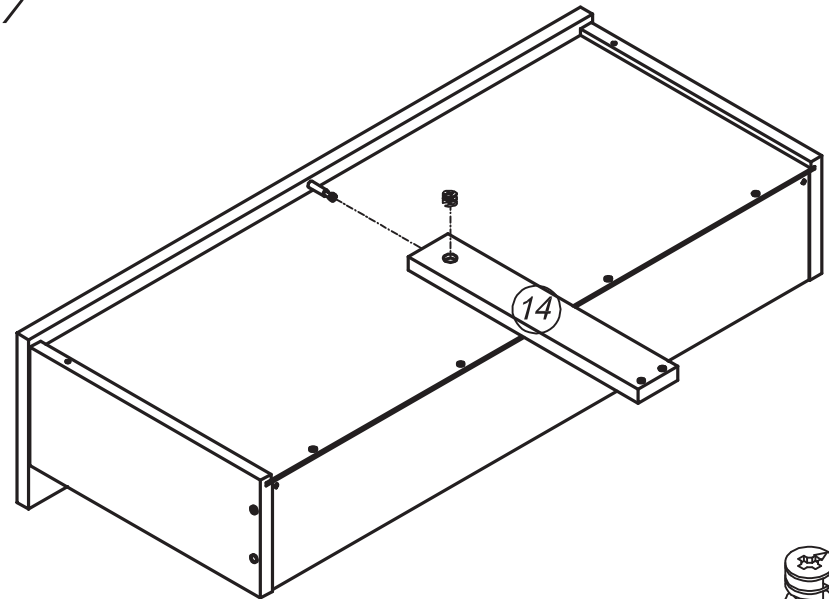
15



 C x 12

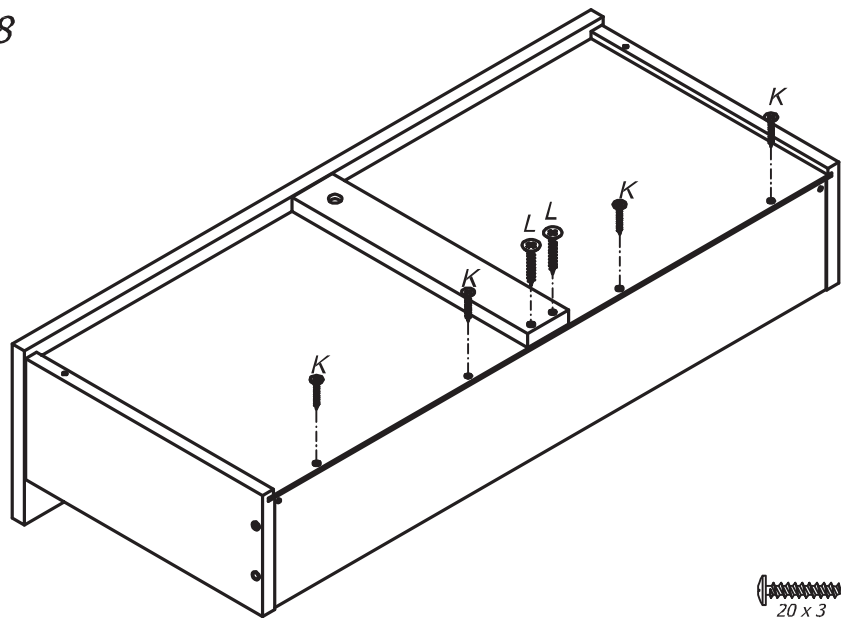
 E x 6

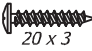

17



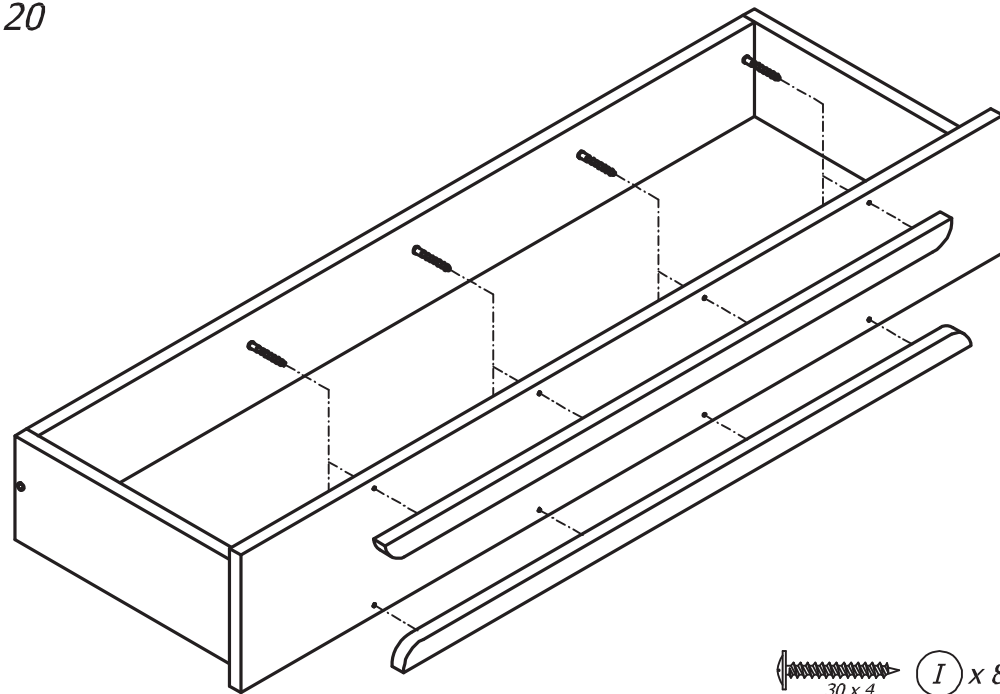
 C x 3

18



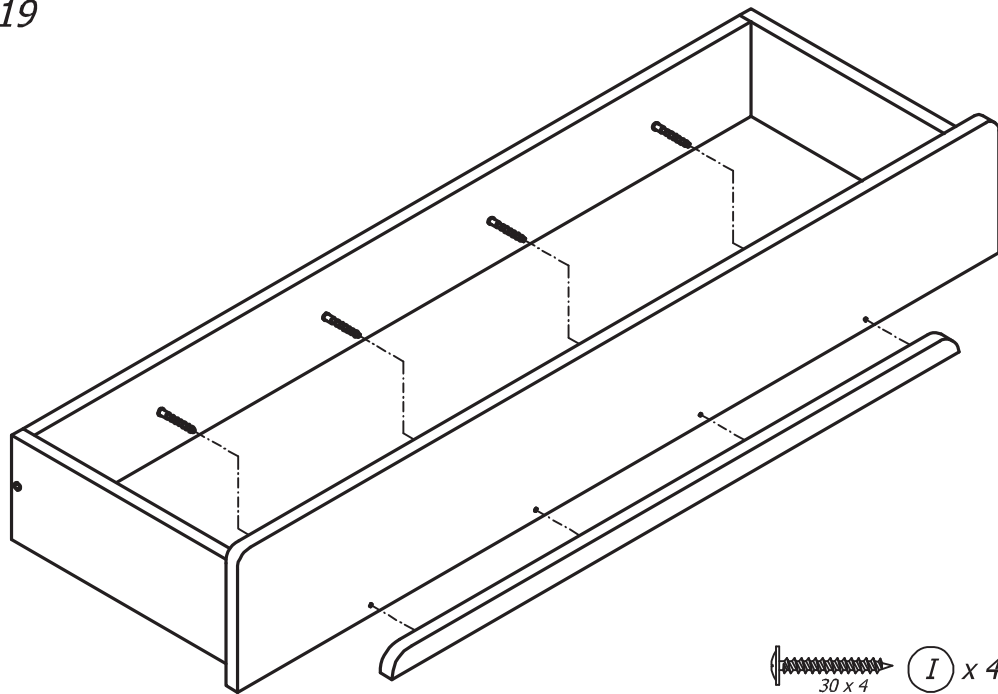
 $\text{K} \times 12$
 $\text{L} \times 6$

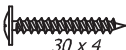
20



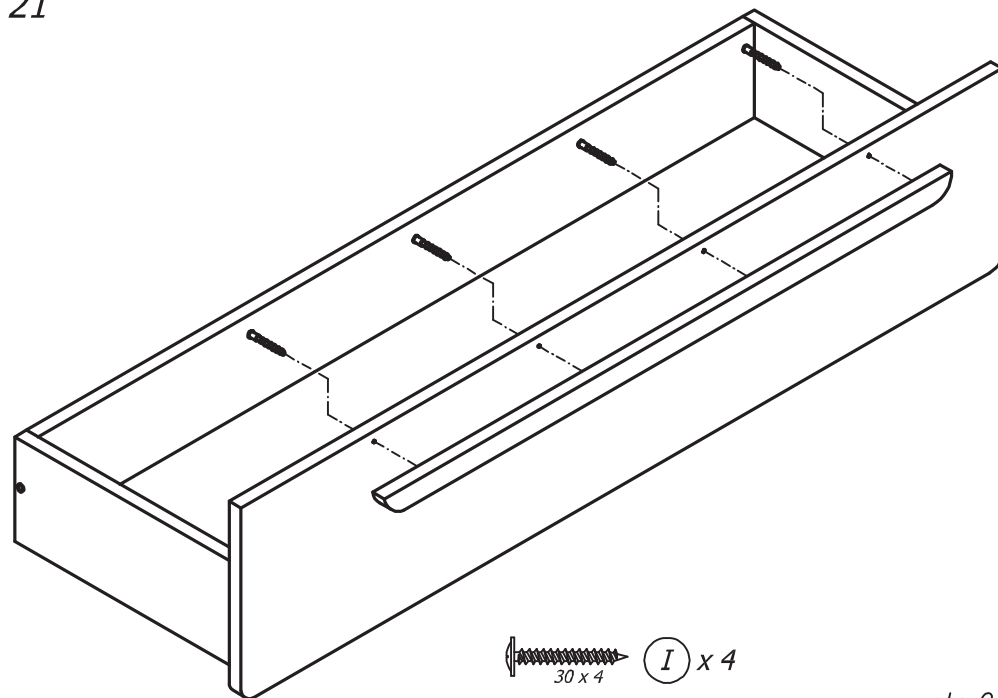
 $\text{I} \times 8$

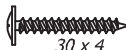
19



 $\text{I} \times 4$

21



 $\text{I} \times 4$

