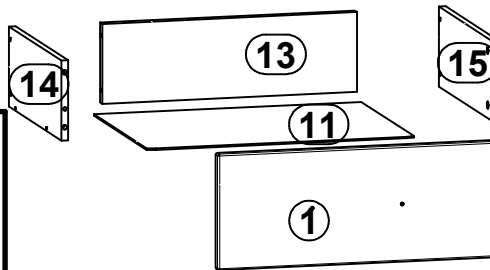
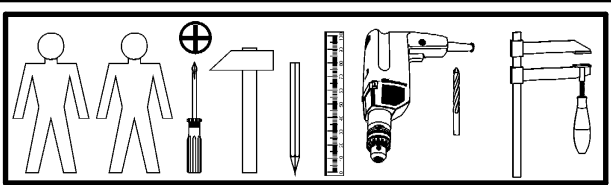
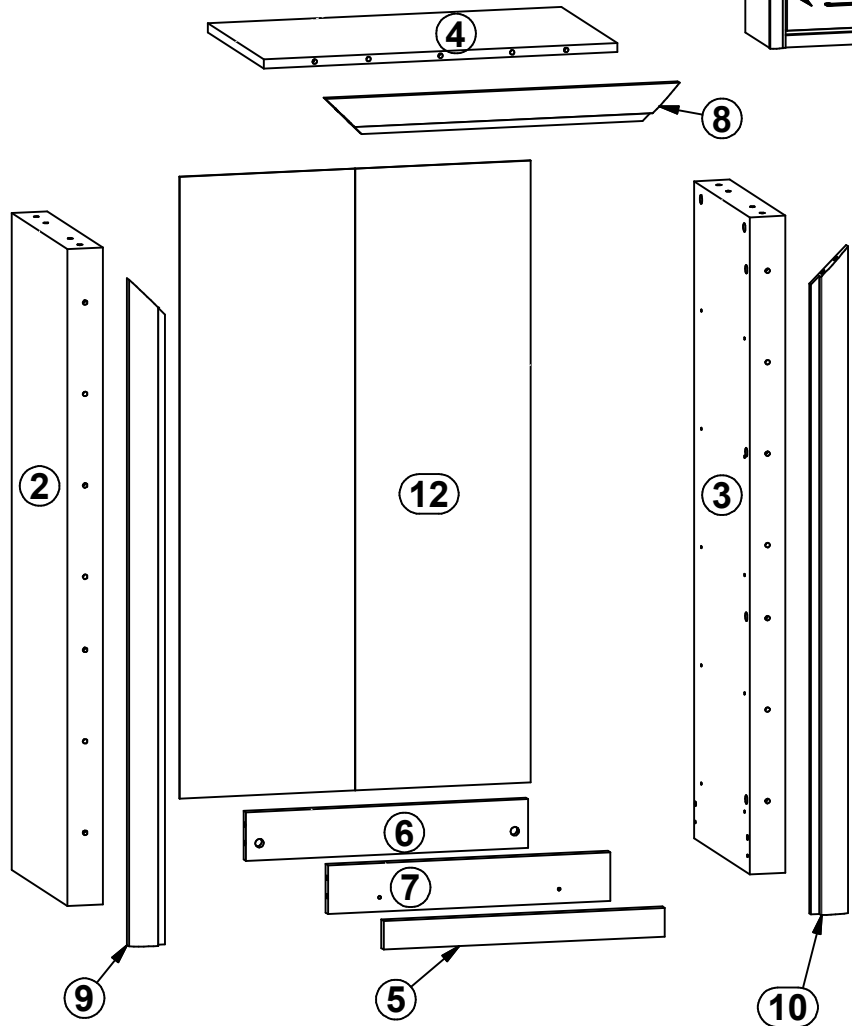
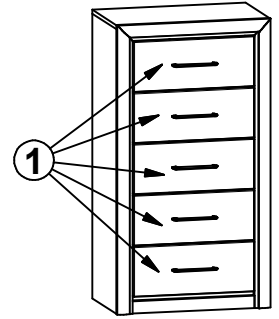
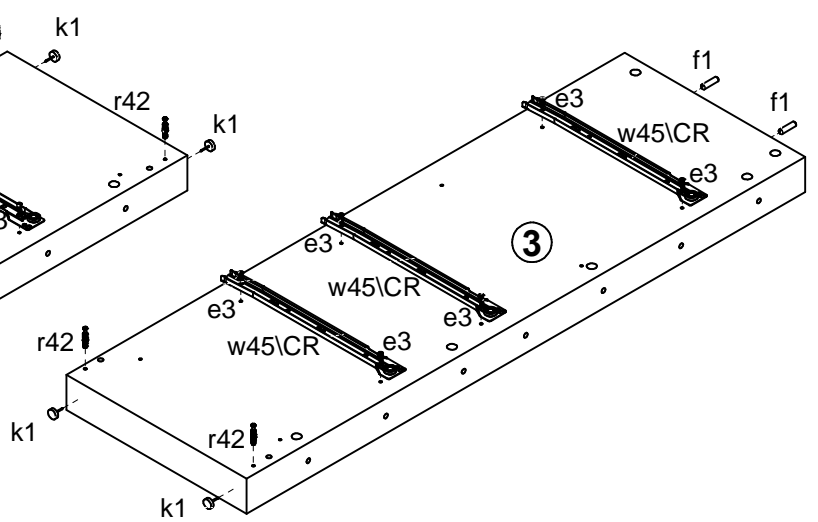
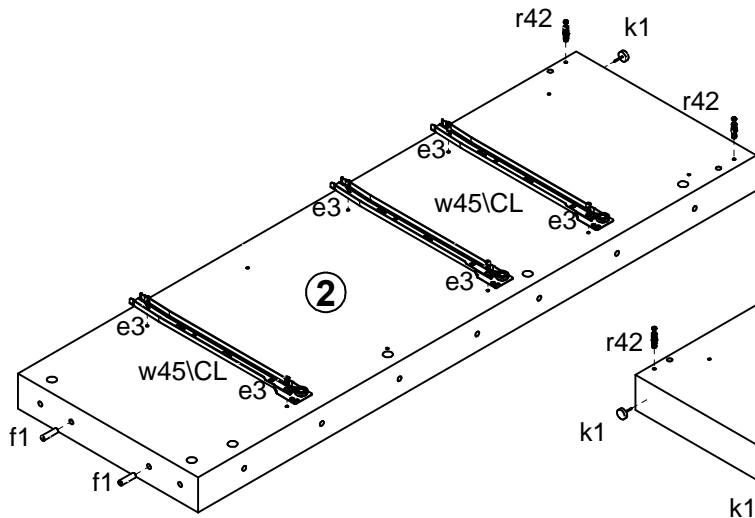
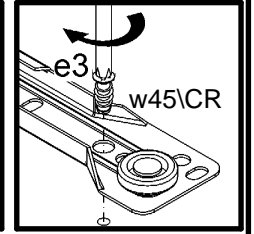
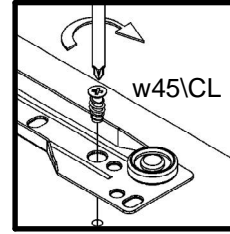
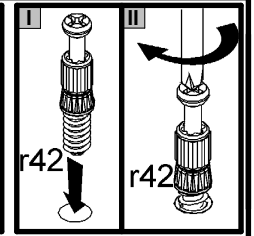
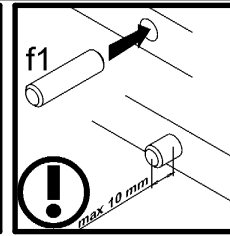
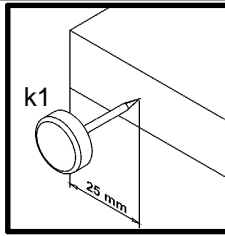
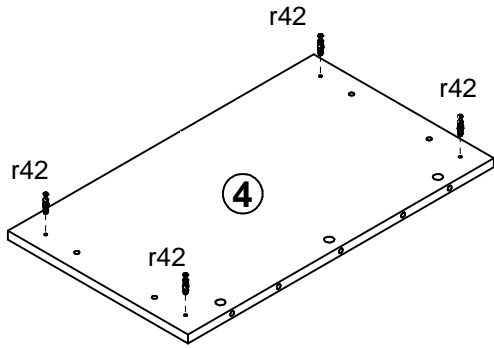


A	B	C	D
1	S337-0018	496	203
2	S337-1029	1150	371
3	S337-1030	1150	371
4	S337-2009	630	371
5	S337-4012	501	50
6	S337-4020	503	85
7	S337-4021	503	85
8	S337-5013	631	65
9	S337-5032	1167	65
10	S337-5033	1167	65
11	S337-9011	476	355
12	S337-9308	1088	625
13	ZS3-5684	454	140
14	ZS4-531	350	140
15	ZS4-532	350	140

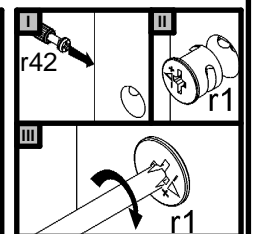
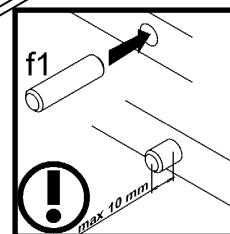
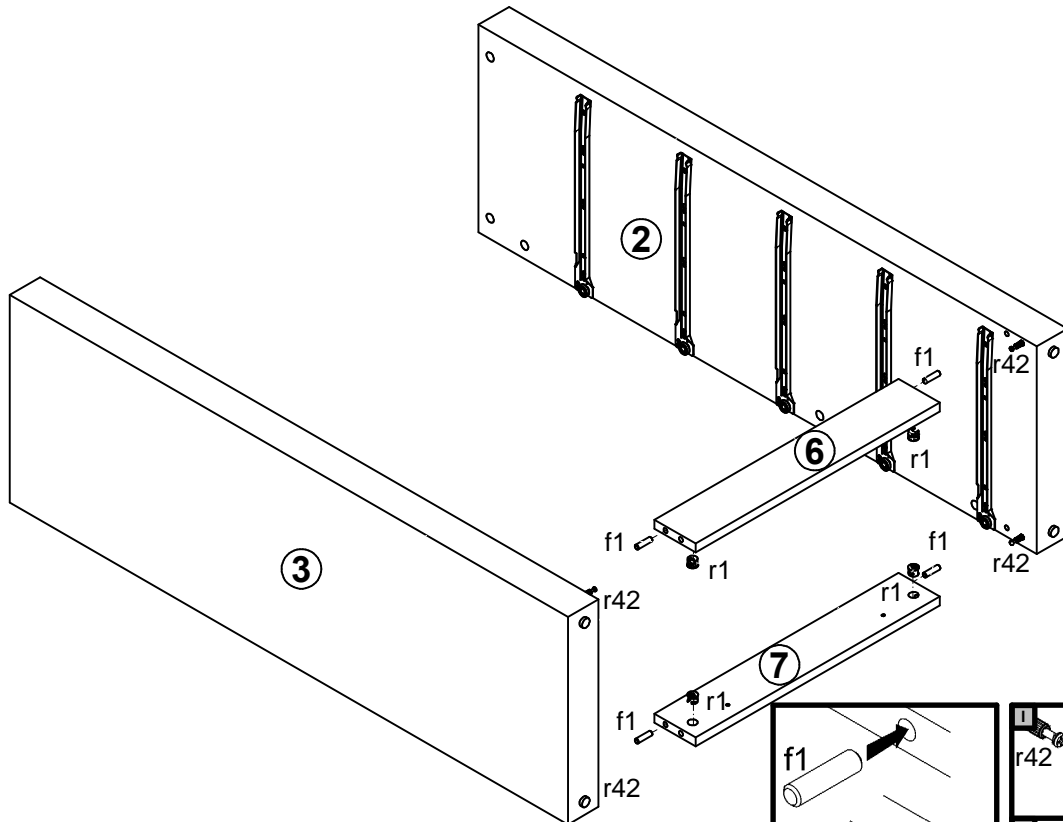


5x 160 mm c431	20x Ø6x13 mm e3	20x Ø5x9 mm e19	18x Ø8x30 mm f1	10x Ø6x30 mm f9	20x Ø6,5x40 mm f25	10x M4x22 mm j30	4x k1	30x l1
24x Ø3,5x16 mm p38	2x Ø4x28 mm p94	23x Ø15x12 mm #16 r1	2x r10	20x Ø12x10,5 mm #12 r15	39x 20-11 r42	5x 350 mm w45\CL	5x 350 mm w45\CR	5x 350 mm w45\DL
5x 350 mm w45\DR	4x Ø15 s51							
						1x n26\1	1x Ø3,5x16 mm p38	

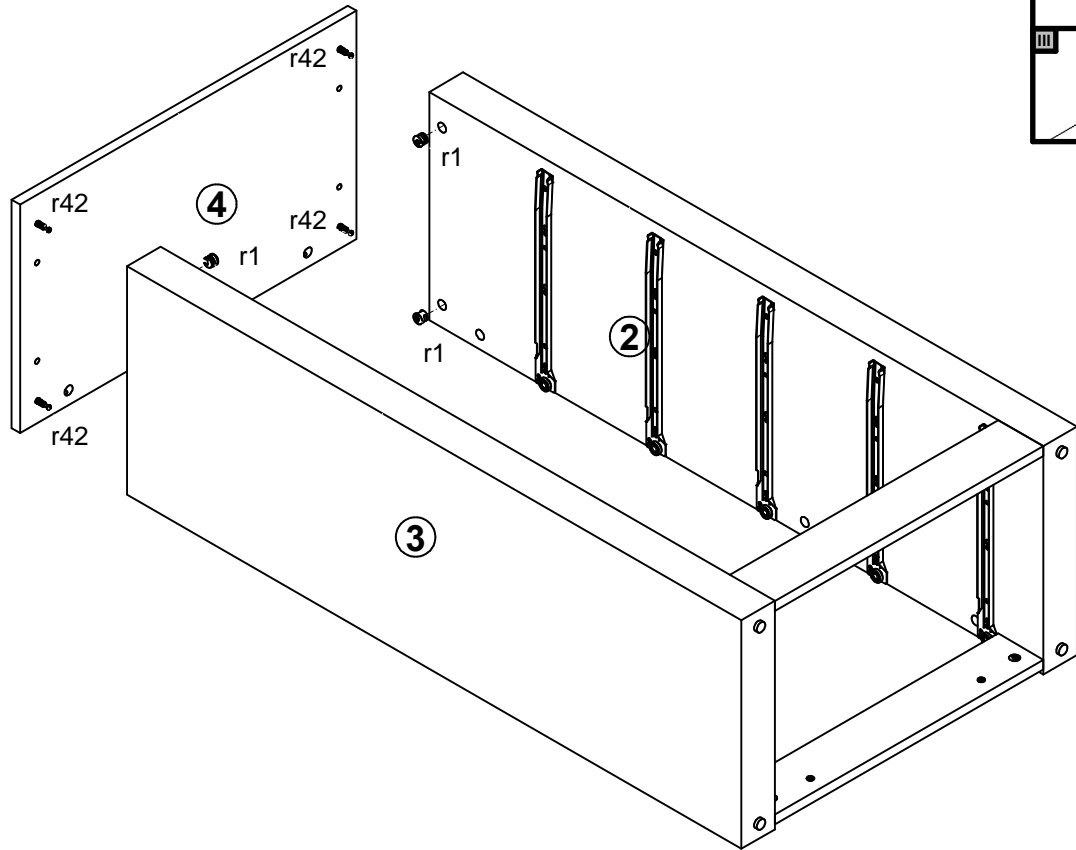
1



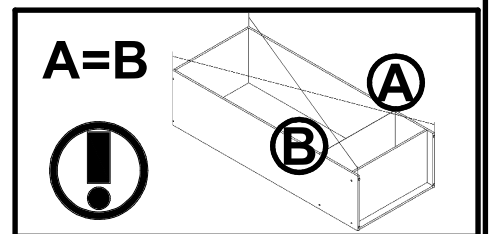
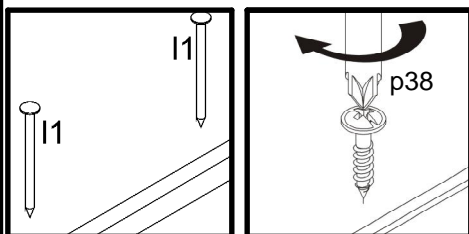
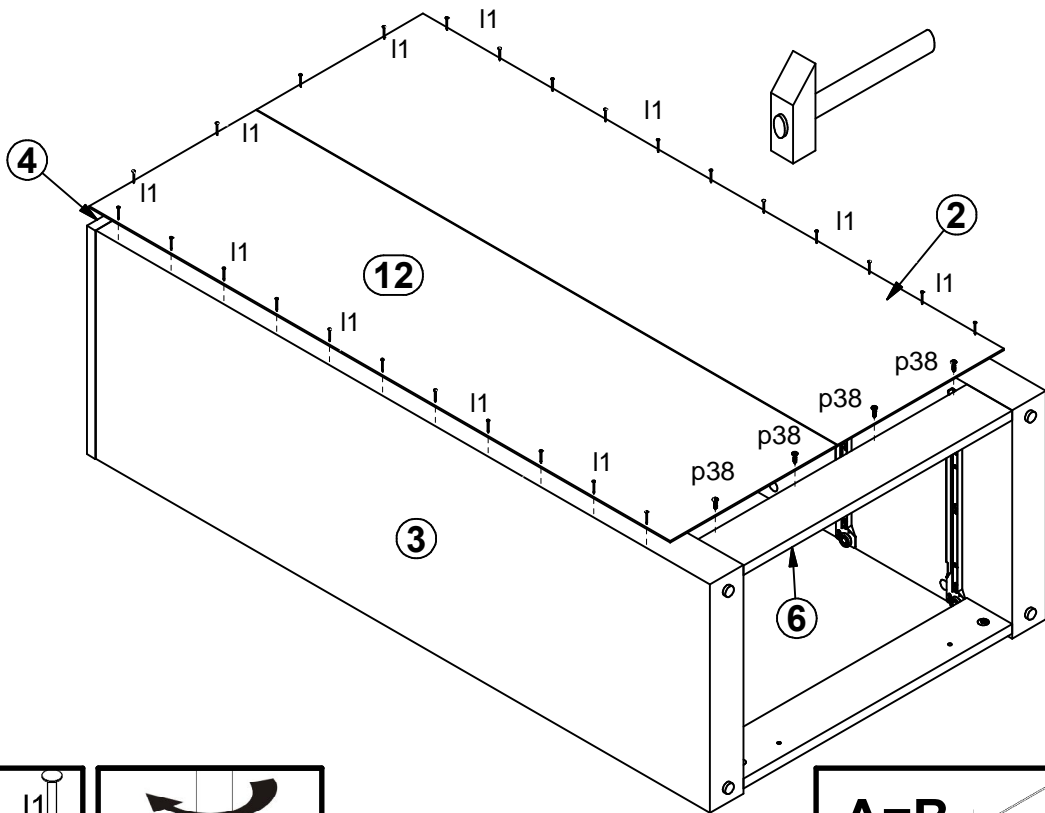
2



3

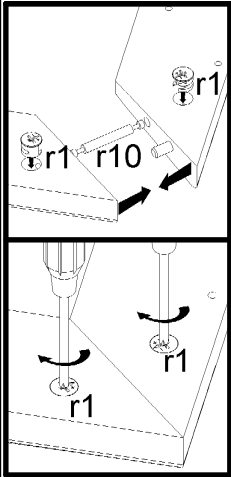
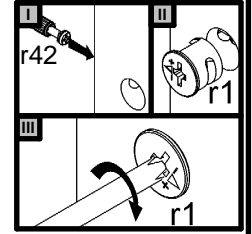
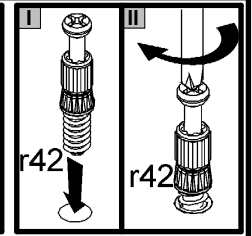
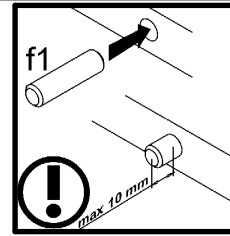
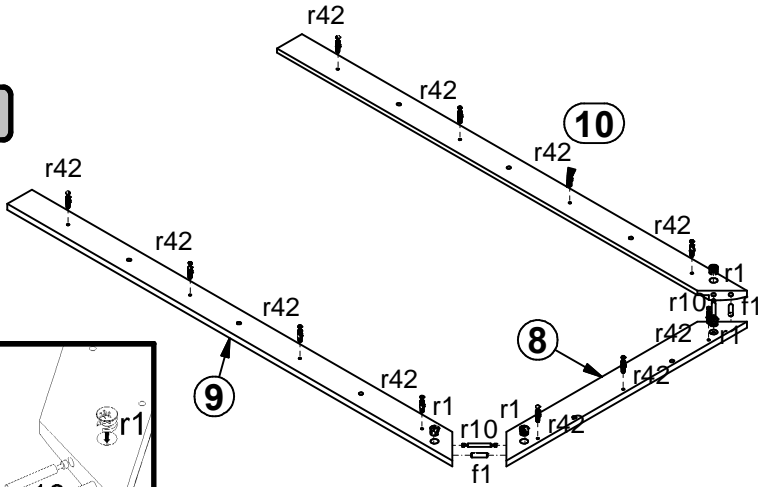


4

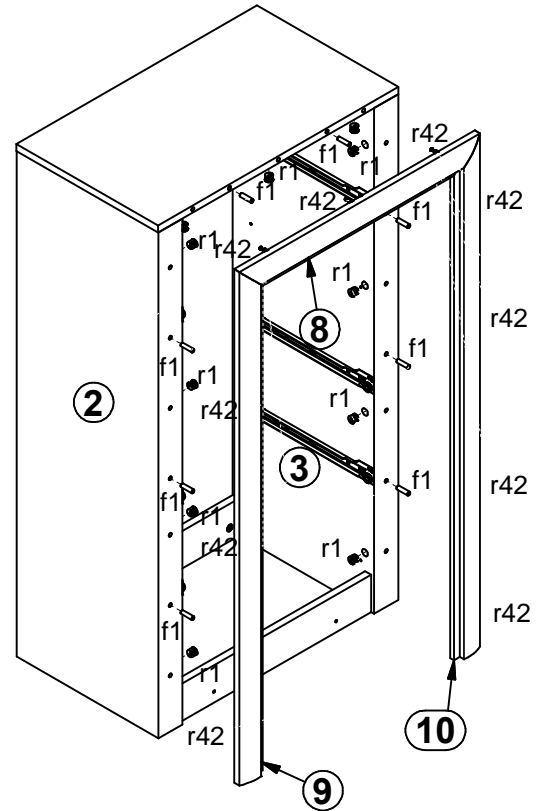


5

I

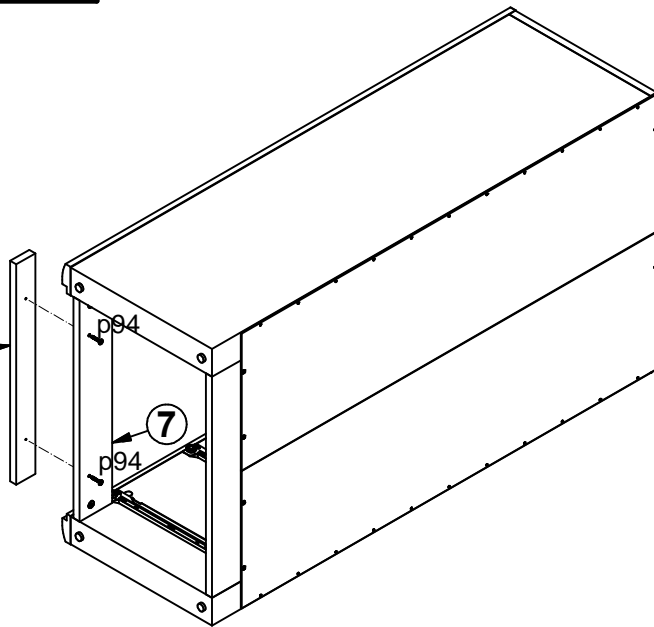


II

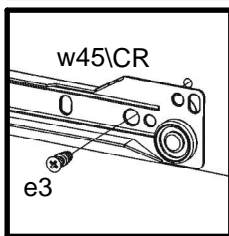
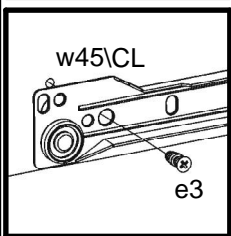
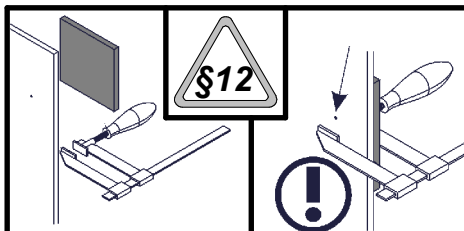
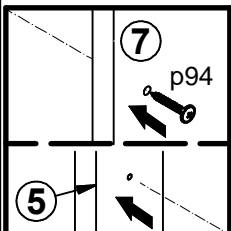
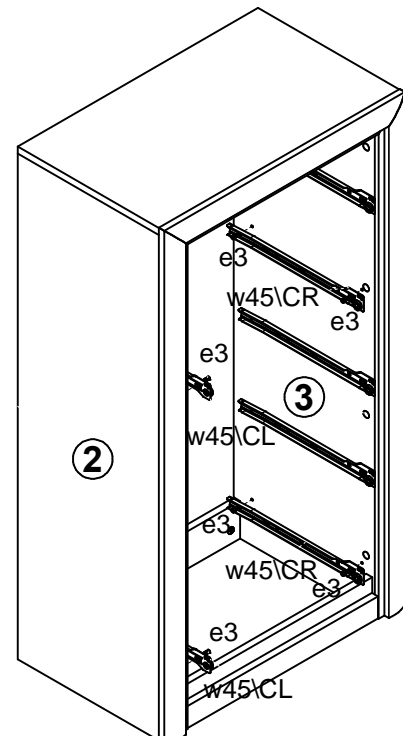


III

III



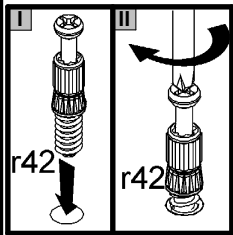
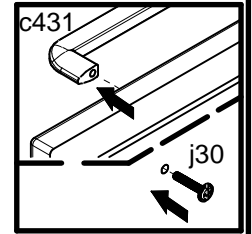
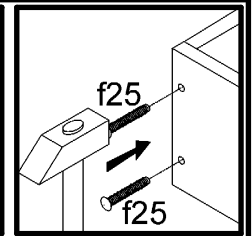
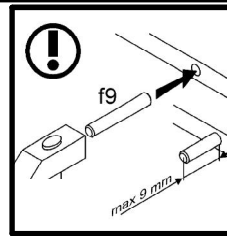
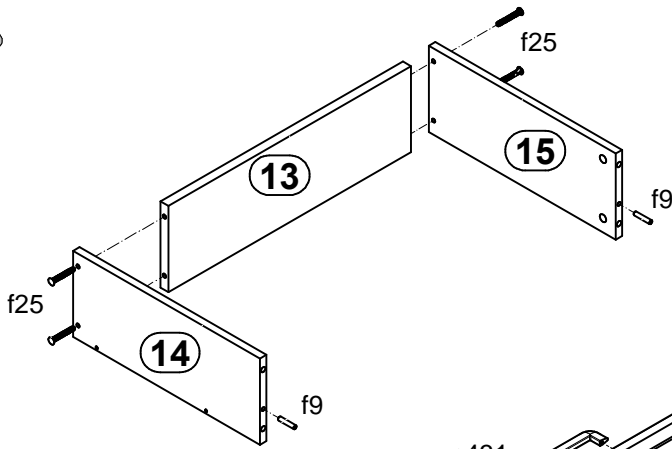
IV



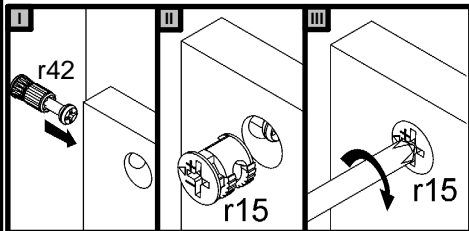
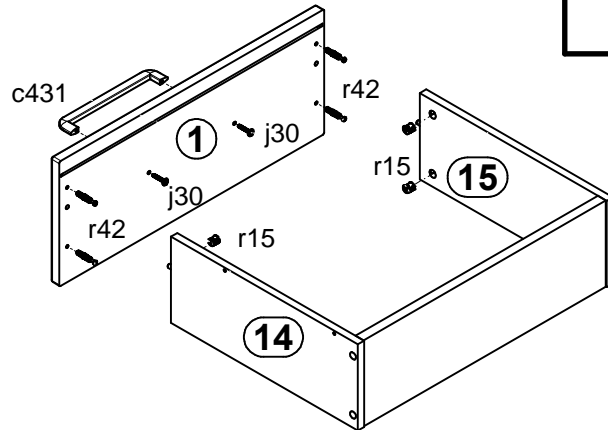
6



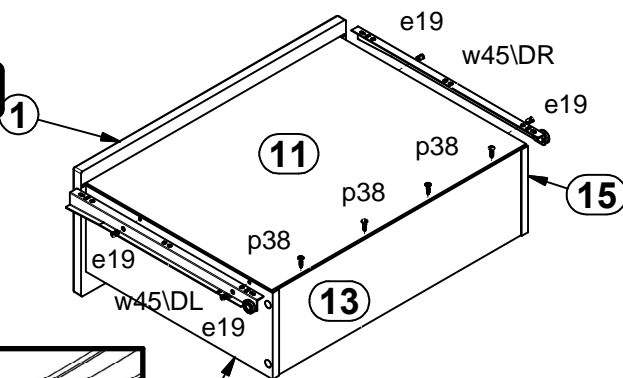
I



II



III



IV

