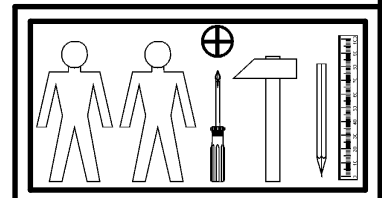
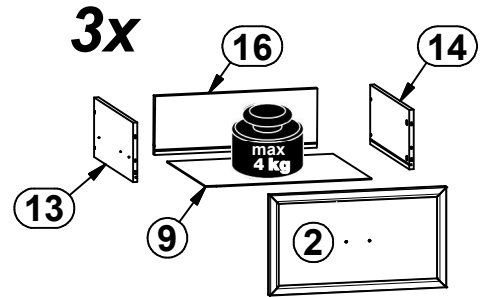
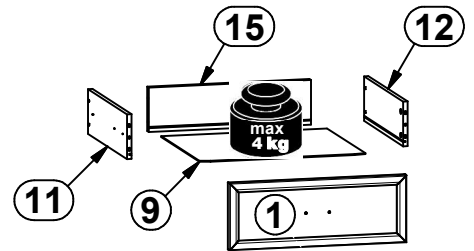
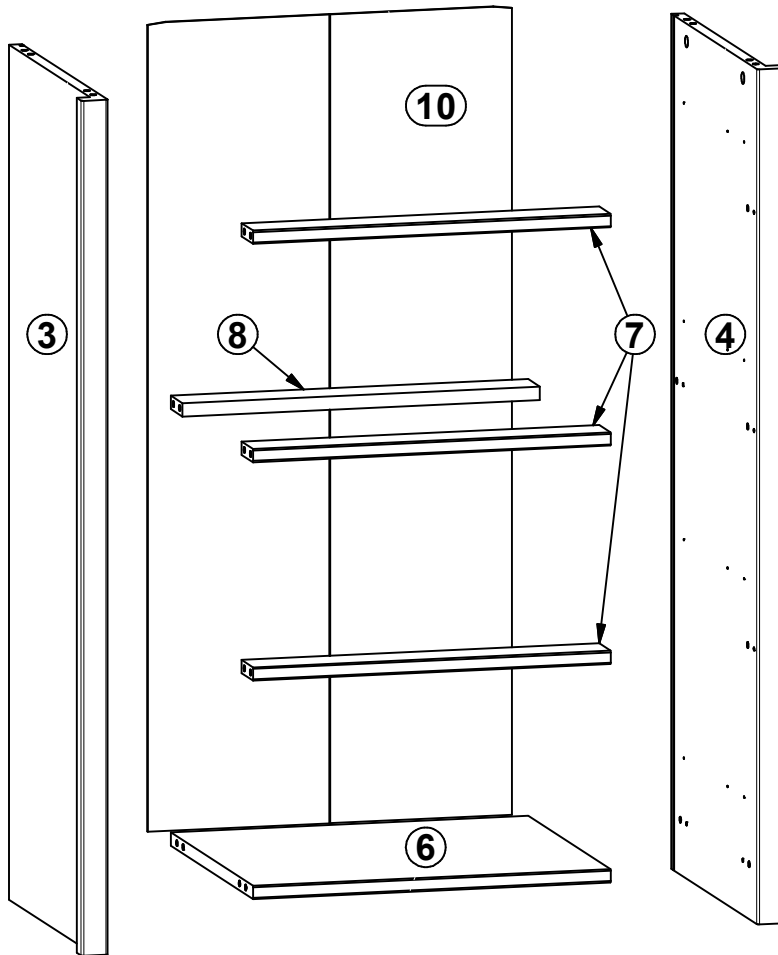
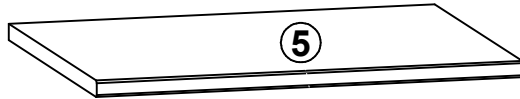
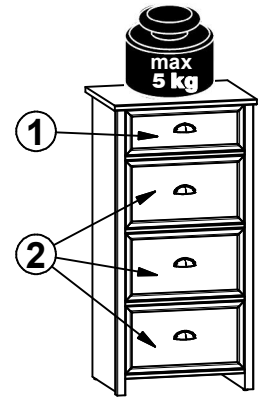


**A**

# CANNET

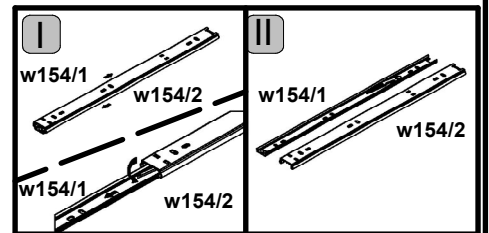
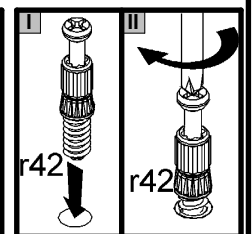
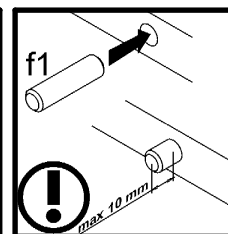
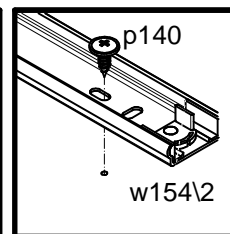
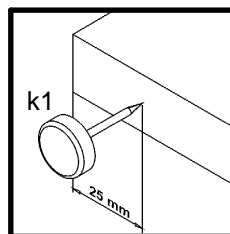
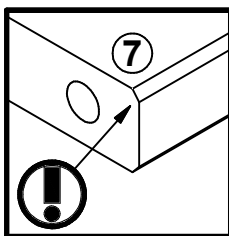
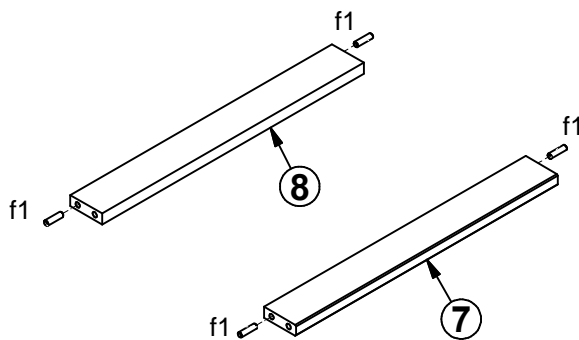
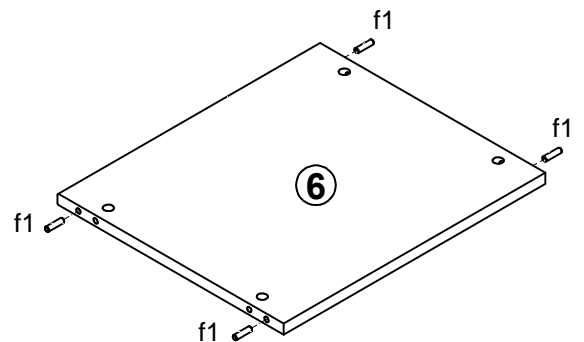
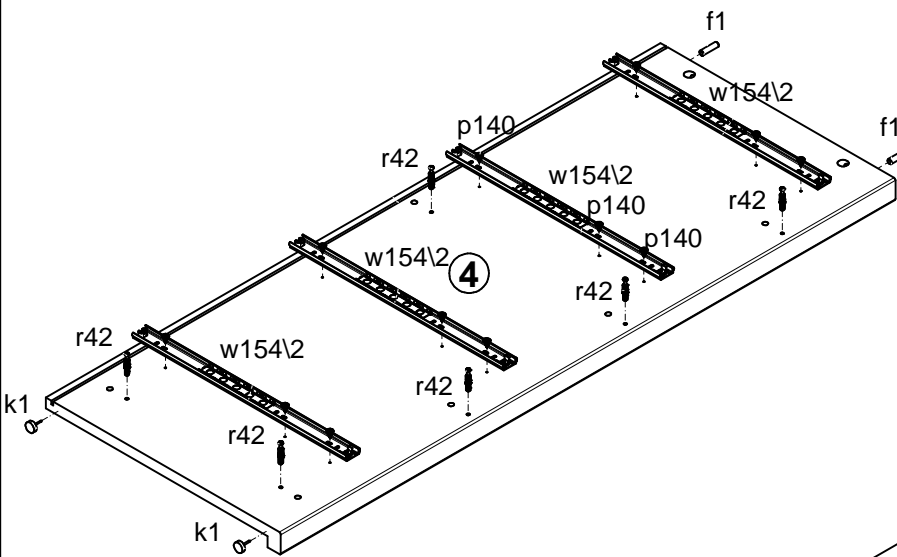
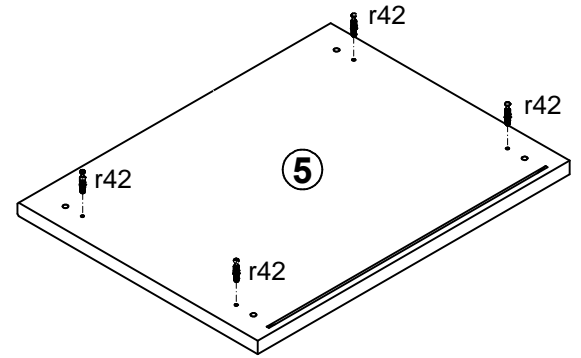
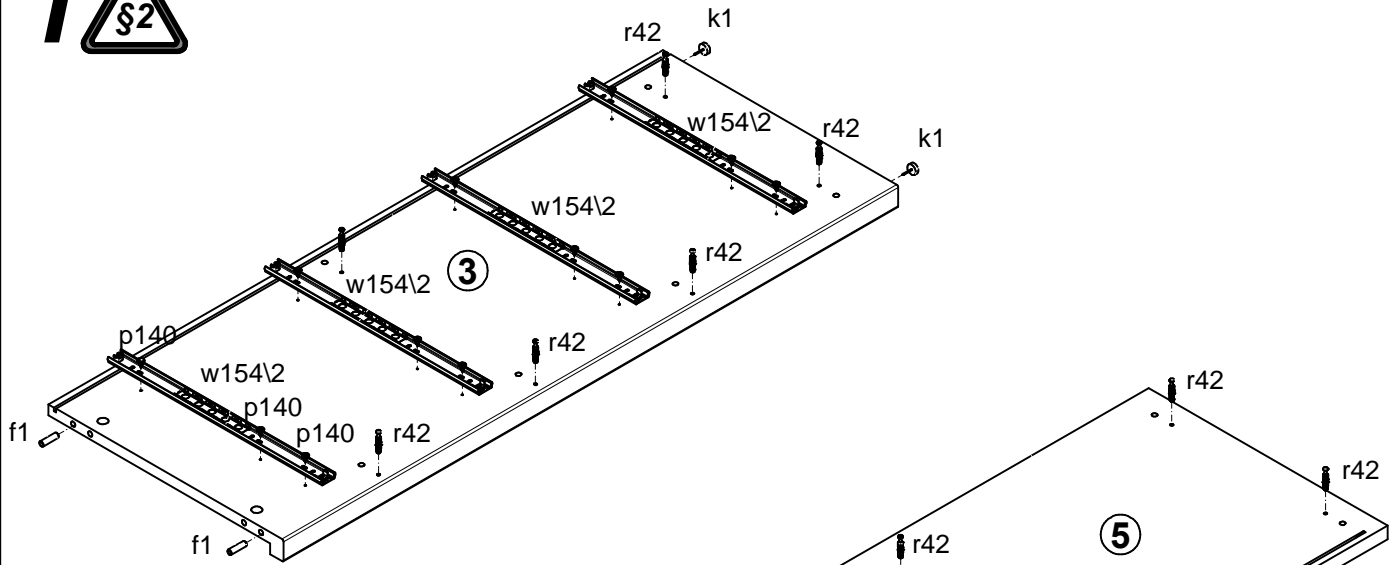
**S351-KOM4S/60**

A	B	C	D	A	B	C	D
1	S351-0001	484	180	2/2	9	S351-9001	455 393 1/2
2	S351-0011	484	270	2/2	10	S351-9306	1089 499 1/2
3	S351-1017	1151	440	1/2	11	ZK1-513	400 120 1/2
4	S351-1018	1151	440	1/2	12	ZK1-514	400 120 1/2
5	S351-2006	584	450	1/2	13	ZK1-515	400 160 1/2
6	S351-3013	490	423	1/2	14	ZK1-516	400 160 1/2
7	S351-4003	490	60	1/2	15	ZS1-6557	445 120 1/2
8	S351-4005	490	60	1/2	16	ZS1-6562	445 160 1/2

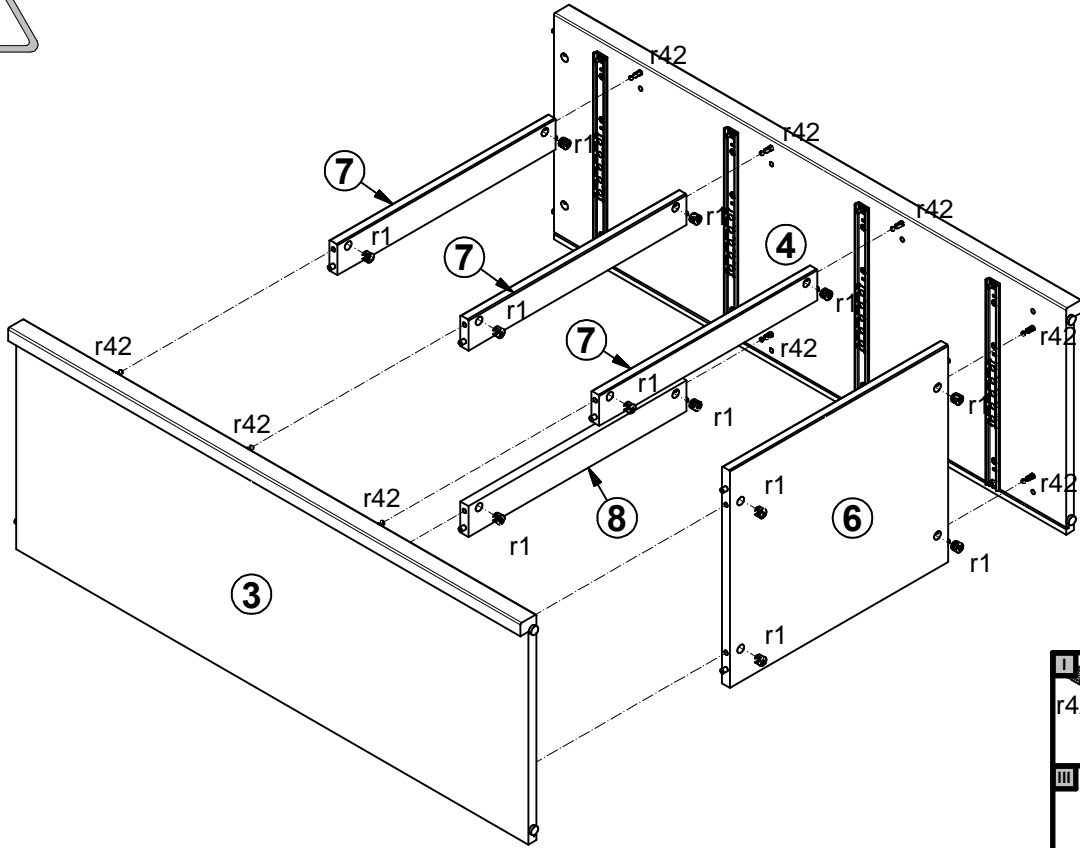


4x 64 mm <b>c434</b>	16x Ø8x30 mm <b>f1</b>	16x Ø6.5x40 mm <b>f25</b>	8x Ø6x30 mm <b>f9</b>	8x M4x10 mm <b>j106</b>	4x <b>k1</b>	10x <b>l1</b>	8x <b>l2</b>	48x Ø3.5x12 mm <b>p140</b>
16x Ø15x12 mm #16 <b>r1</b>	16x Ø12x10.5 mm #12 <b>r15</b>	32x 20/11 <b>r42</b>	8x 400/670 mm <b>w154\1</b>	8x 400/670 mm <b>w154\2</b>				
					2x Ø16 <b>s2</b>	1x <b>n26\1</b>	1x Ø3.5x16 mm <b>p38</b>	

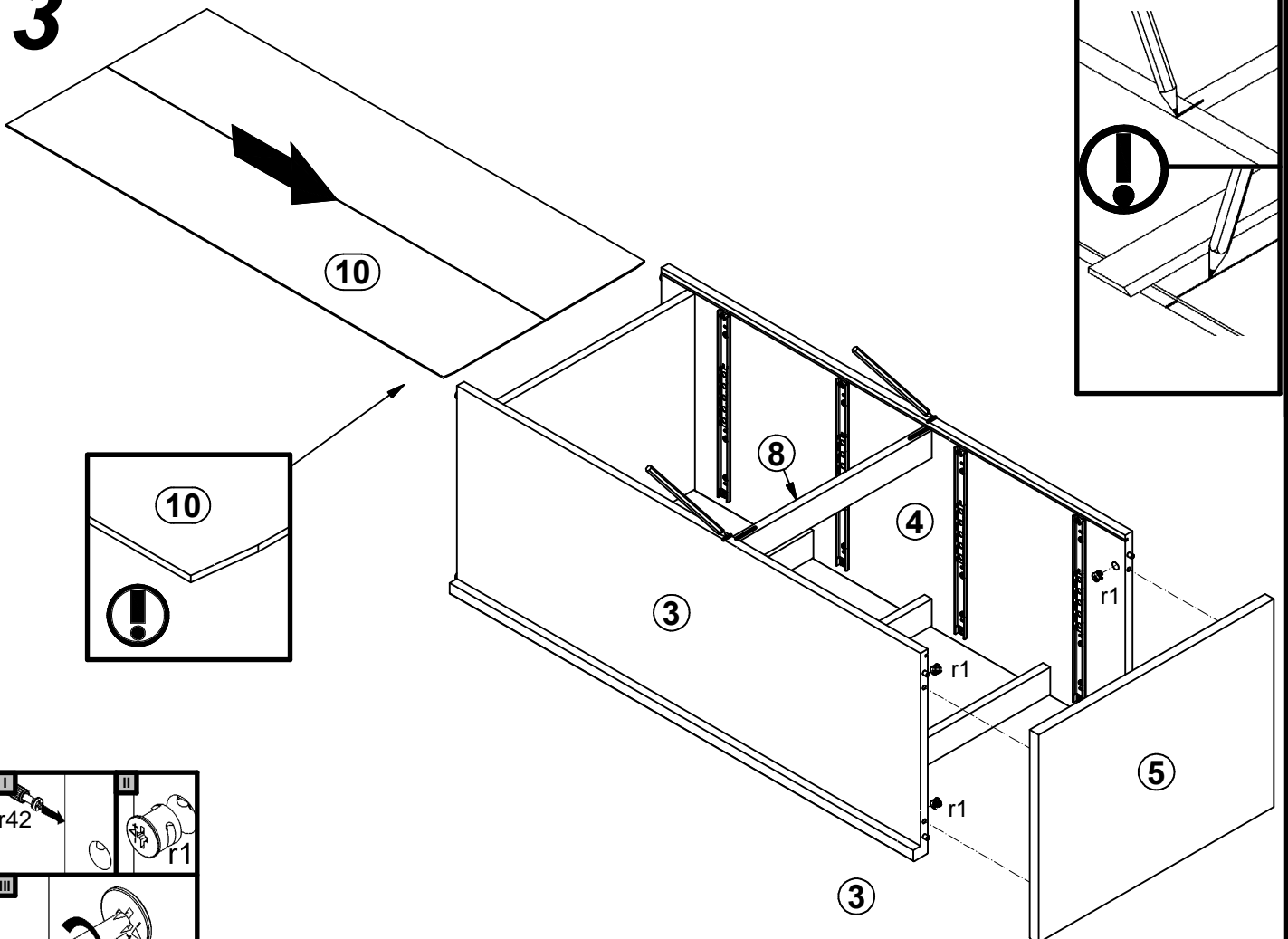
1 

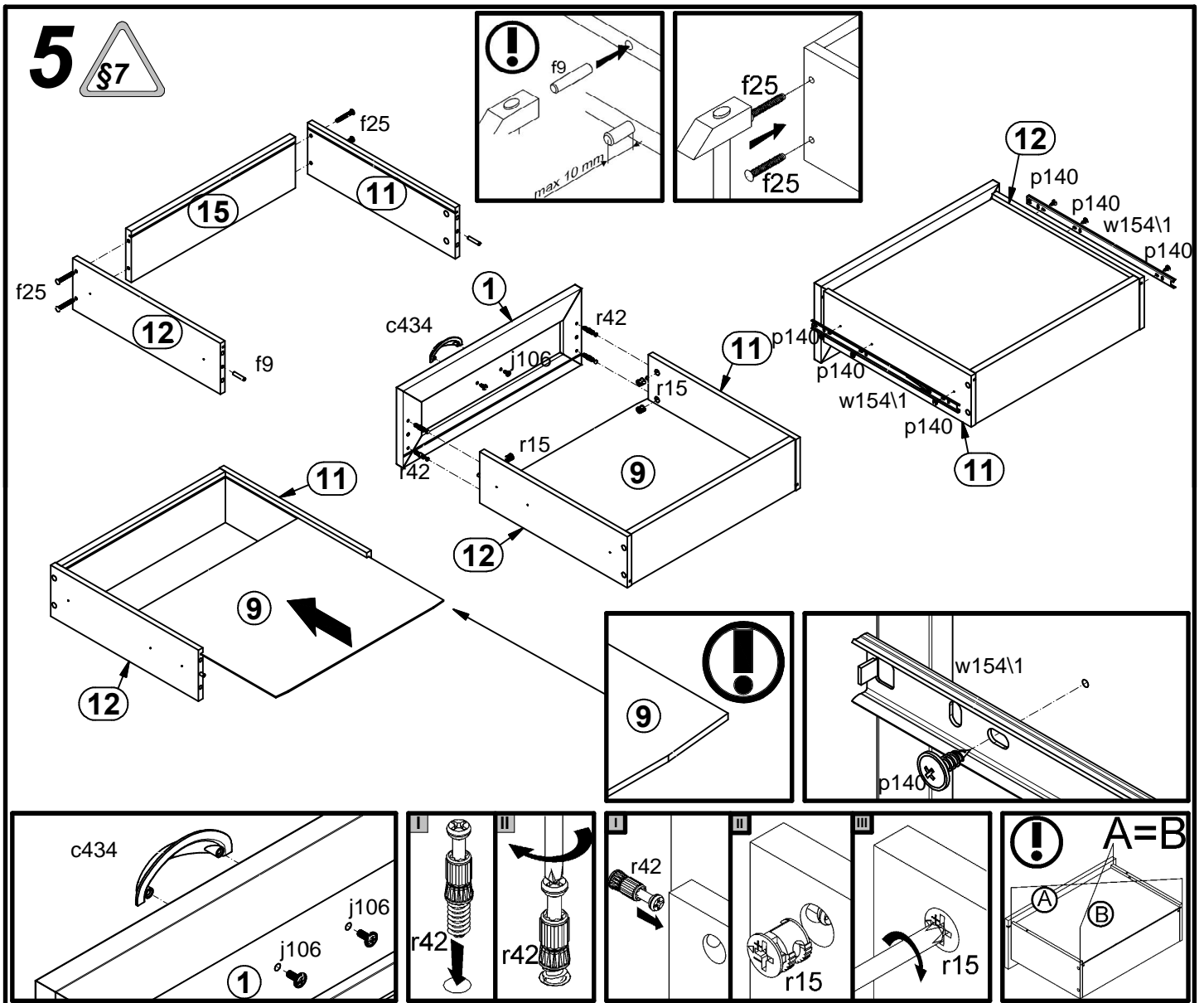
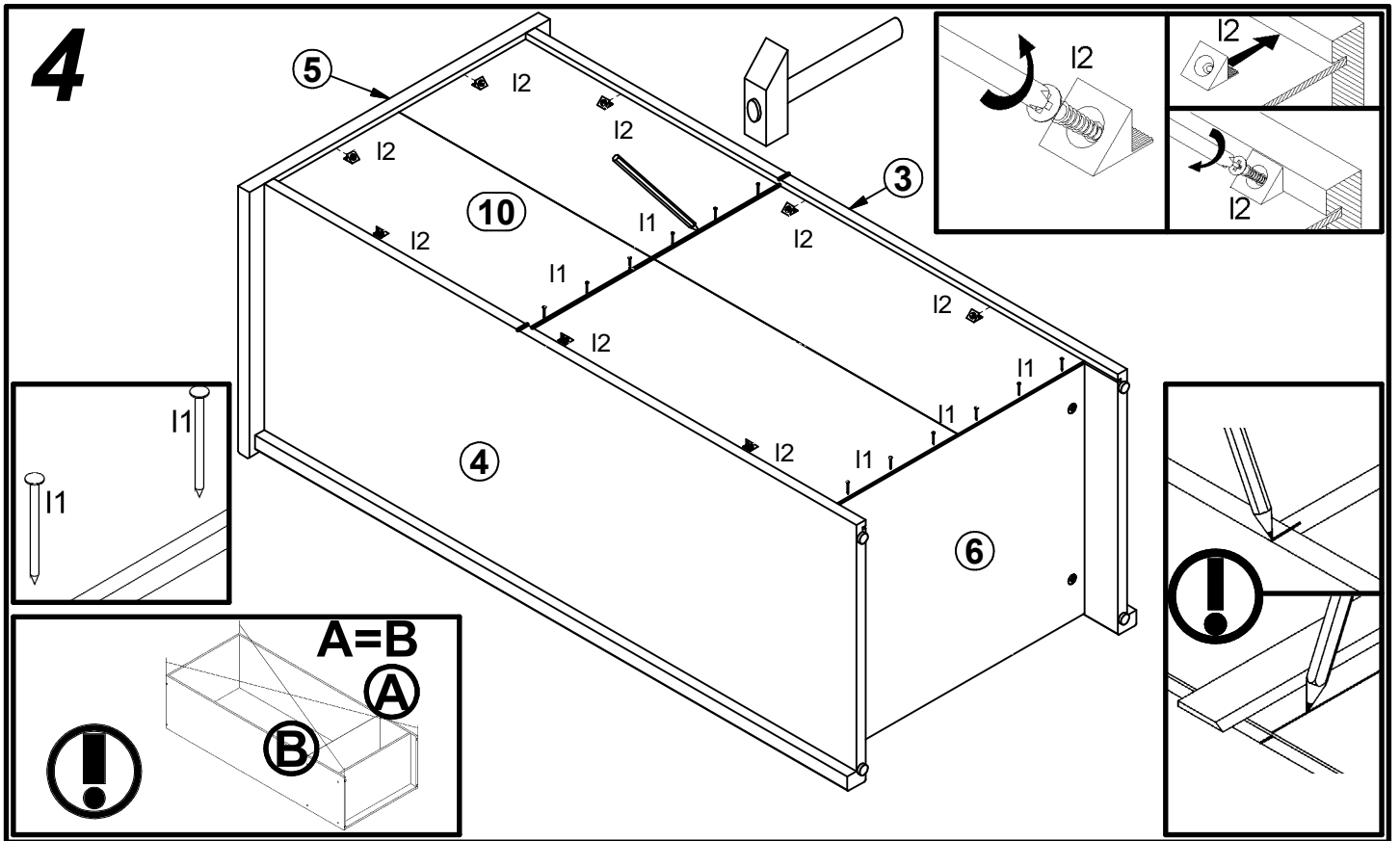


**2** §6

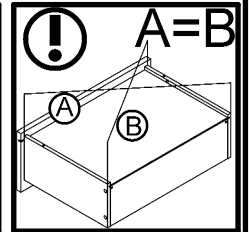
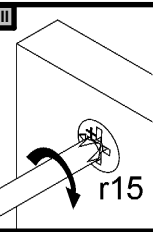
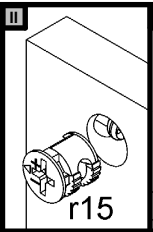
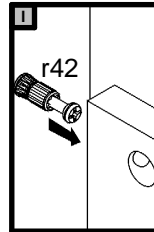
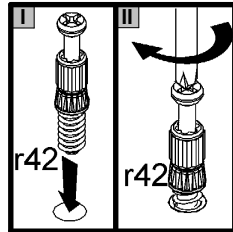
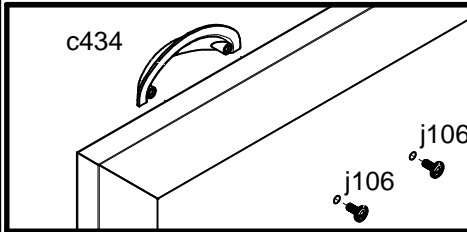
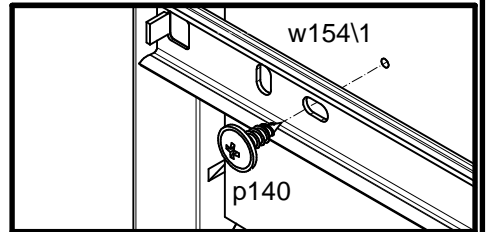
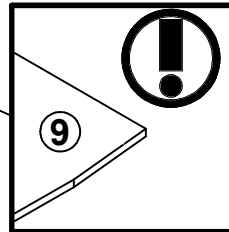
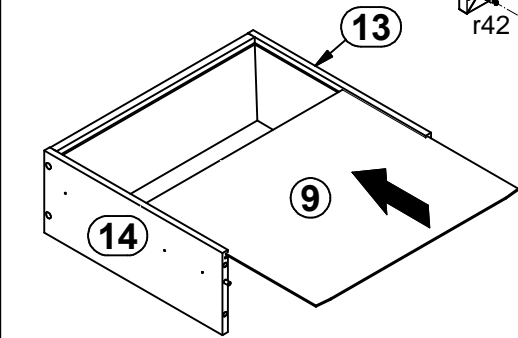
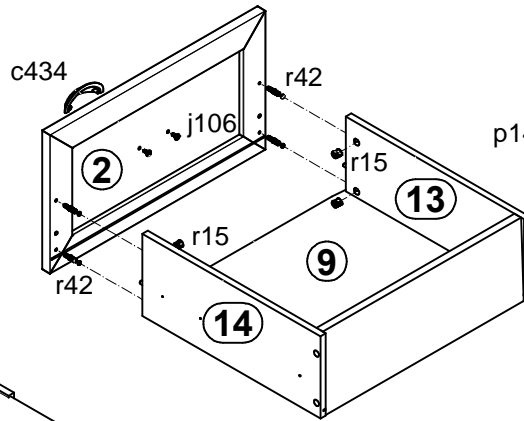
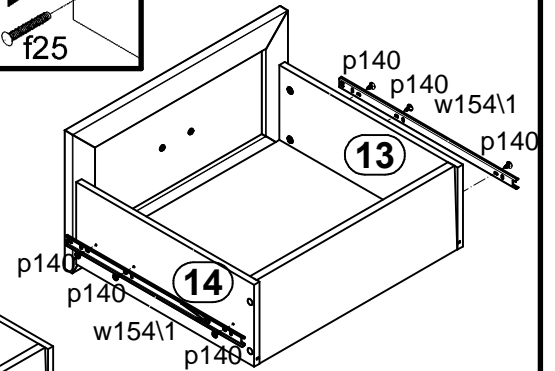
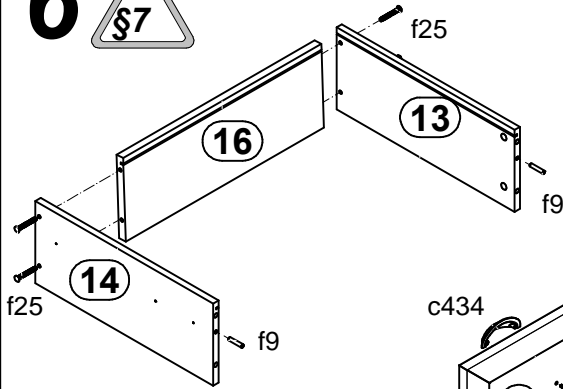
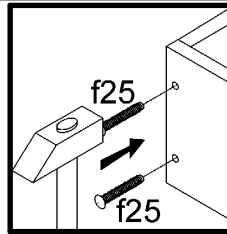
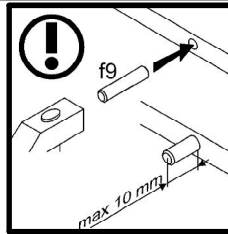


**3**





# 6



# 7

