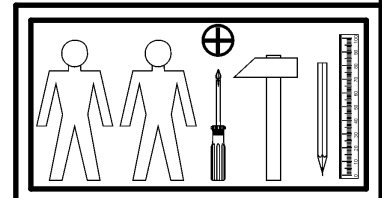
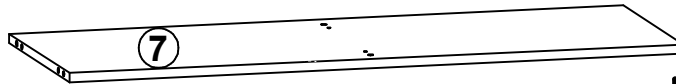
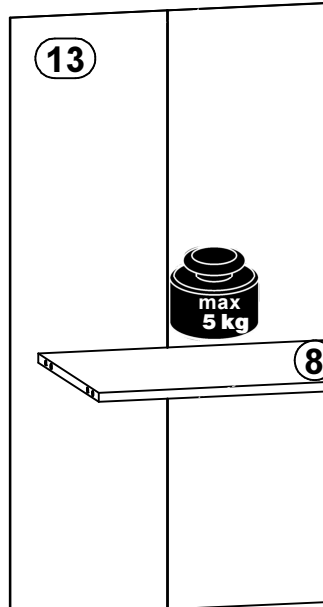
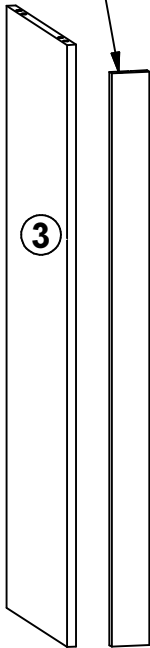
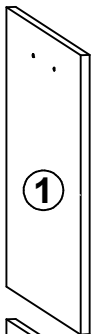
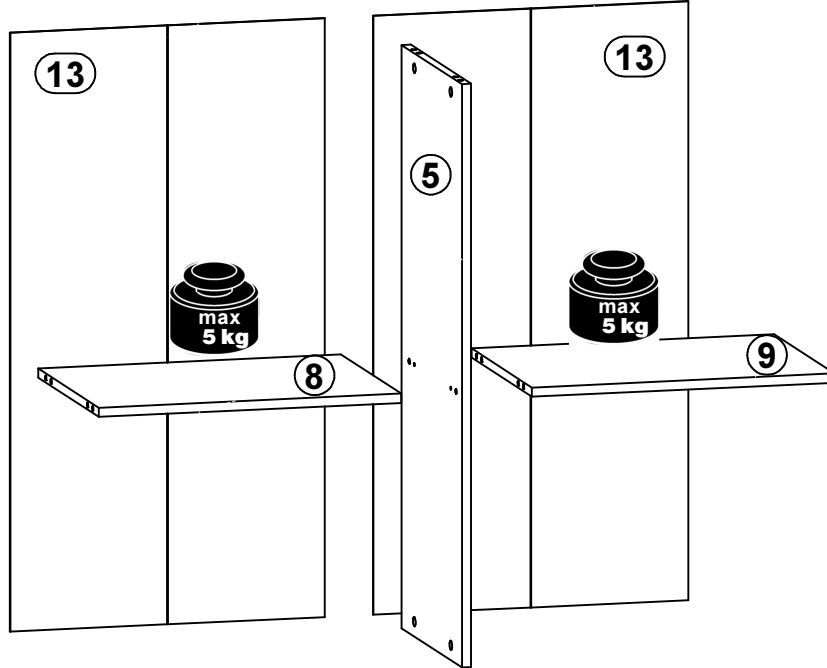
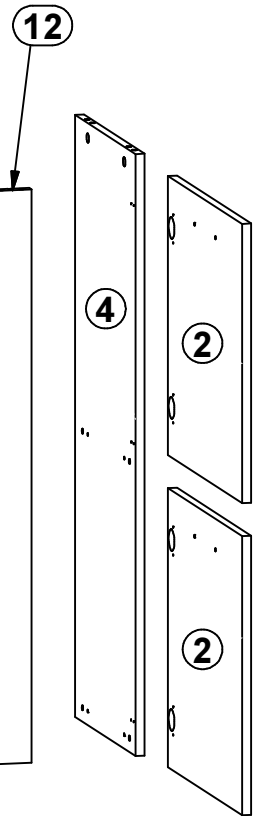
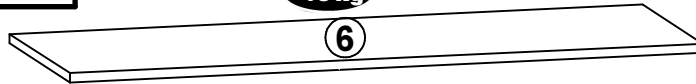
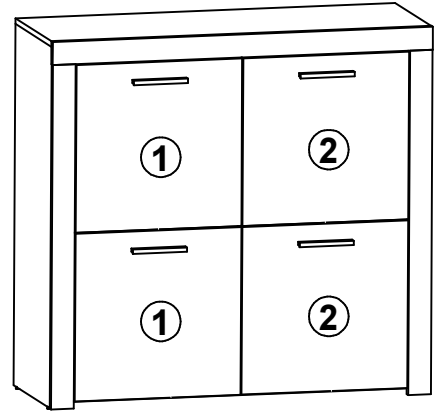


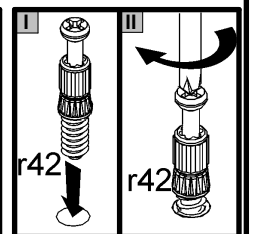
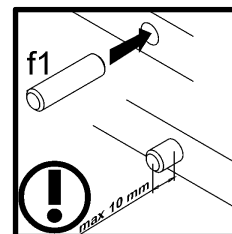
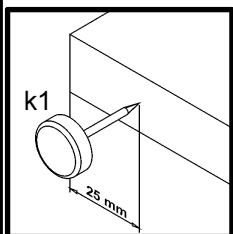
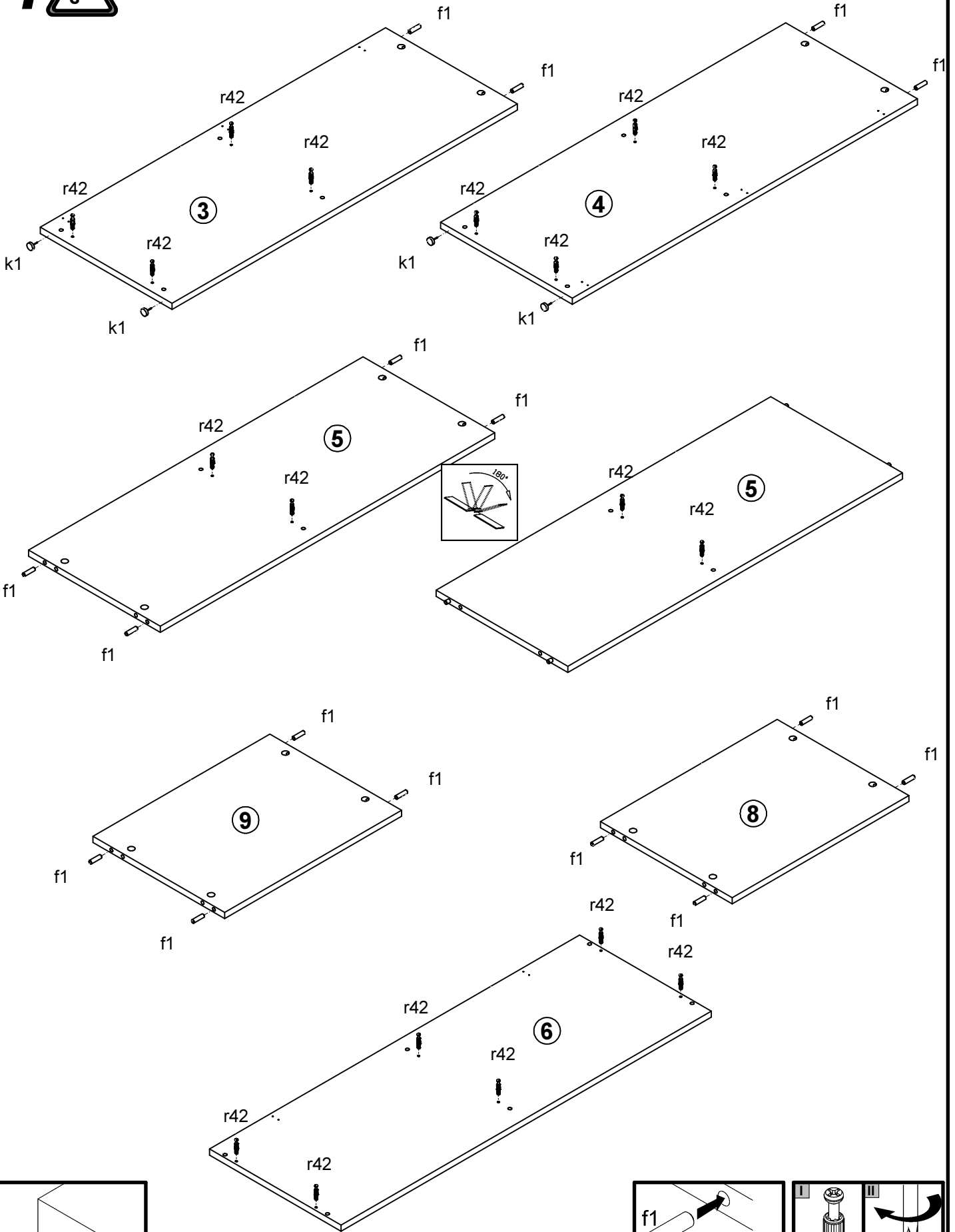
A	B	C	D
1	S382-0001	454	450
2	S382-0002	450	454
3	S382-1001	970	370
4	S382-1002	970	370
5	S382-1003	940	370
6	S382-2001	1040	370
7	S382-3001	1009	370
8	S382-3002	497	370
9	S382-3003	497	370
10	S382-5001	1041	62
11	S382-5002	924	62
12	S382-5003	924	62
13	S382-9301	965	517



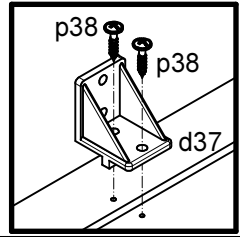
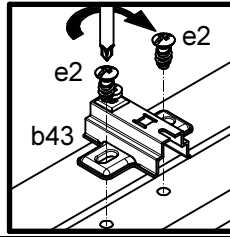
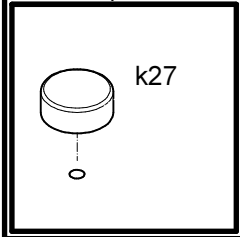
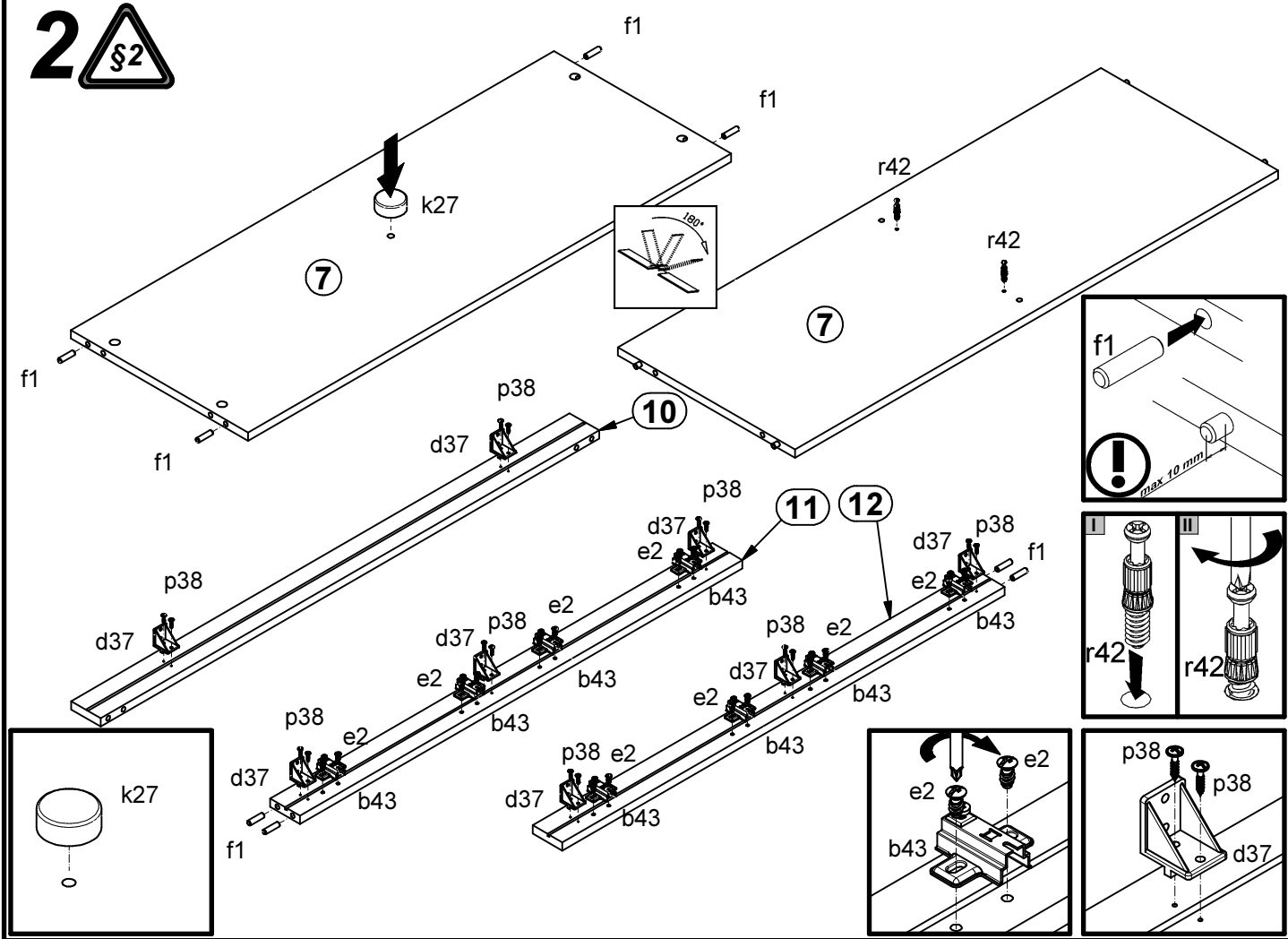
8x a132	8x b43	4x c328 128 mm	8x d37	16x e2 Ø6.3x13 mm	24x f1 Ø8x30 mm	4x k1	1x k27	60x l1
32x p38 Ø3.5x16 mm	16x p51 Ø3.5x15 mm	8x p60 Ø4x22 mm	20x r1 Ø15x12 mm #16	20x r42 20x11	6x s2 Ø16			

1x n2611	1x p38 Ø3.5x16 mm
-----------------	-----------------------------

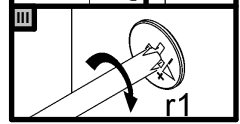
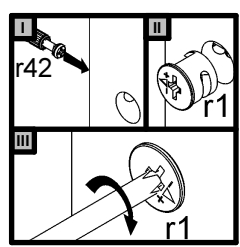
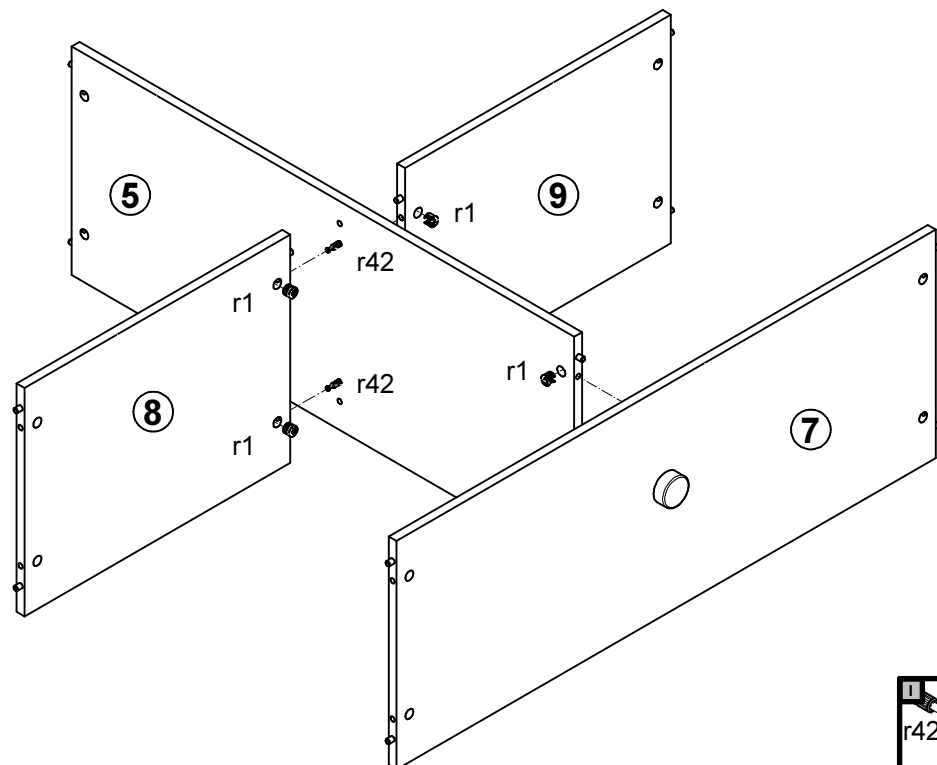
1 



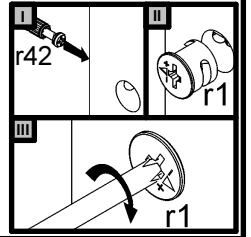
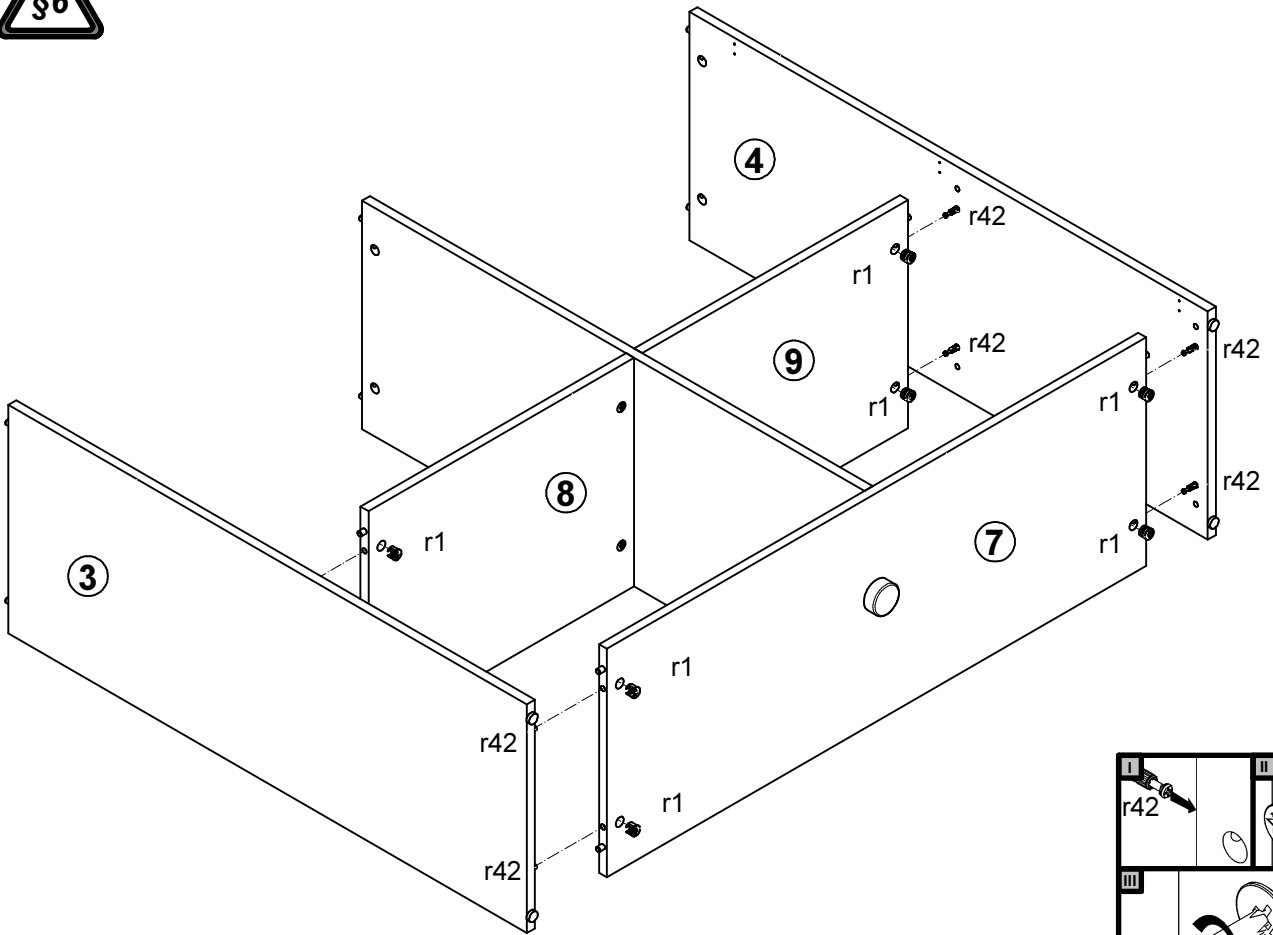
2



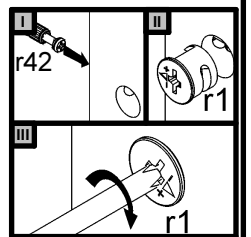
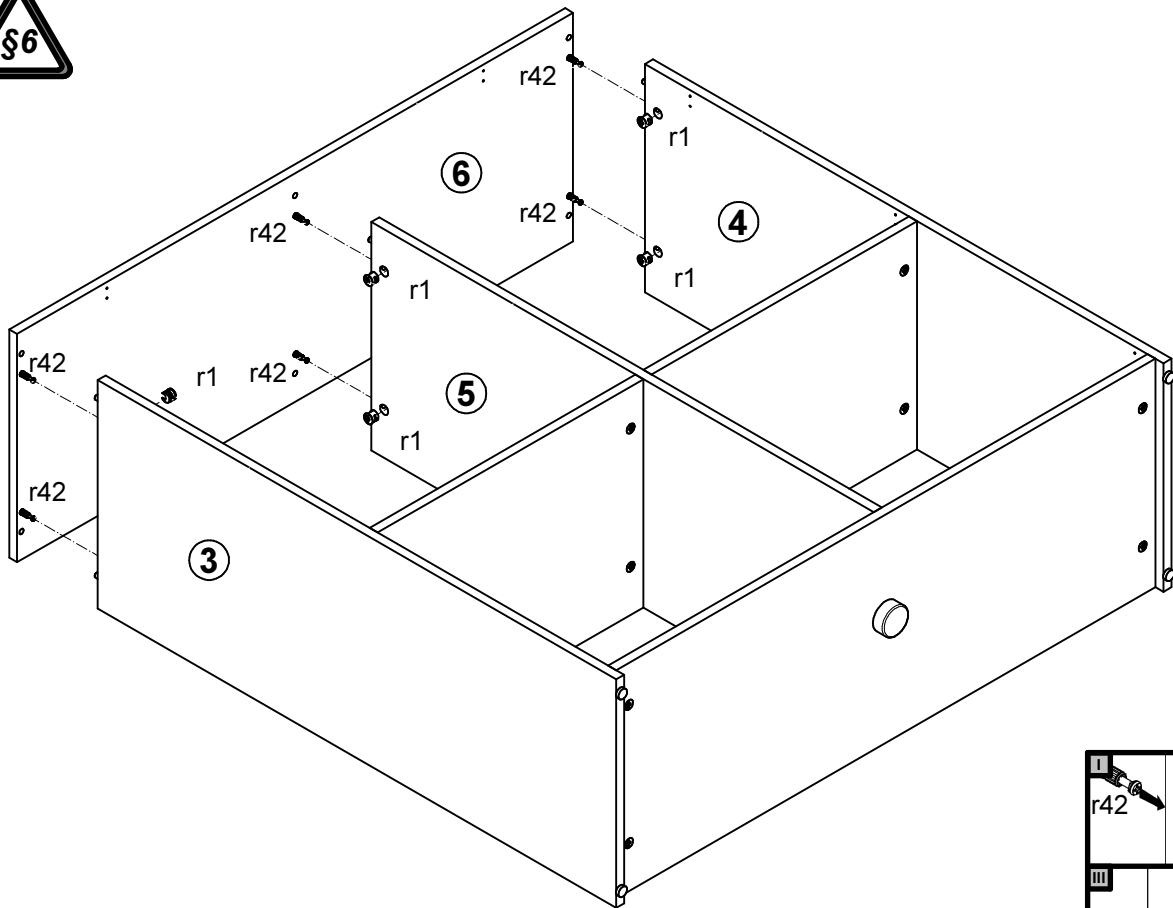
3



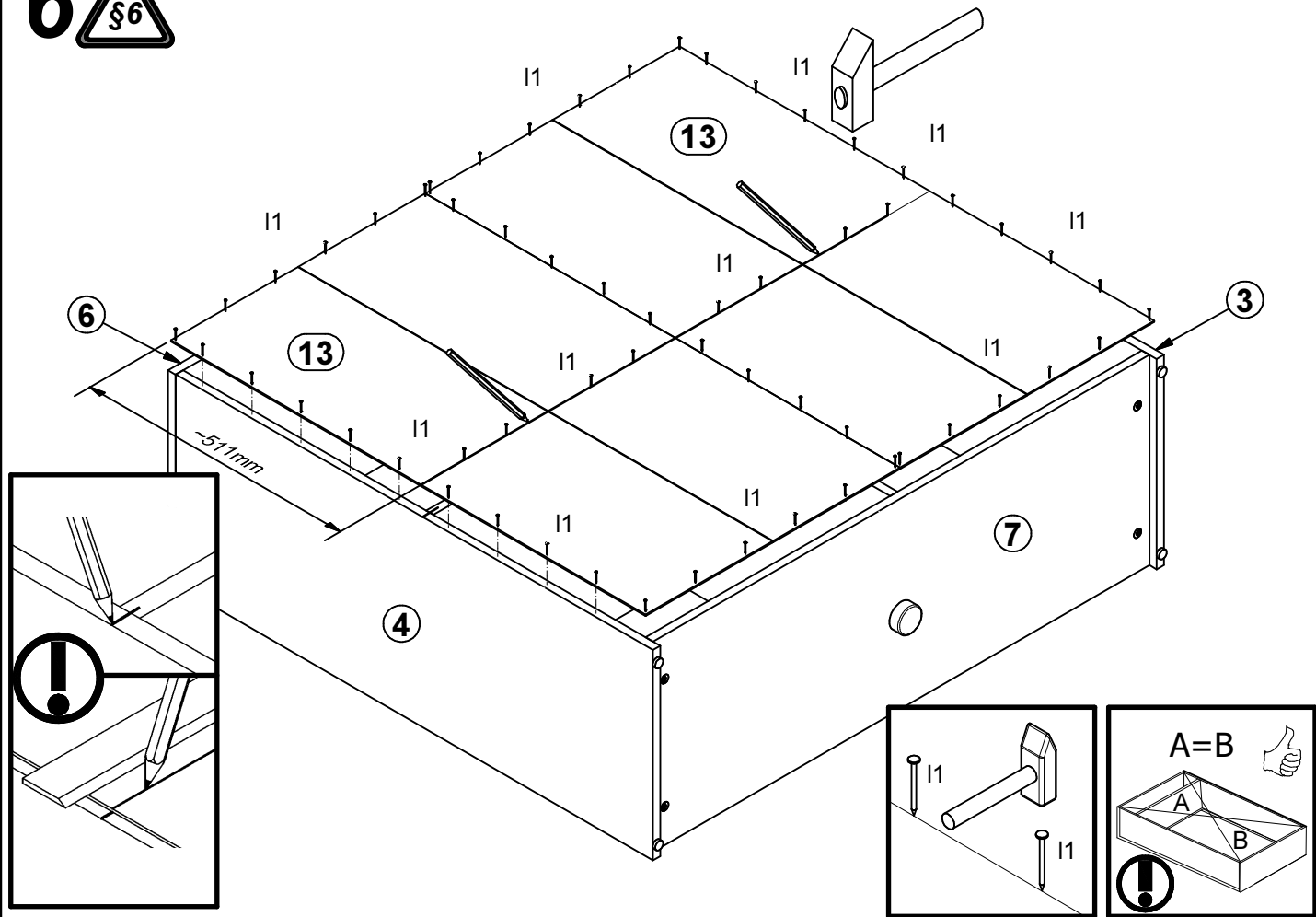
4 



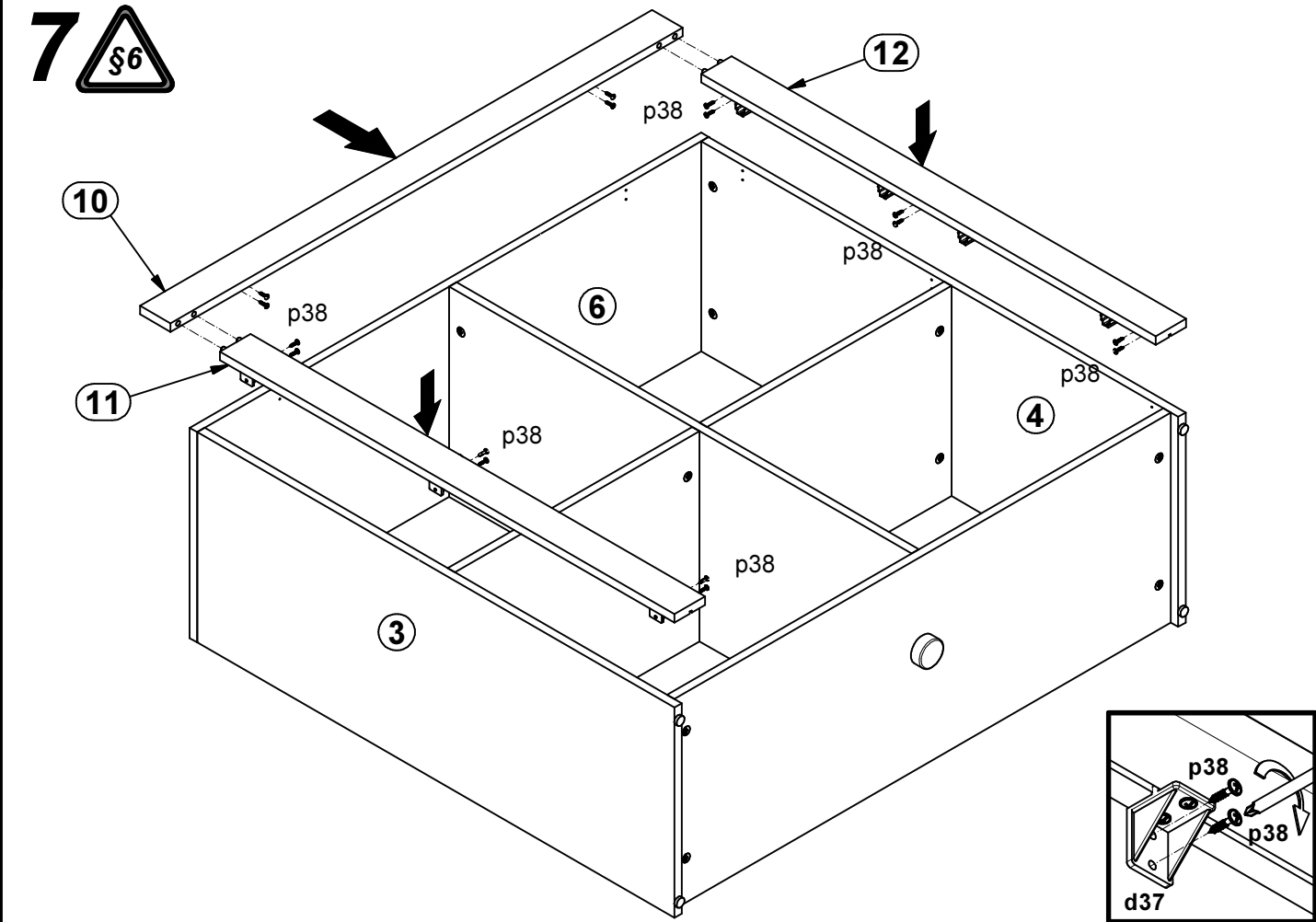
5 



6



7



8

