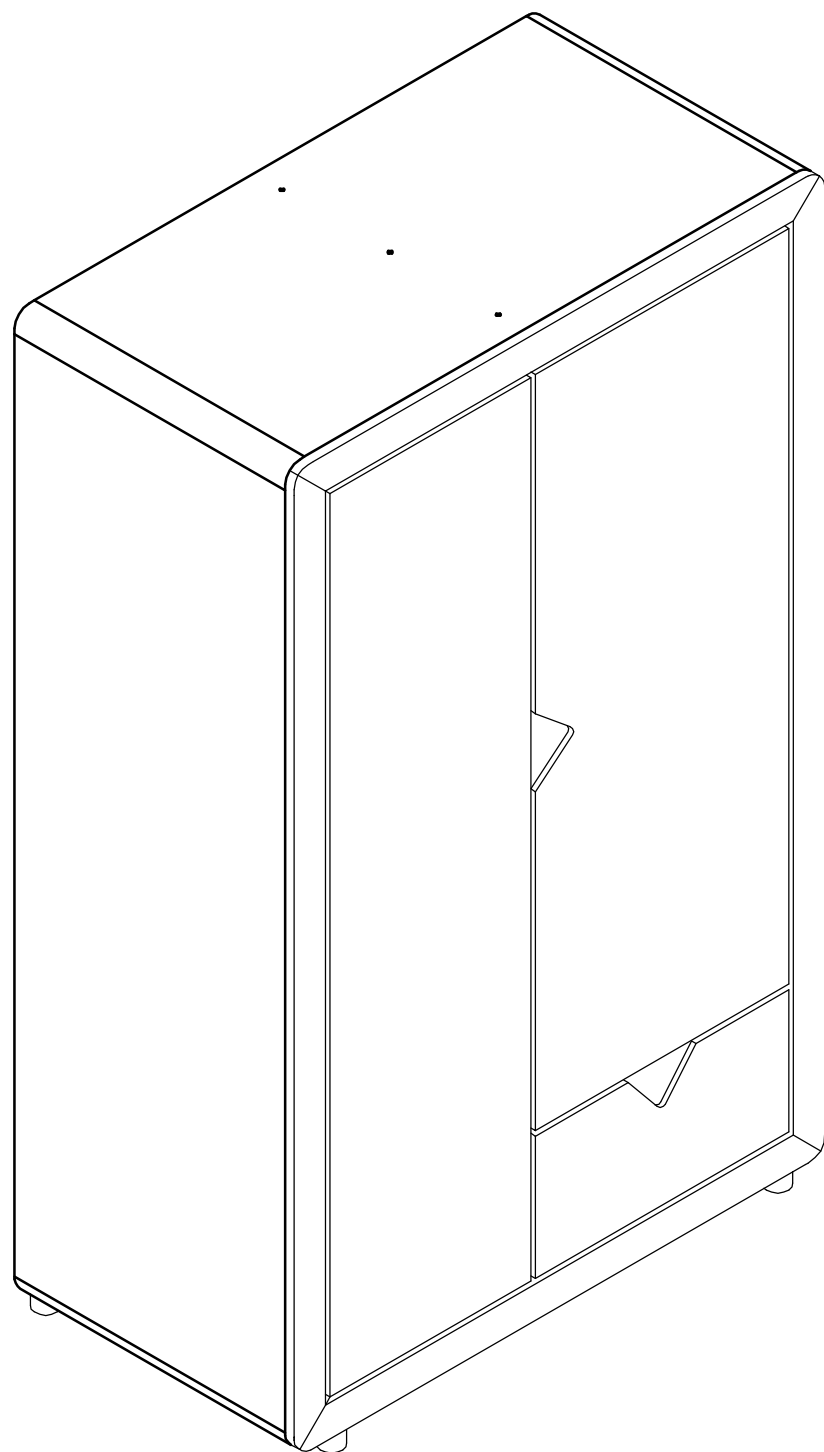
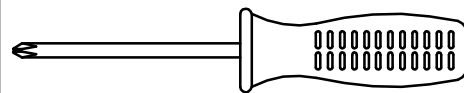
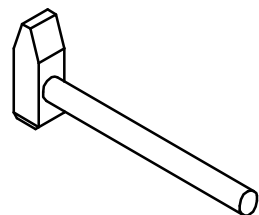

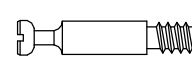



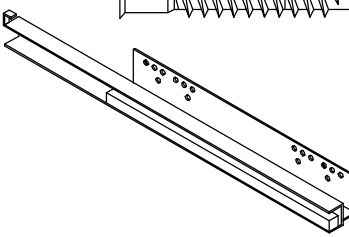

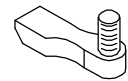




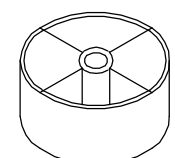
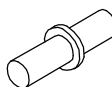
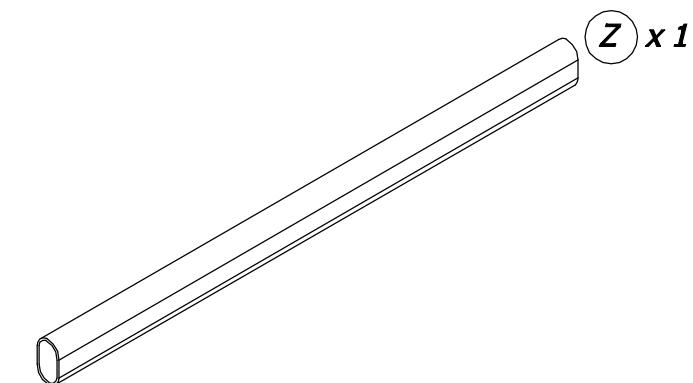
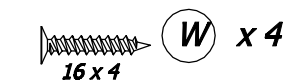
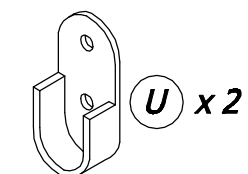
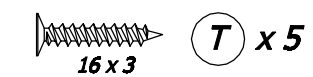
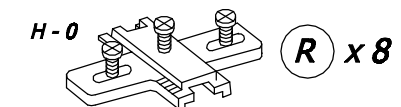
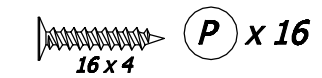
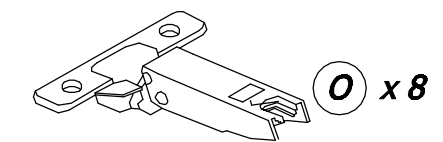
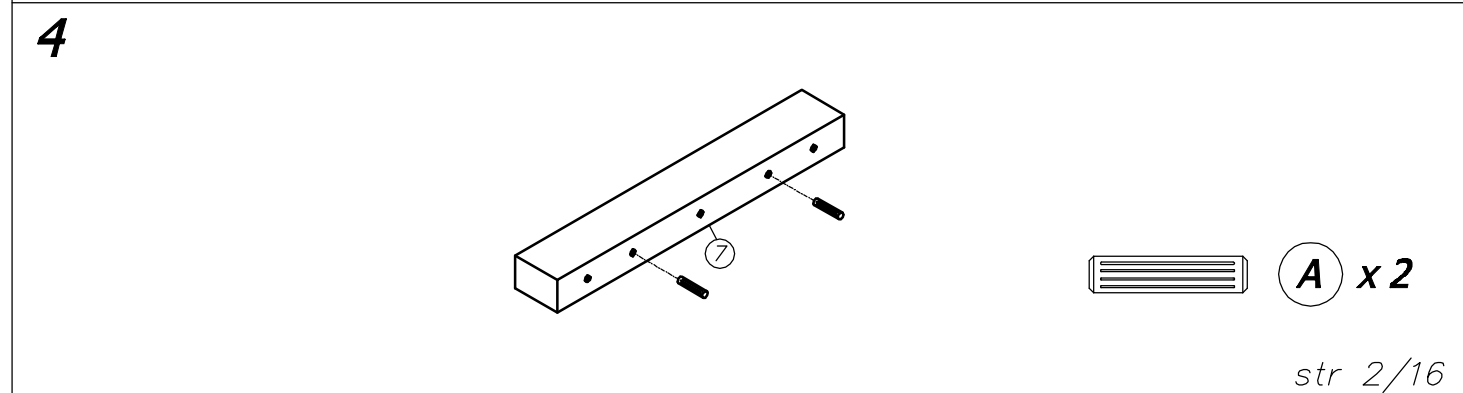
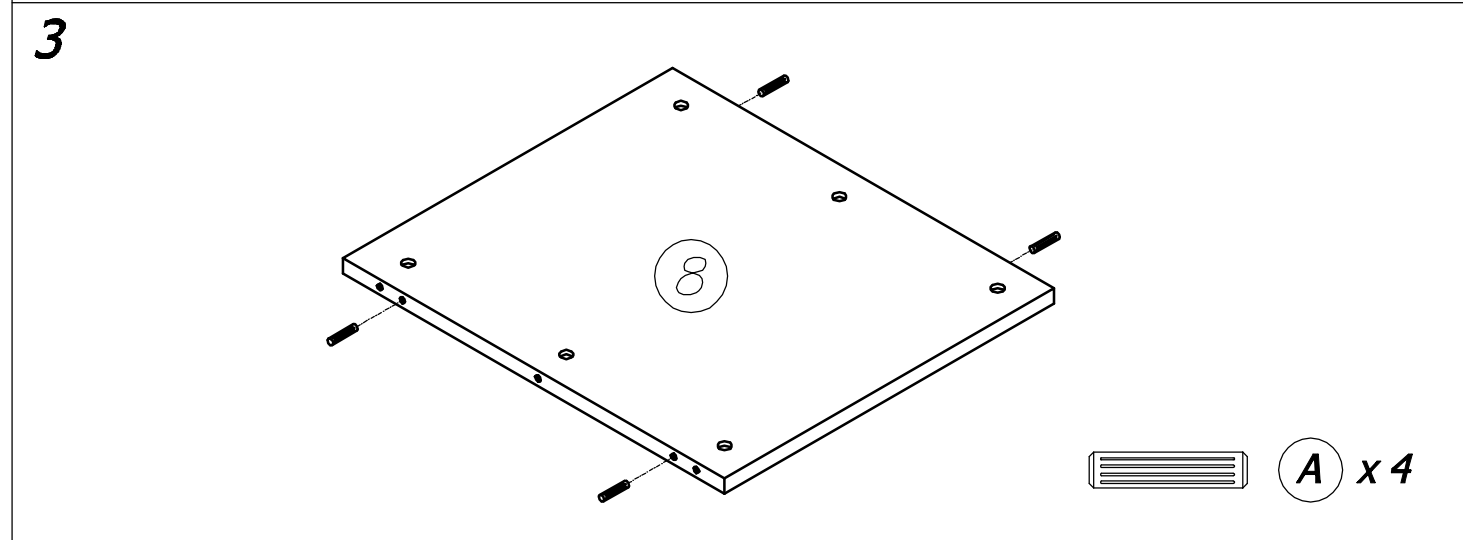
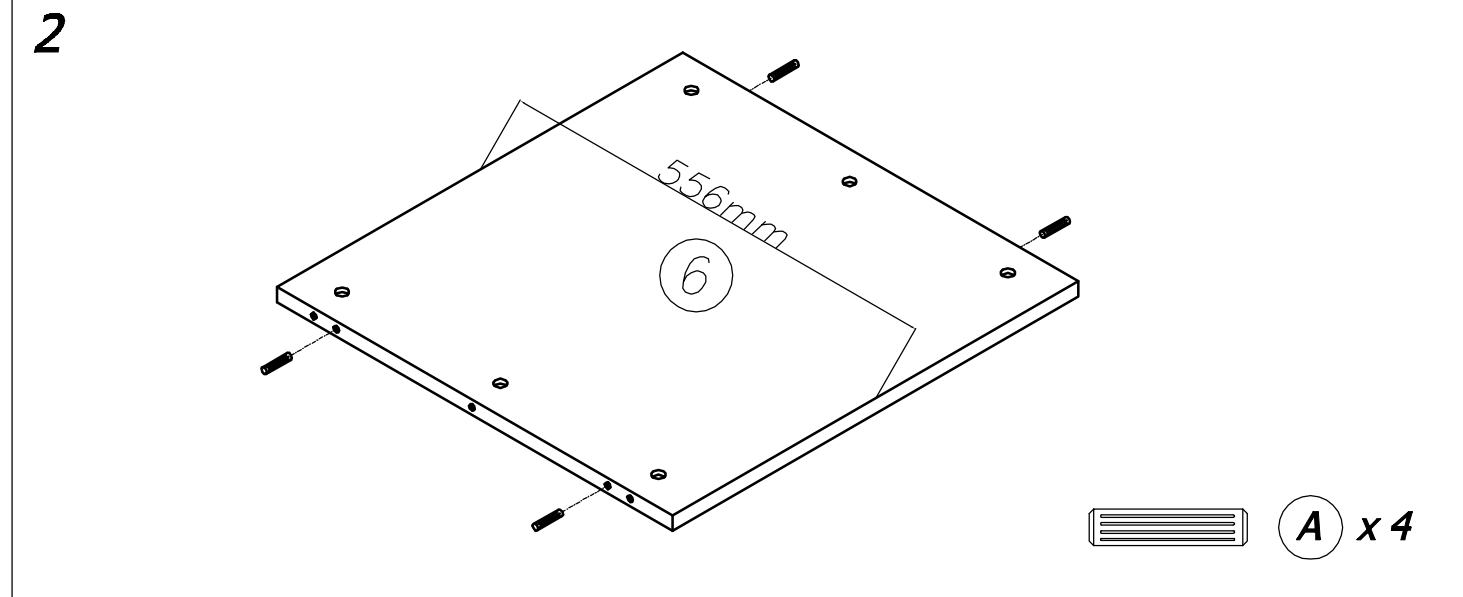
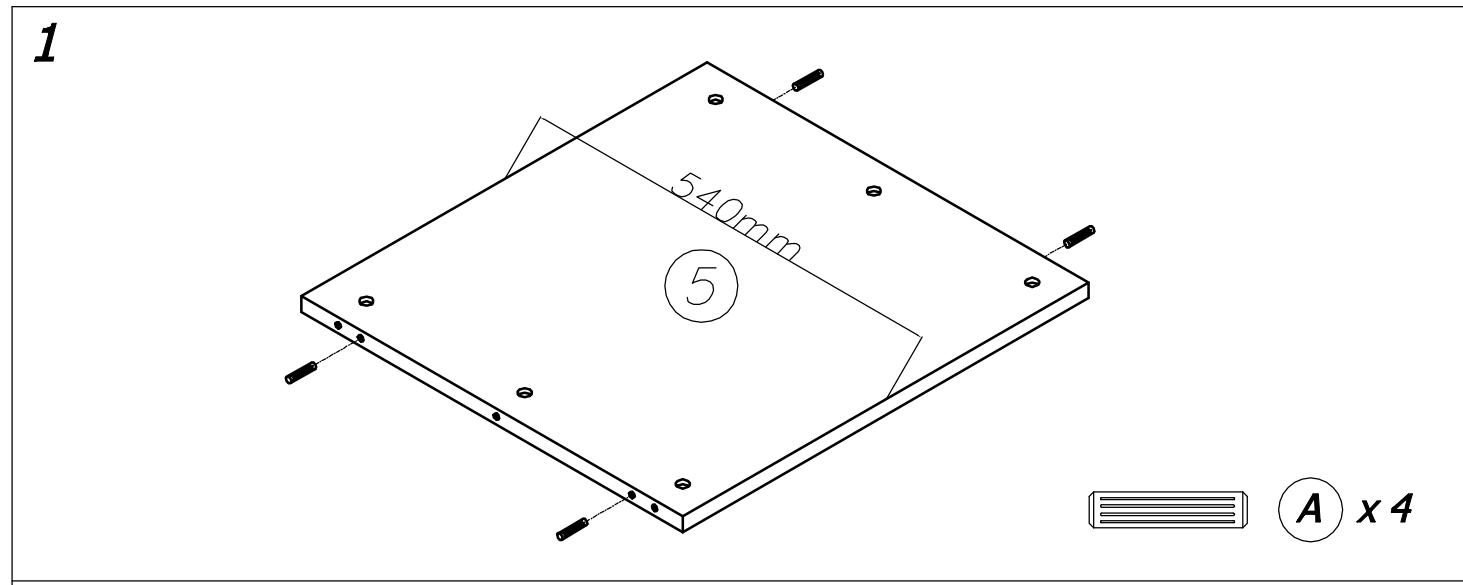
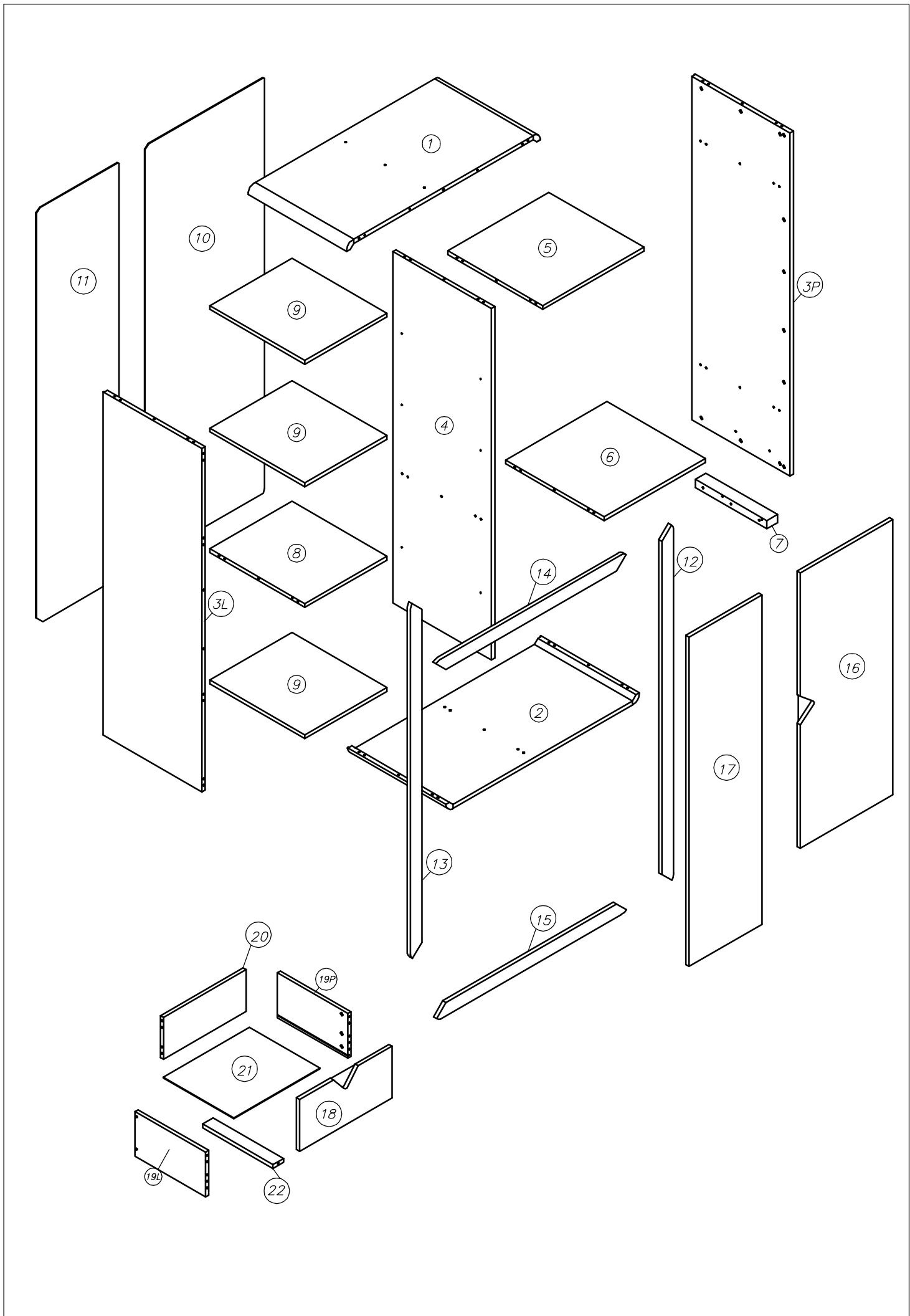


FRAME COLLECTION

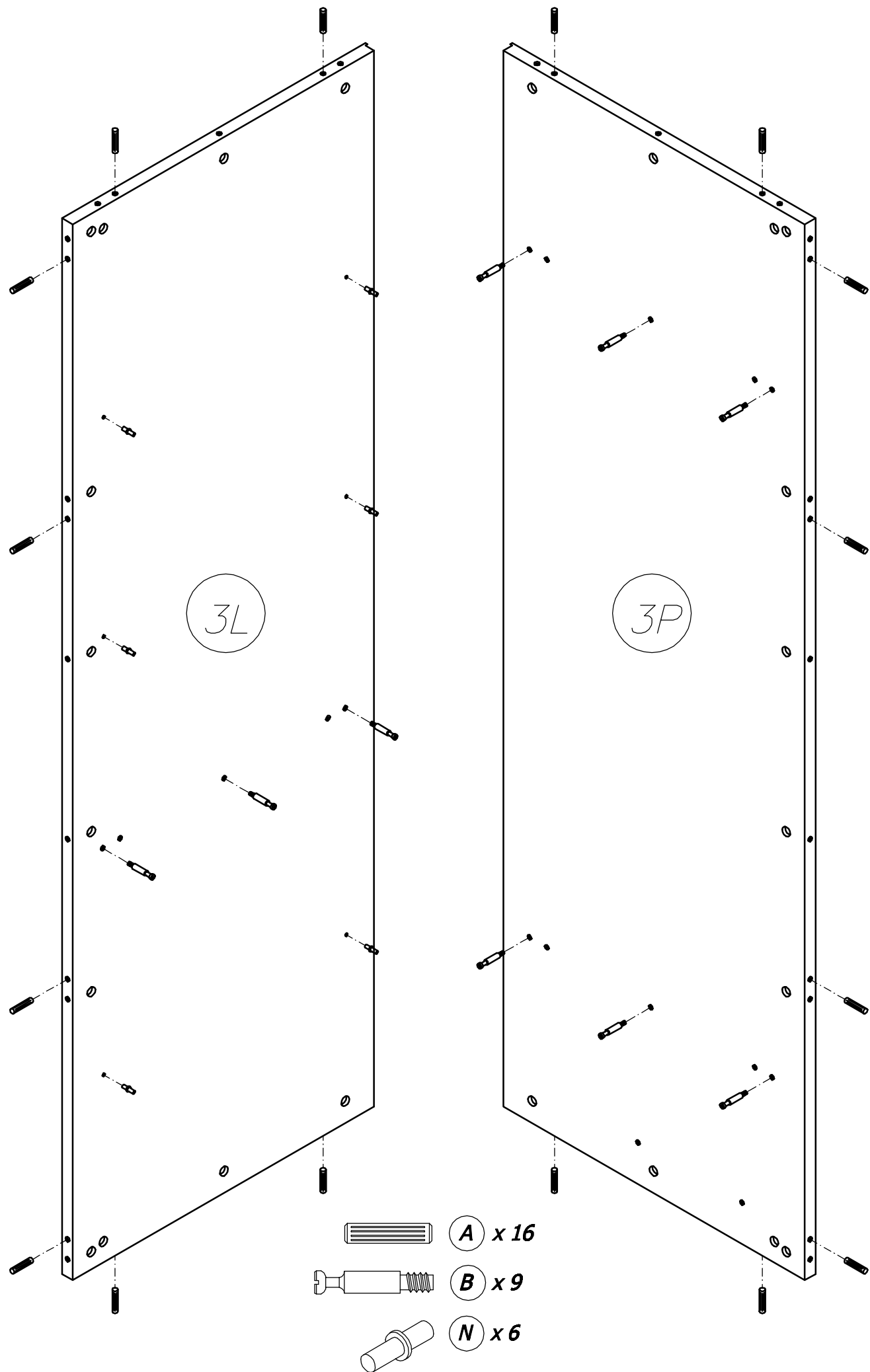


-  **A** x 50
-  **B** x 55
-  *pl. 18* **C** x 55
-  **D** x 1
-  **E** x 10
-  **F** x 1P+1L
-  **G** x 4
-  **H** x 2
-  **I** x 32
20 x 3
-  **J** x 2
35 x 4
-  **K** x 3
70 x 4
-  **L** x 4
25 x M5
-  **M** x 4
-  **N** x 12

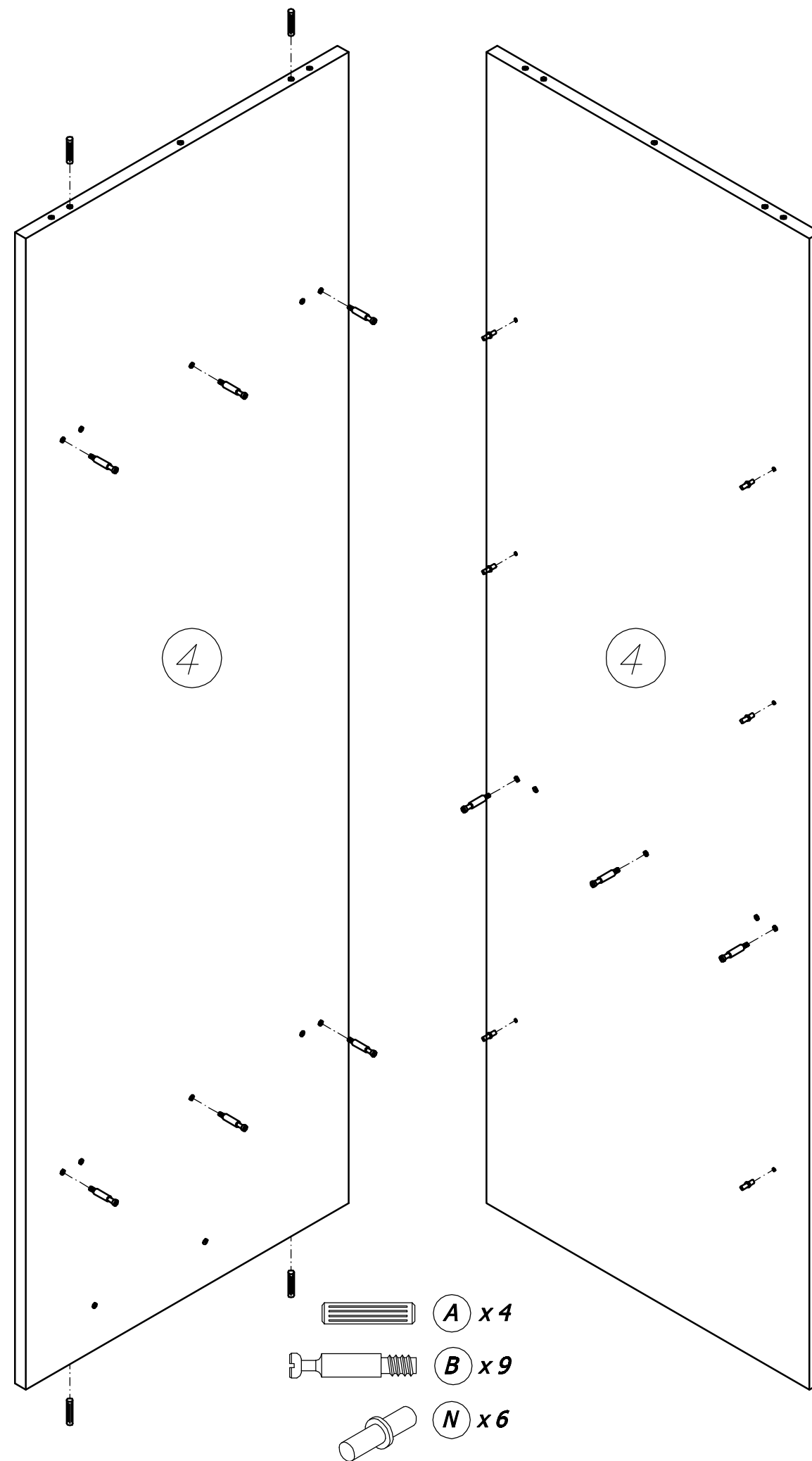




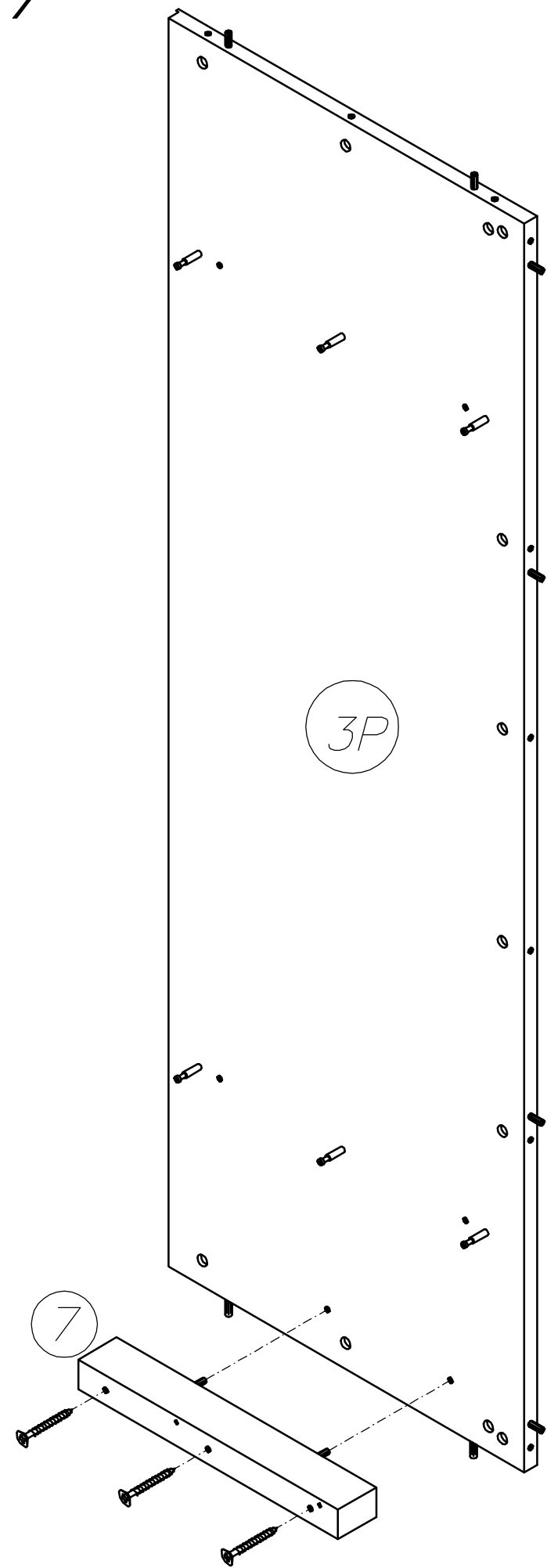
7



8

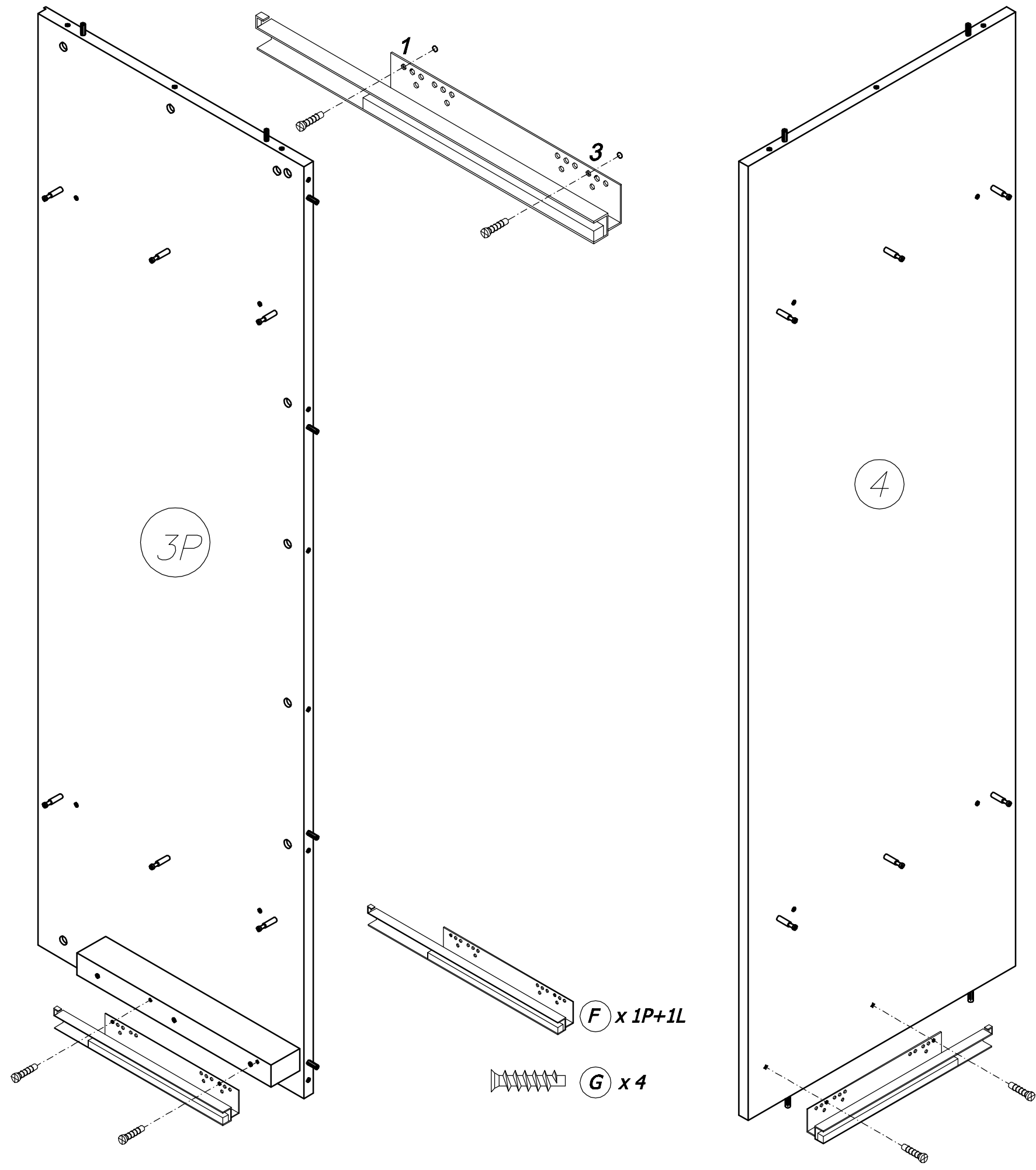


7




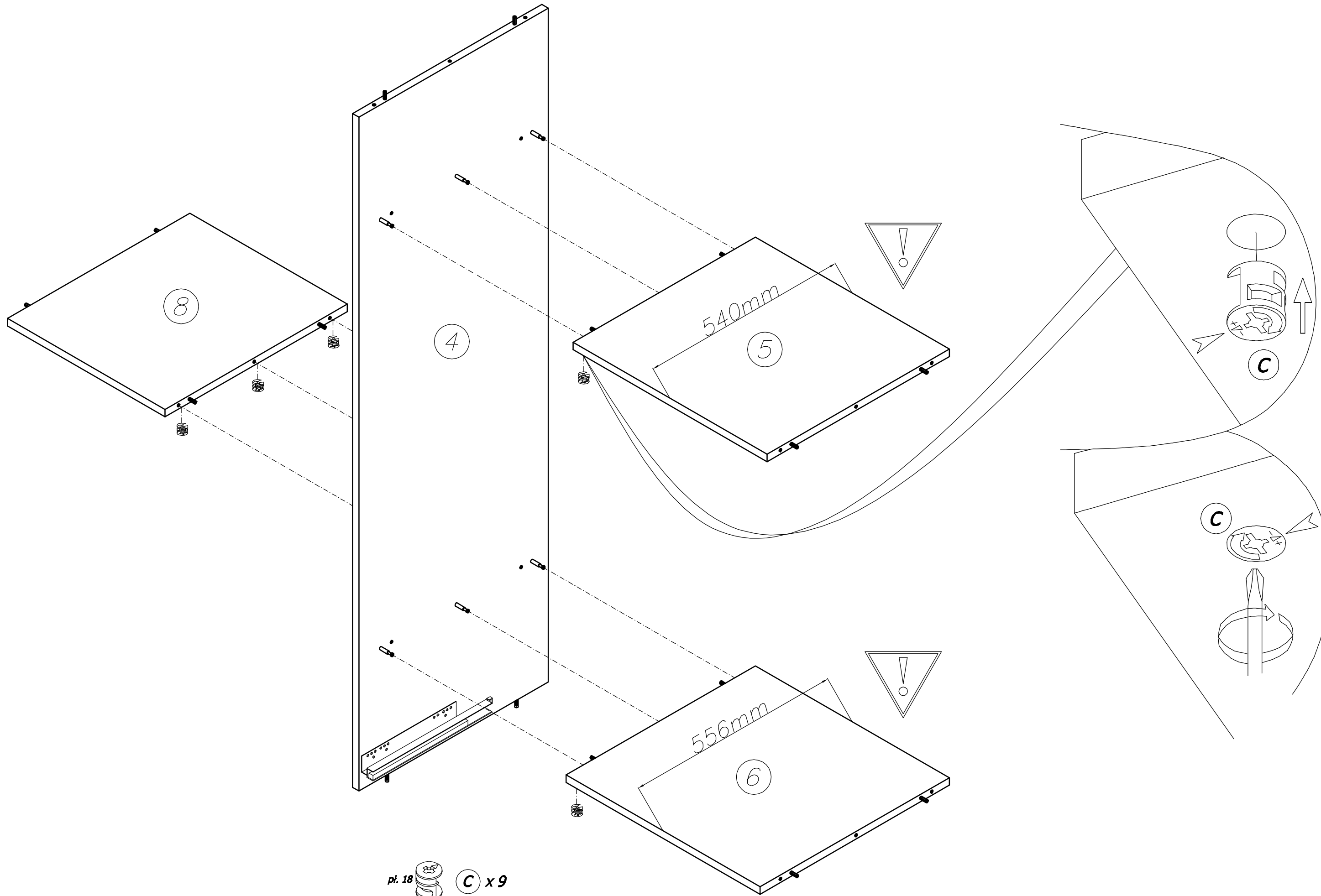
 **K** x 3
70 x 4

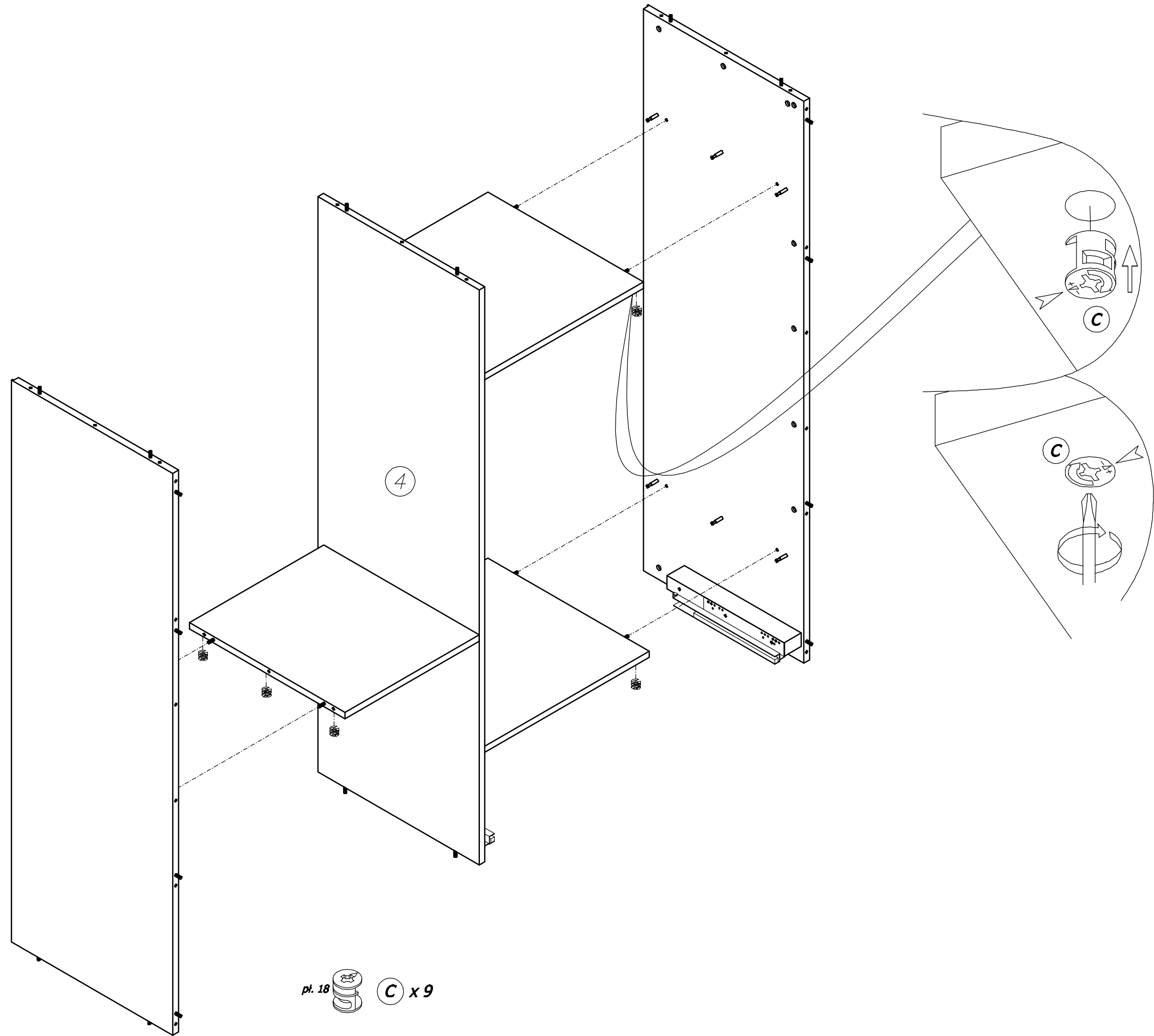
8




F x 1P+1L

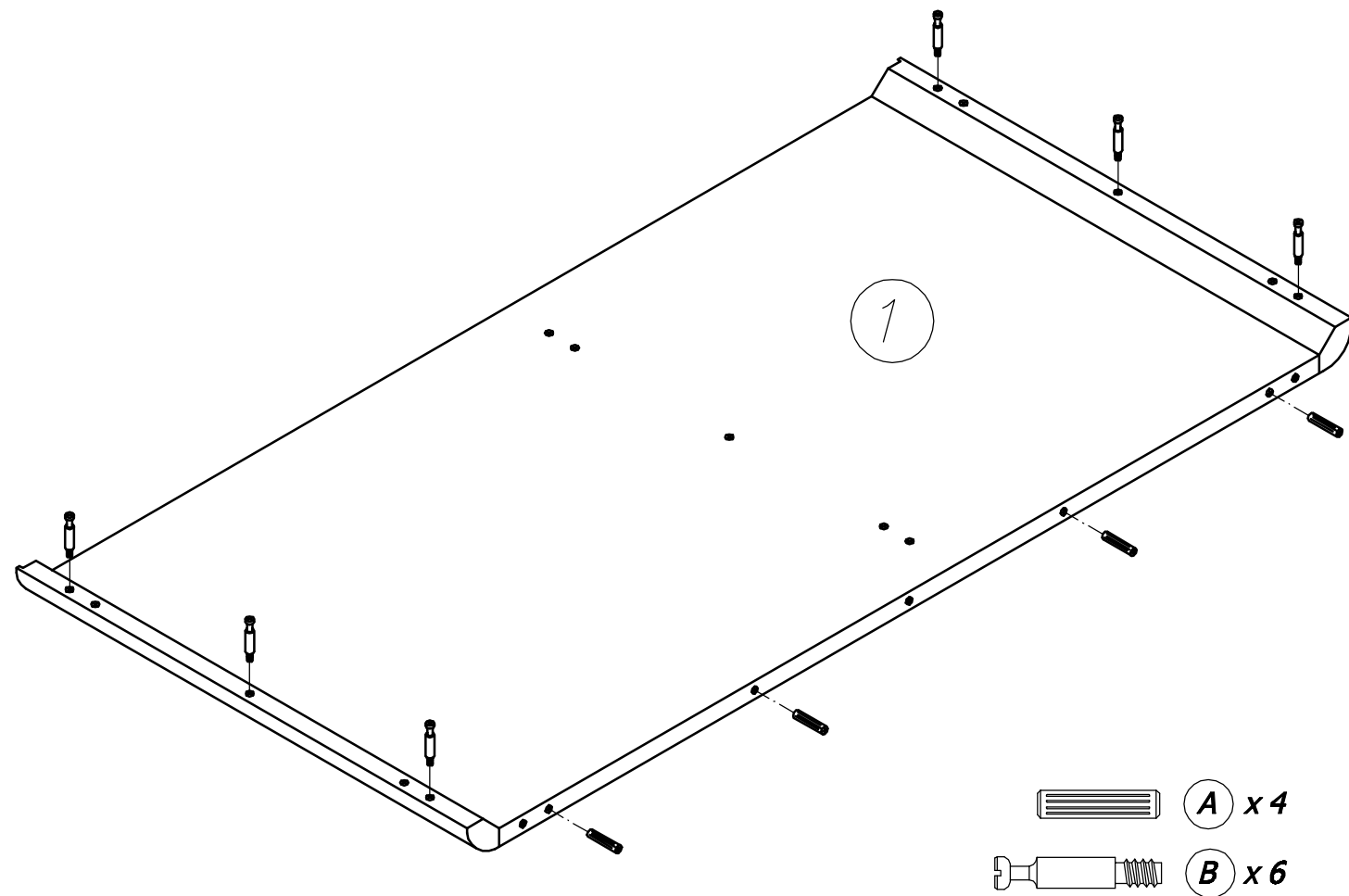
 **G** x 4


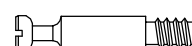




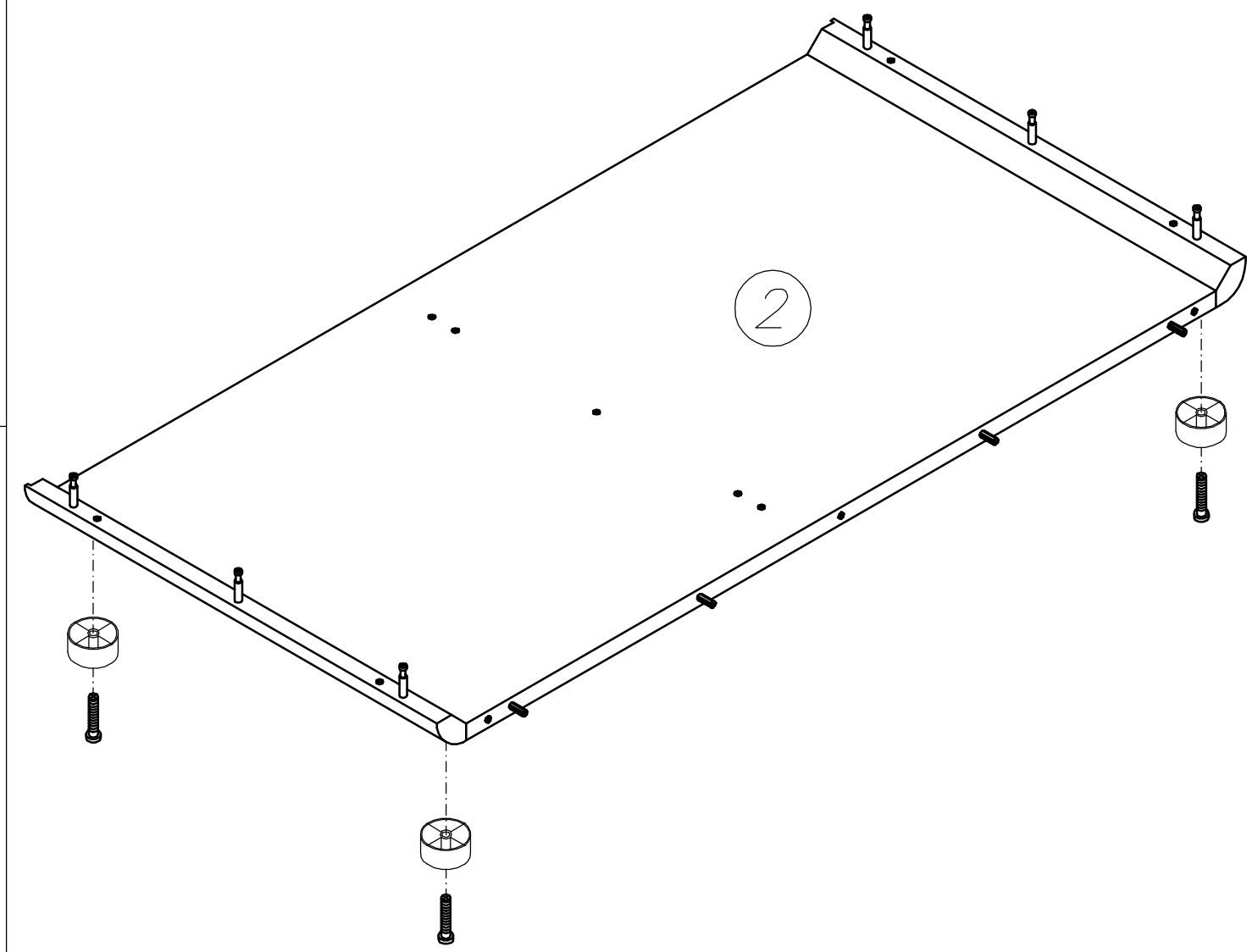
pt. 18  C x 9


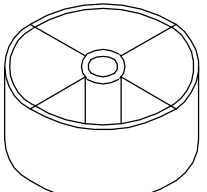
11



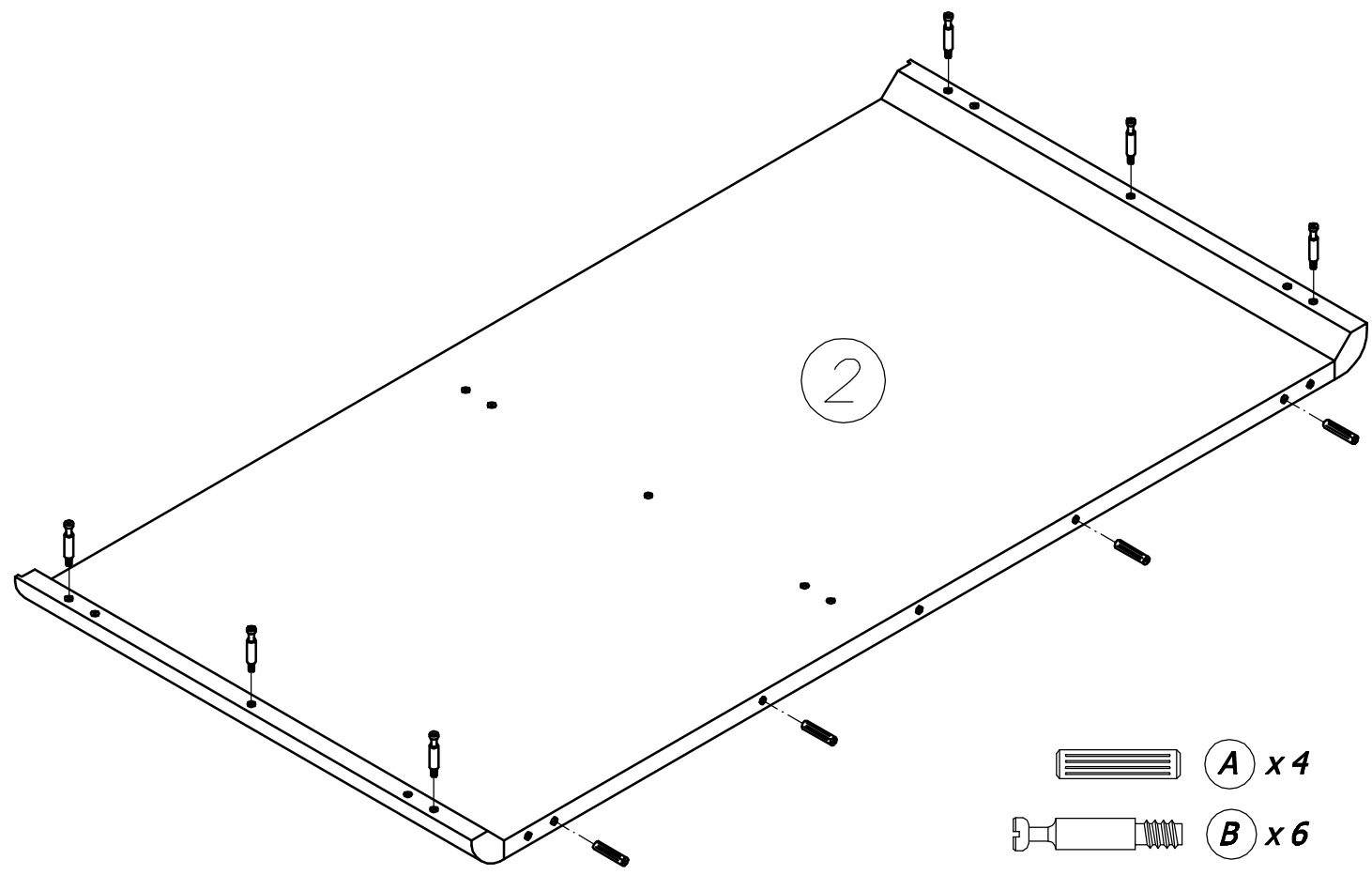
-  **A** x 4
-  **B** x 6


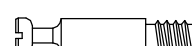
13



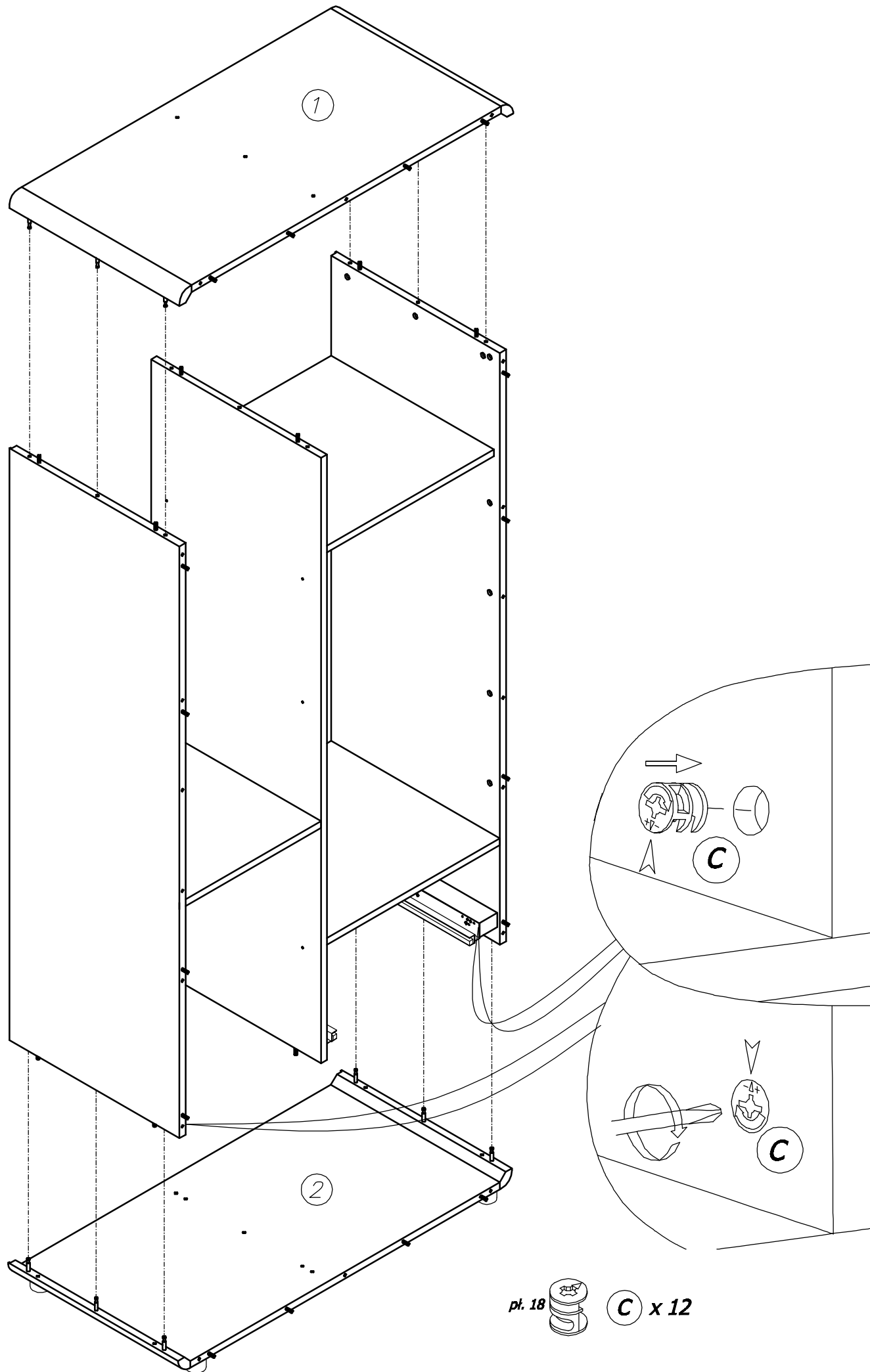
-  **L** x 4
25 x M5
-  **M** x 4

12

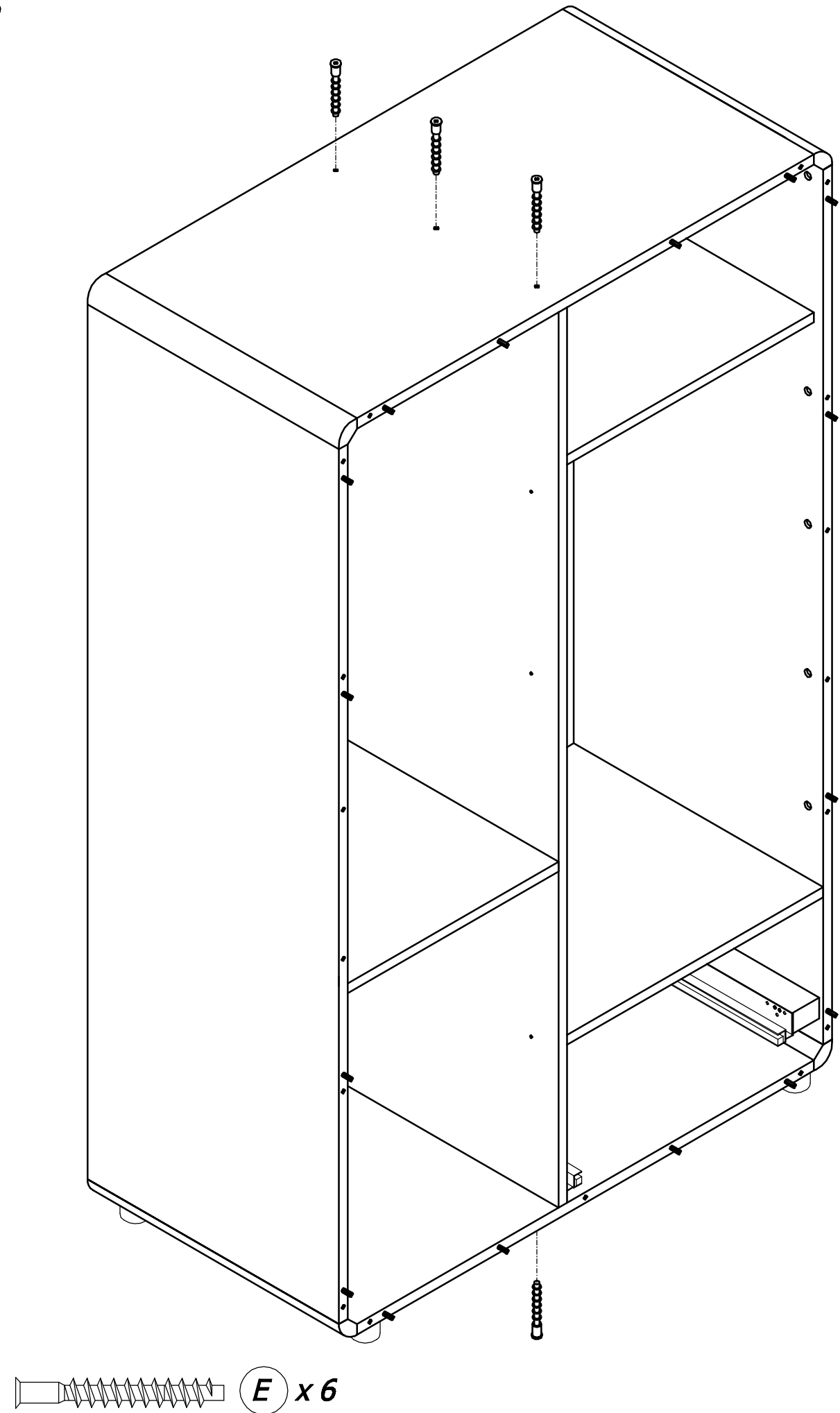


-  **A** x 4
-  **B** x 6

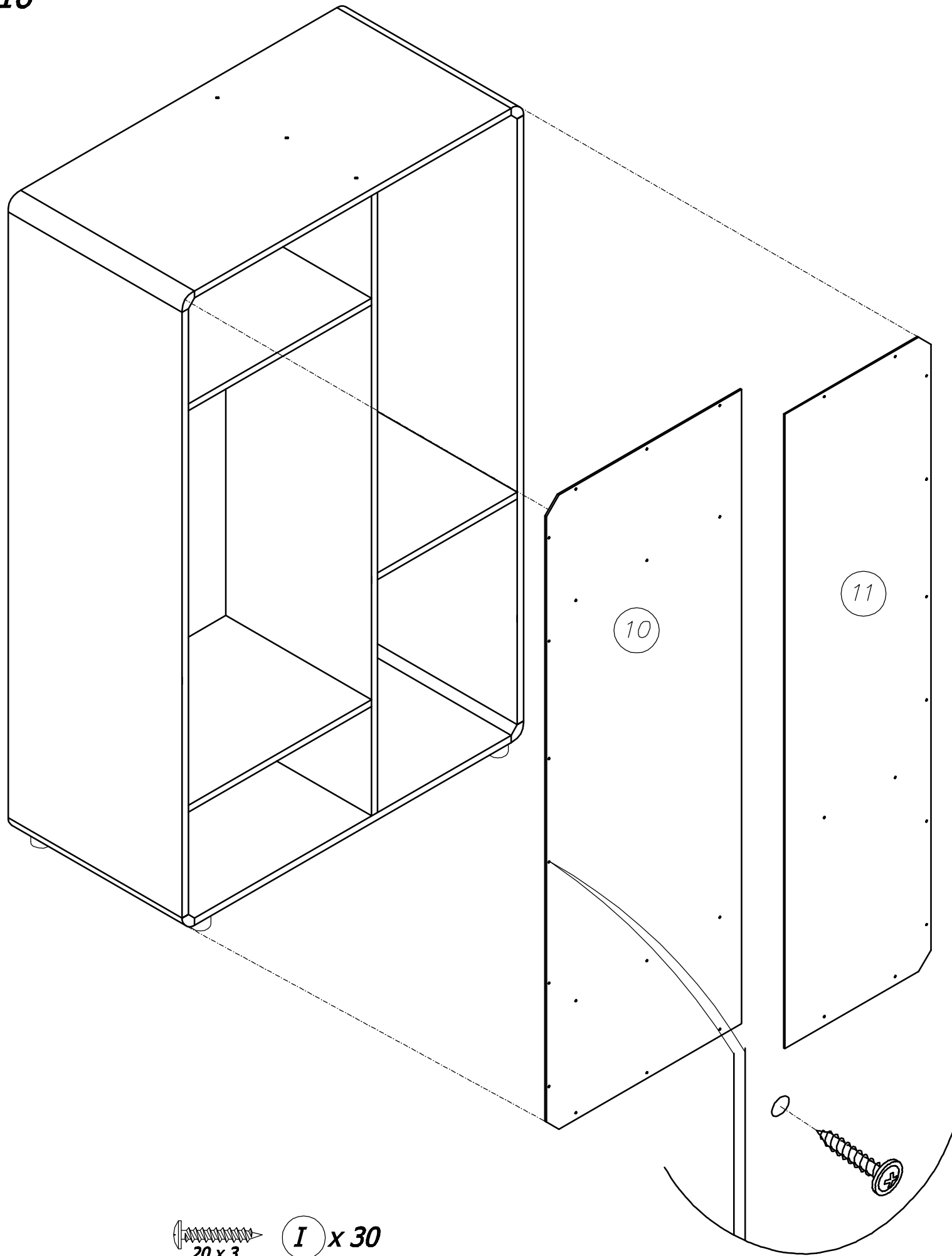
14



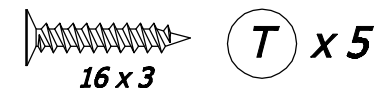
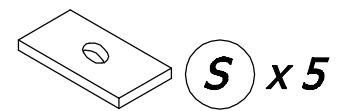
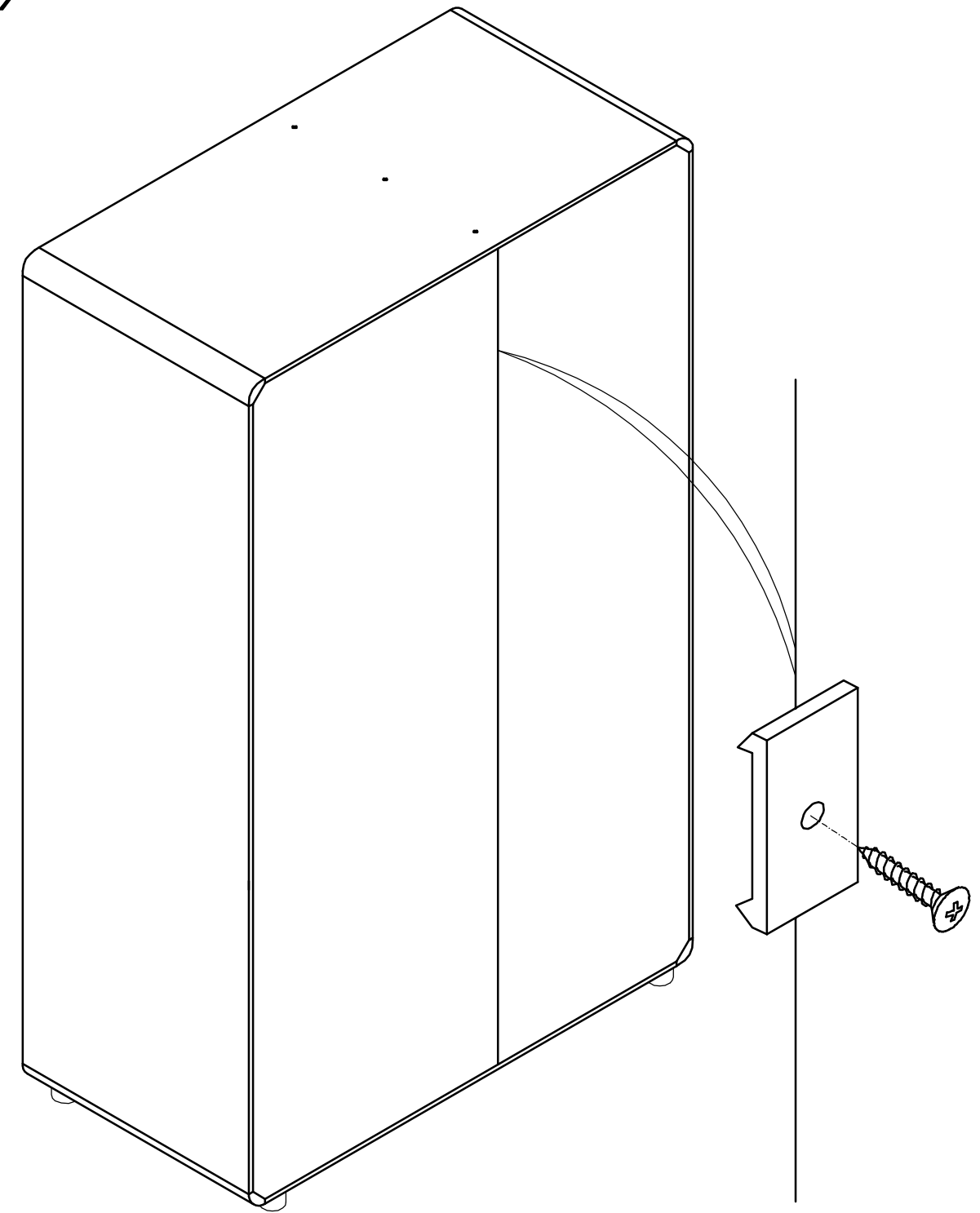
15



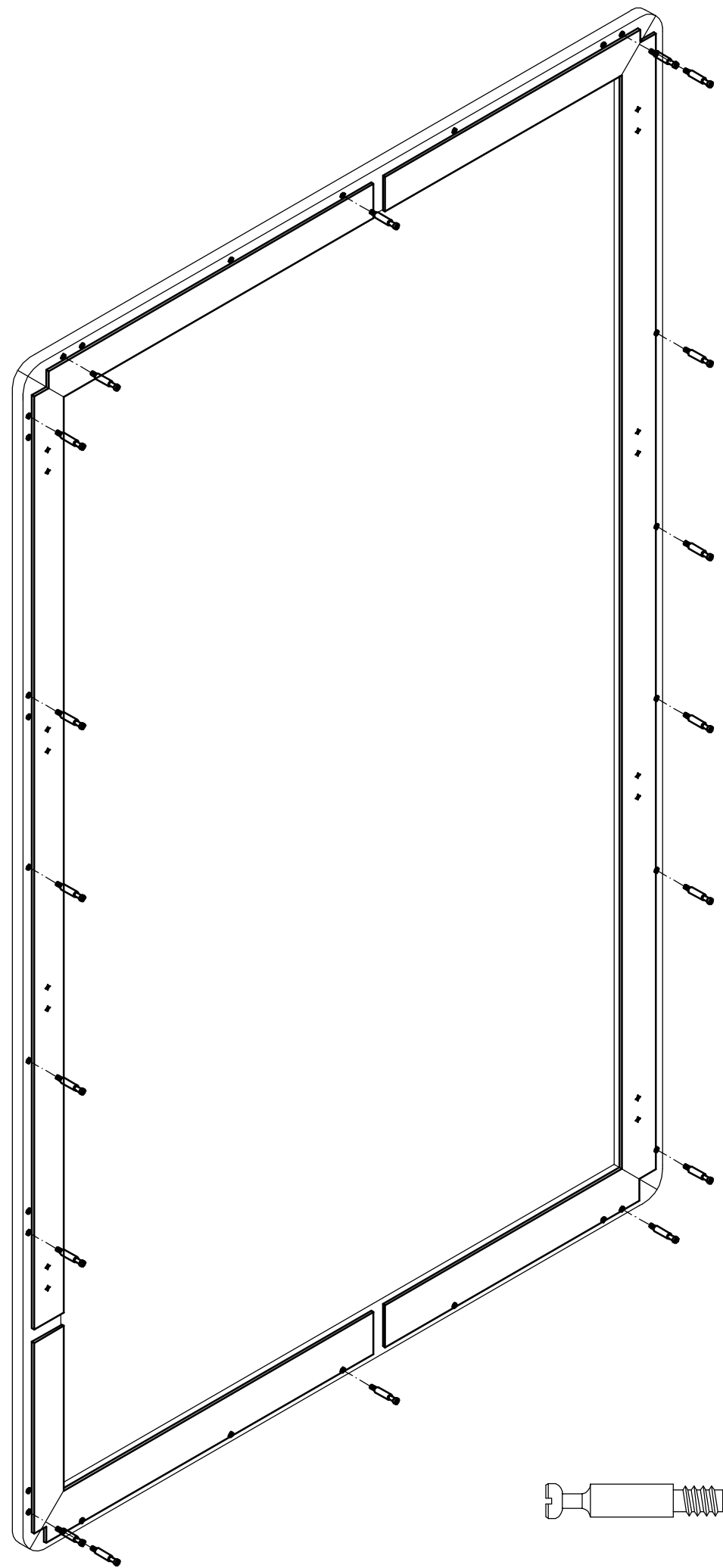
16

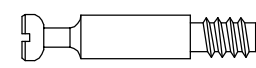


17

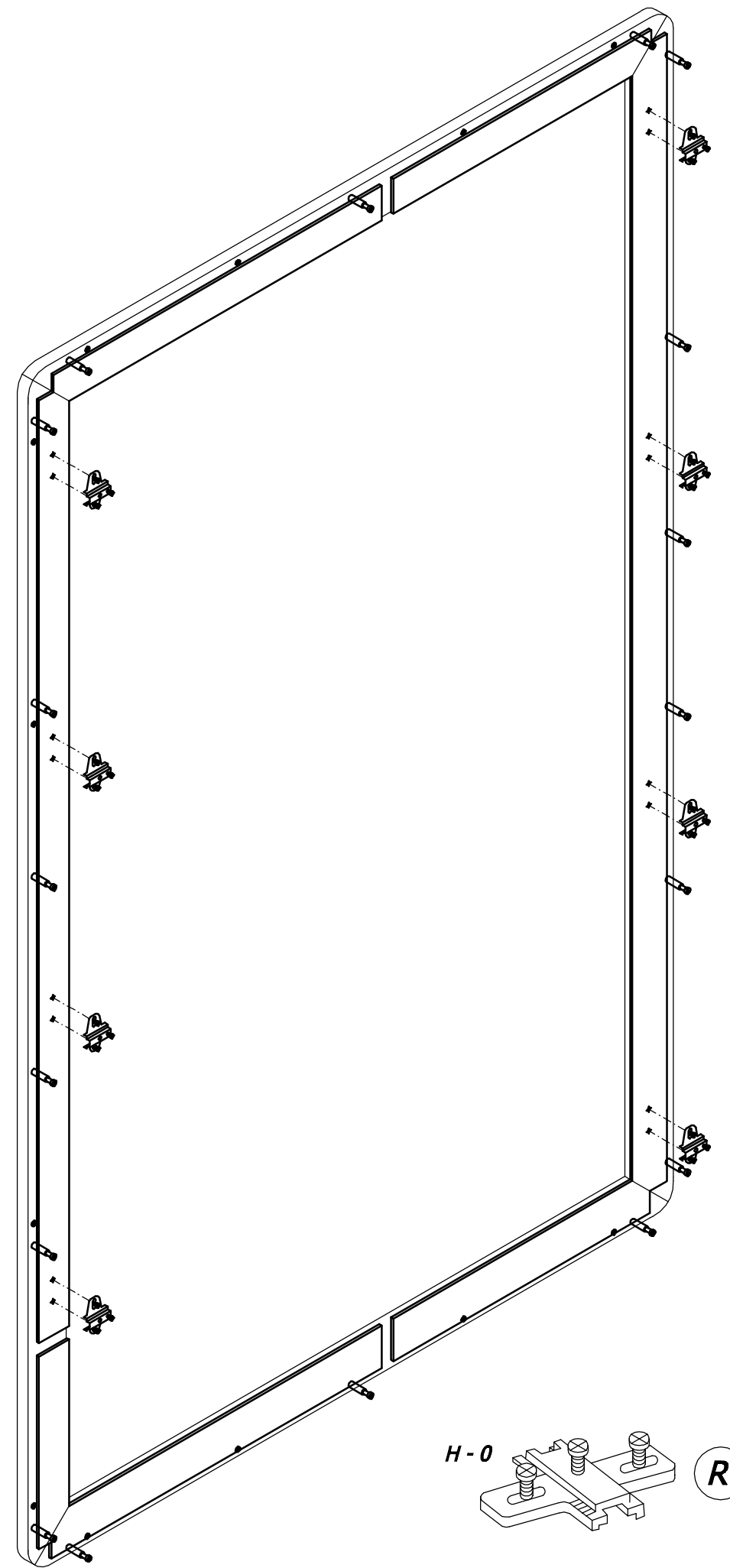


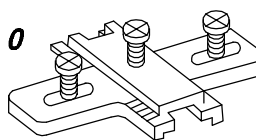
18

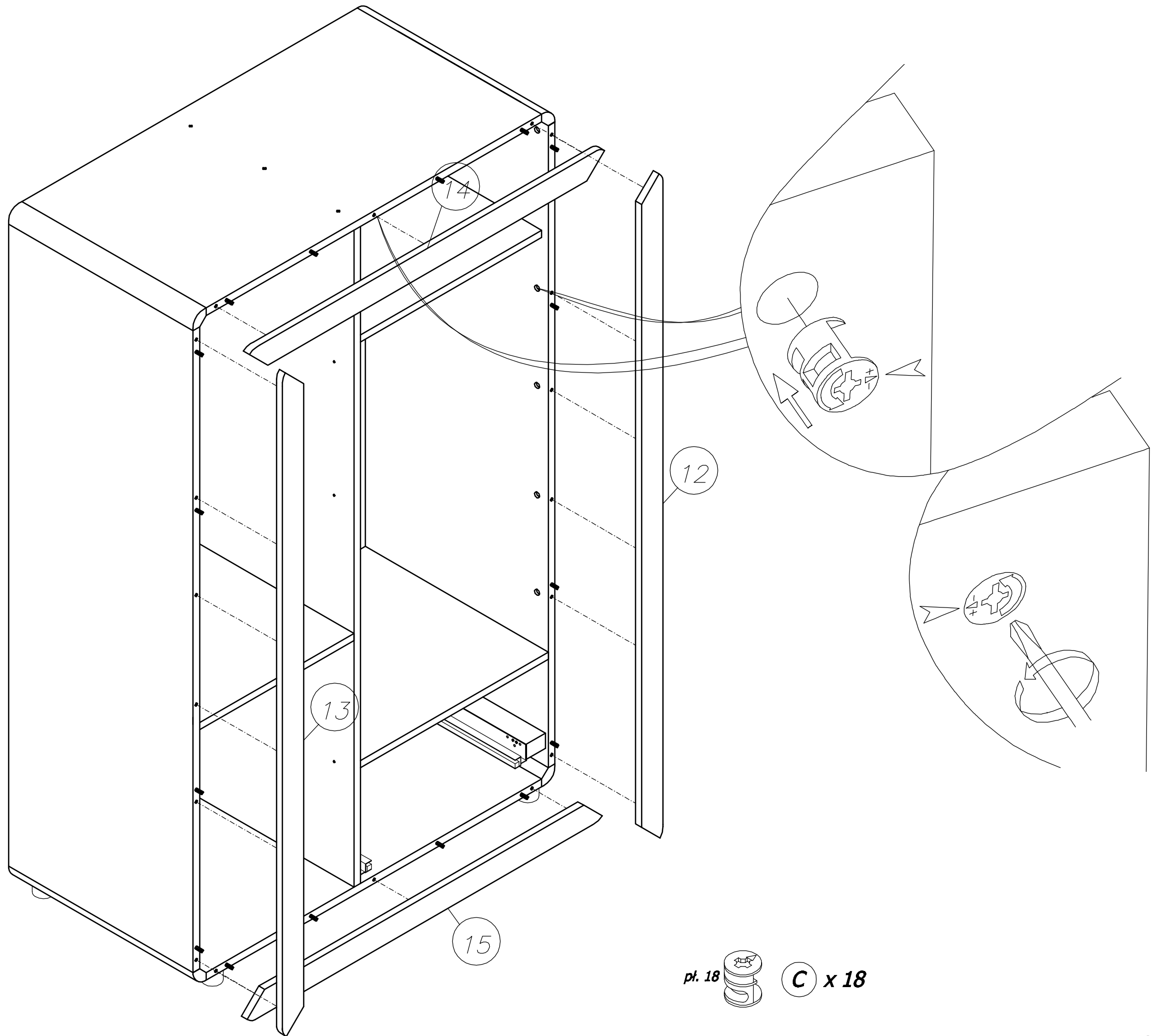


 **B** x 18

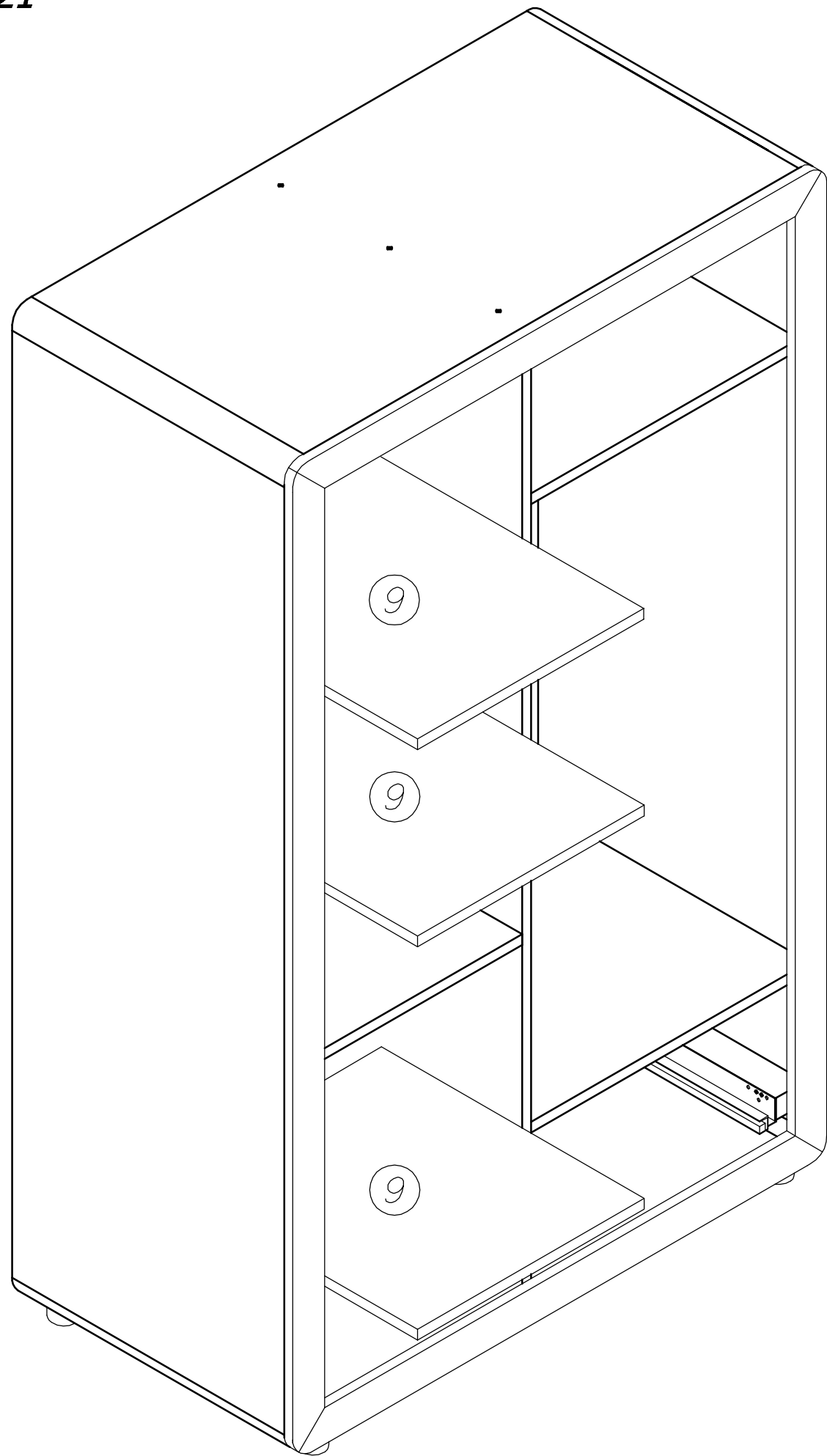
19



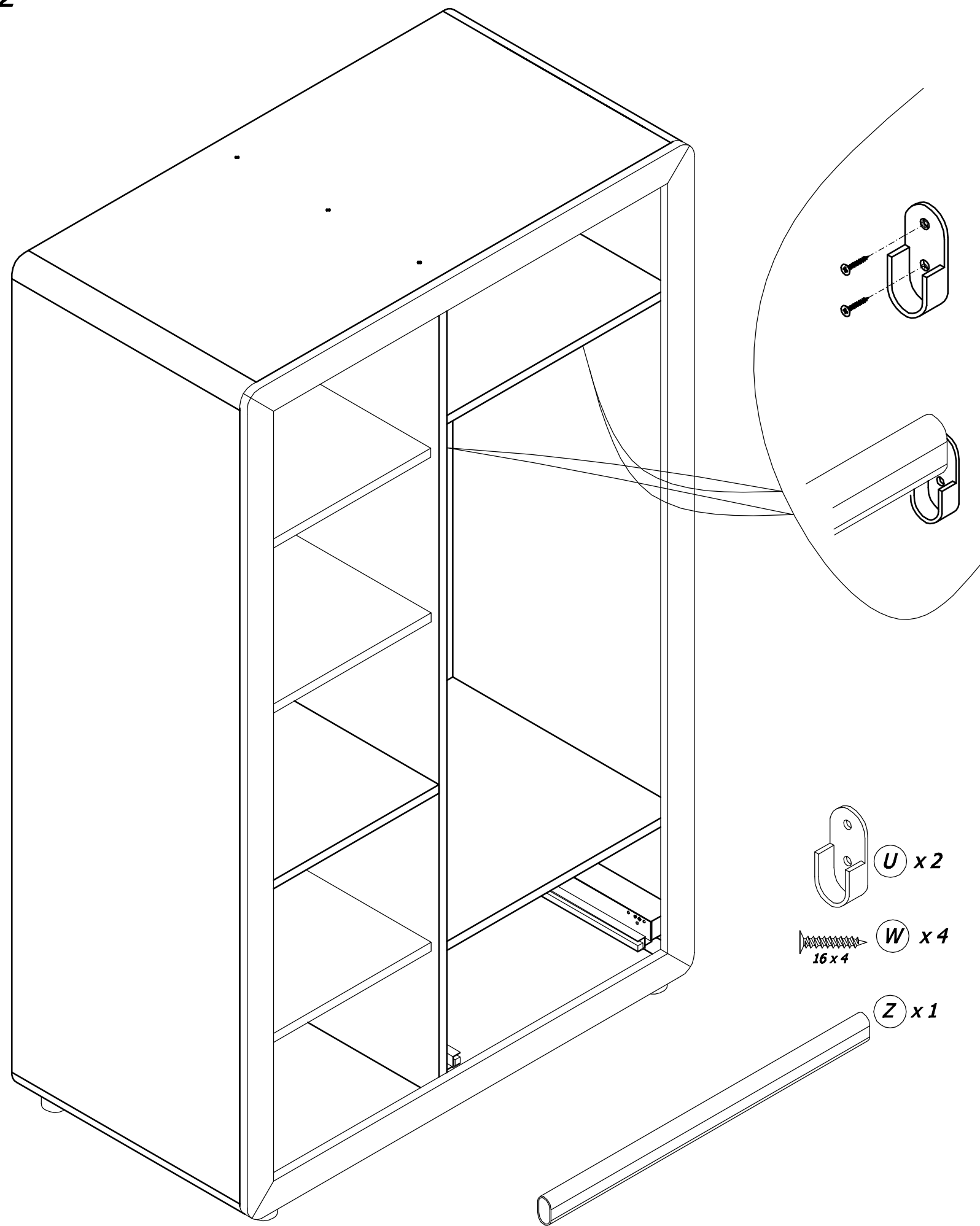
H-0  **R** x 8



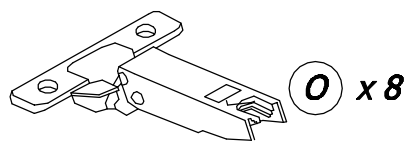
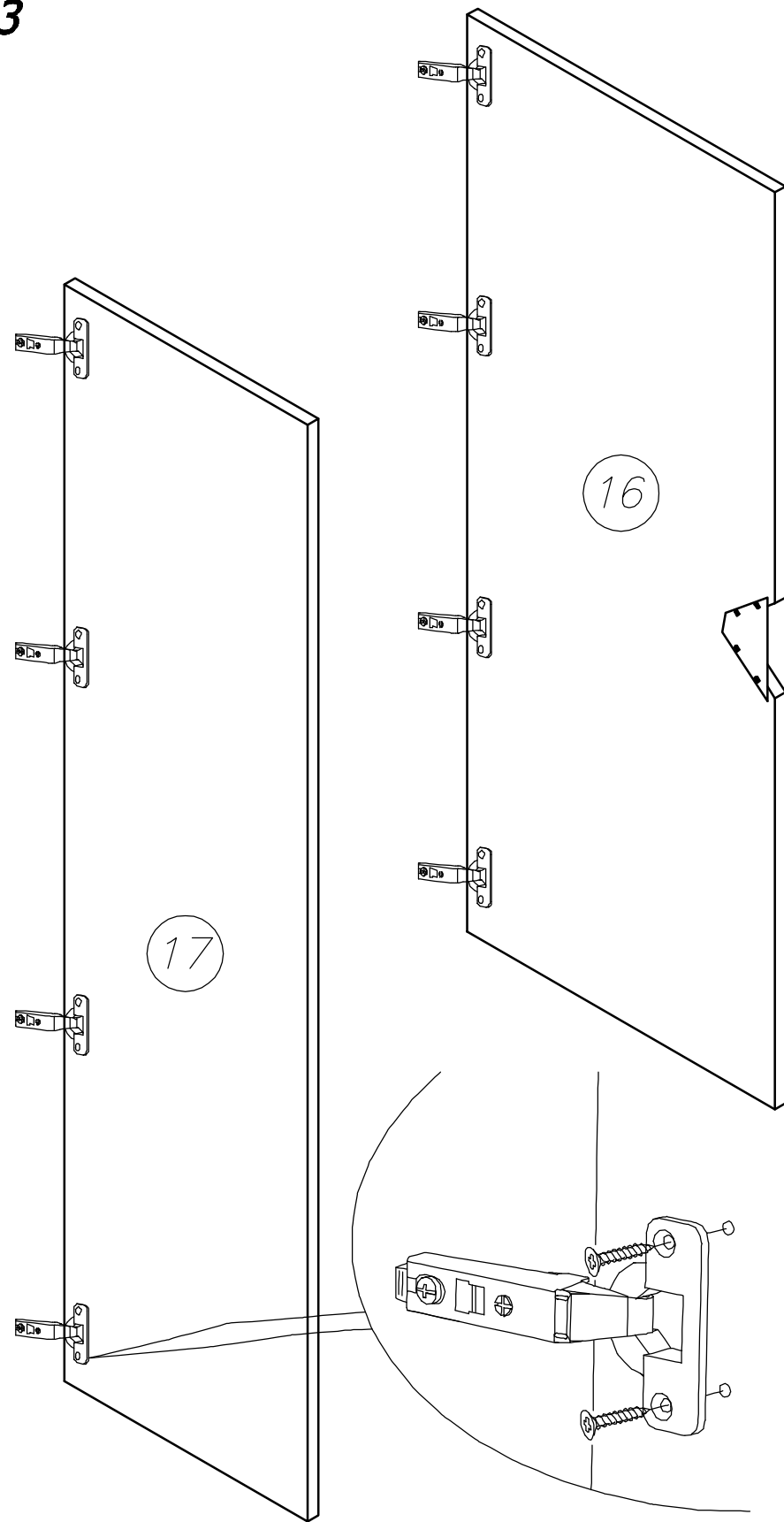
21



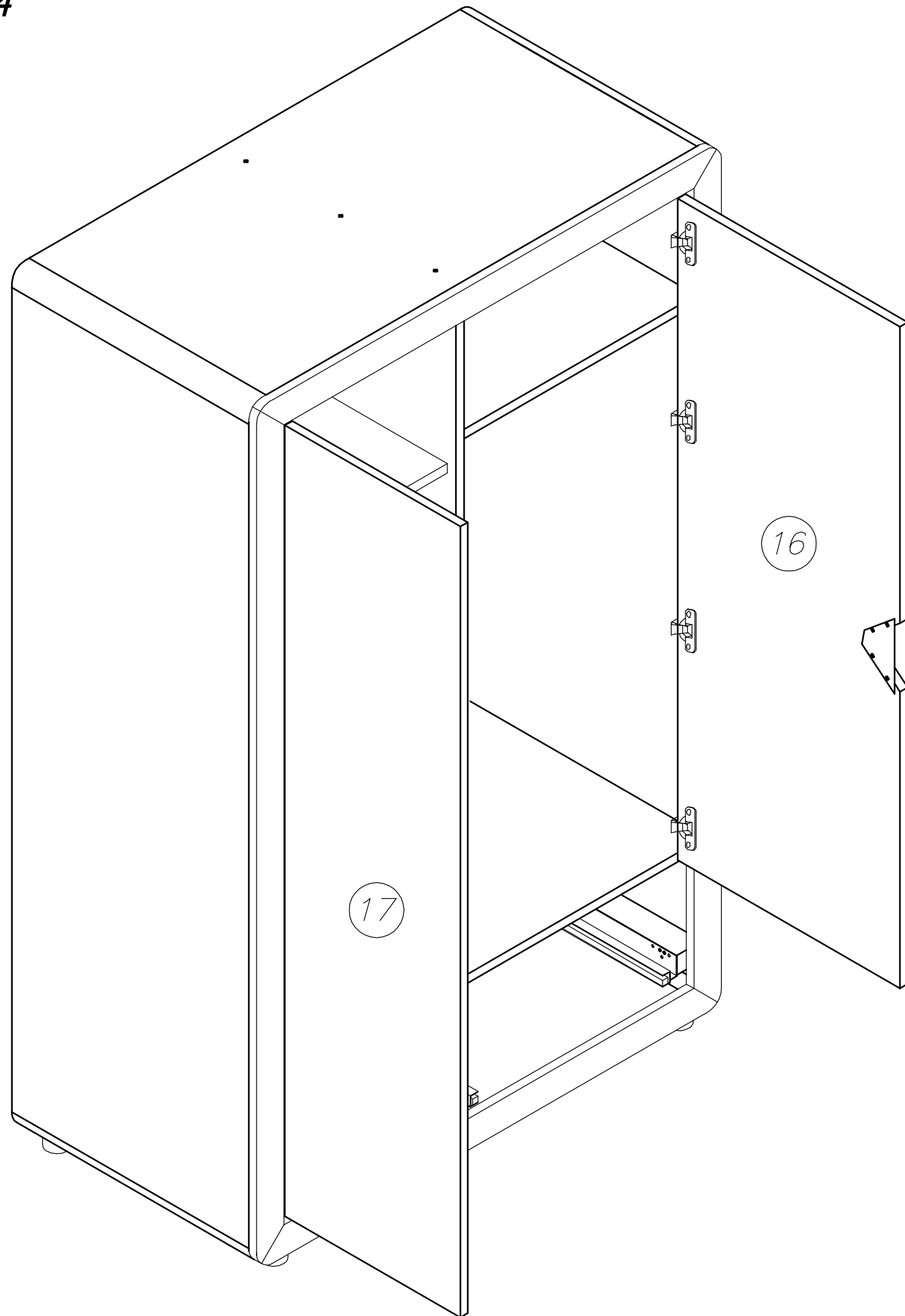
22



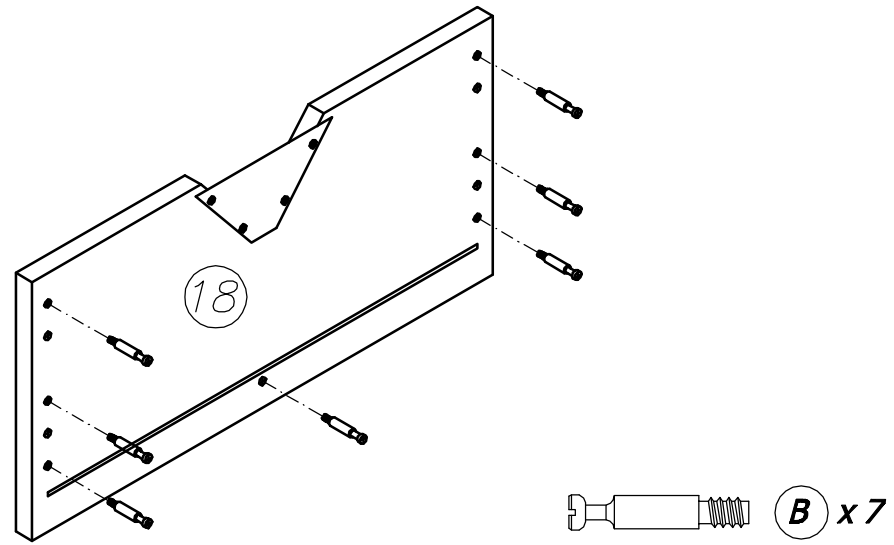
23



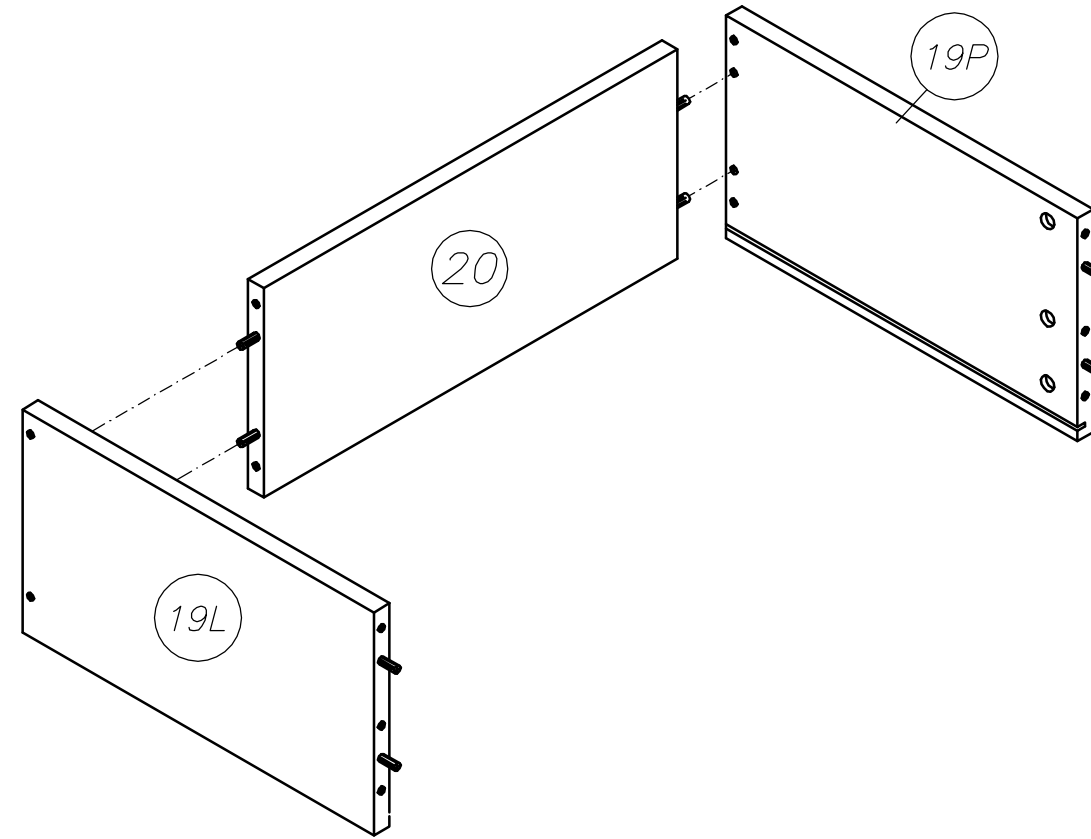
24



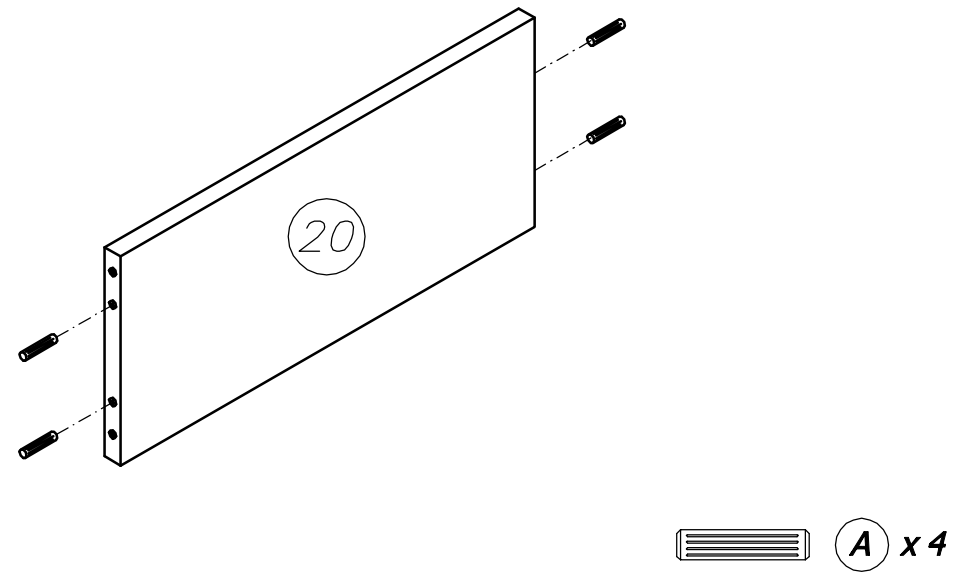
25



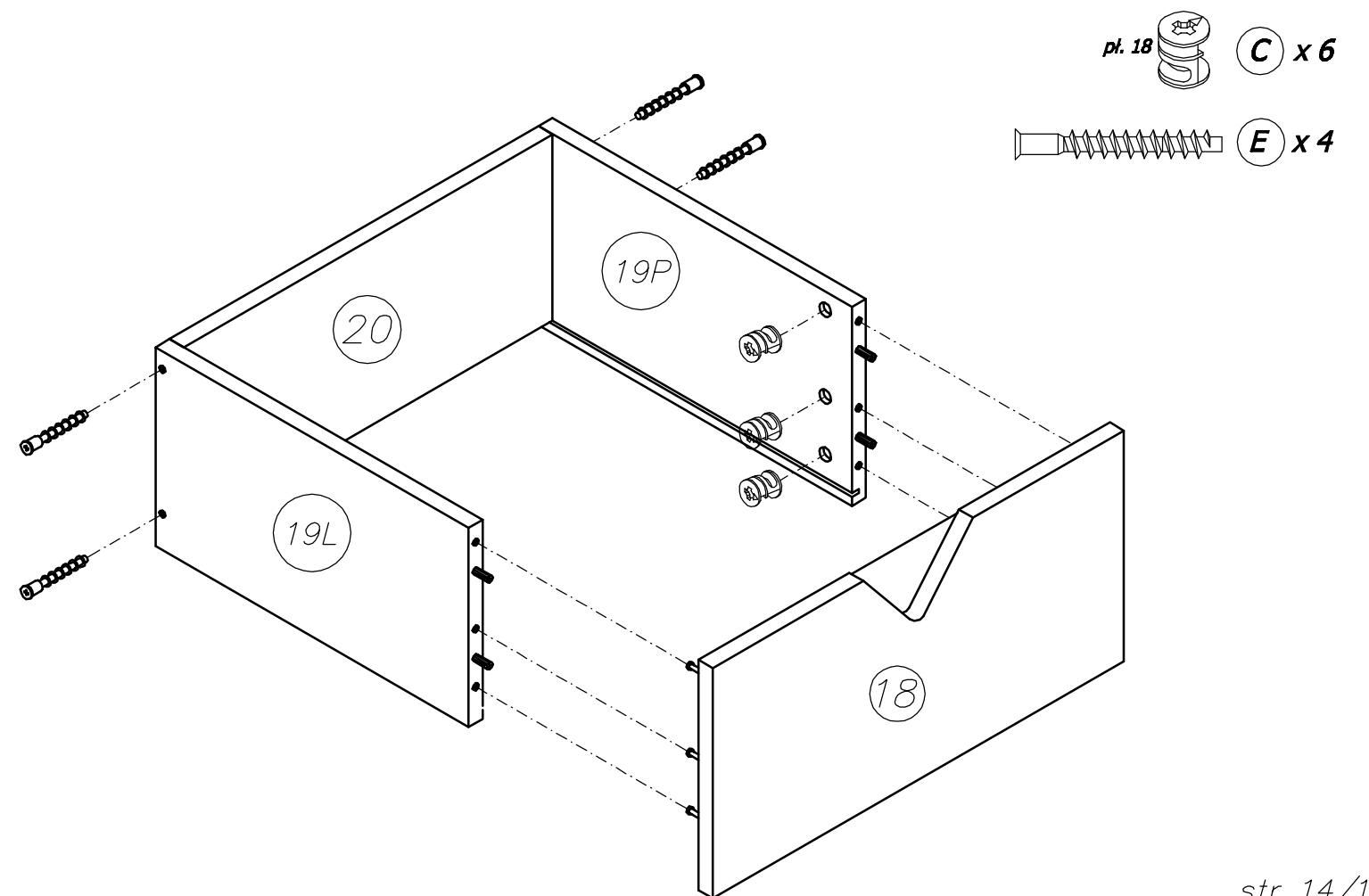
28



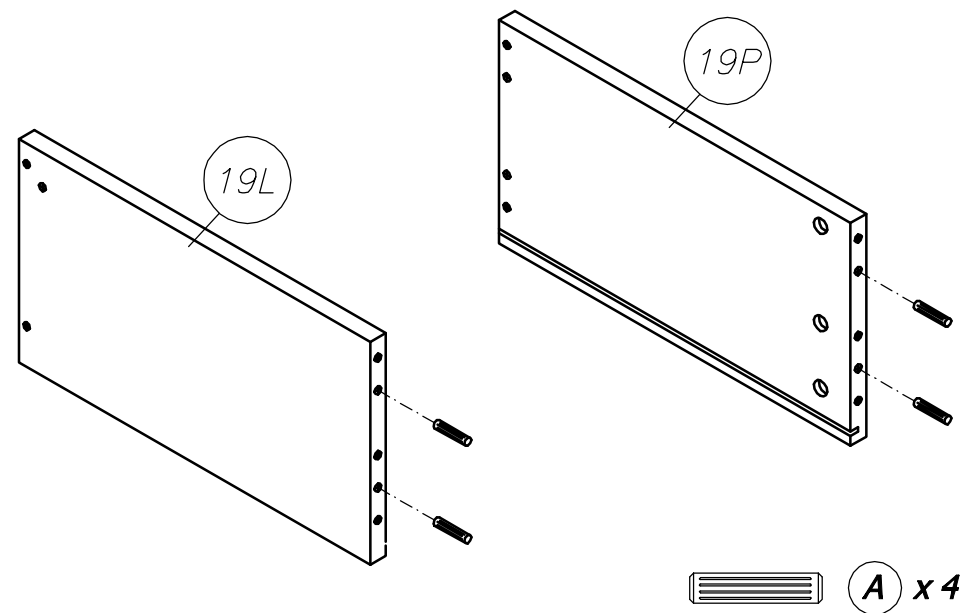
26



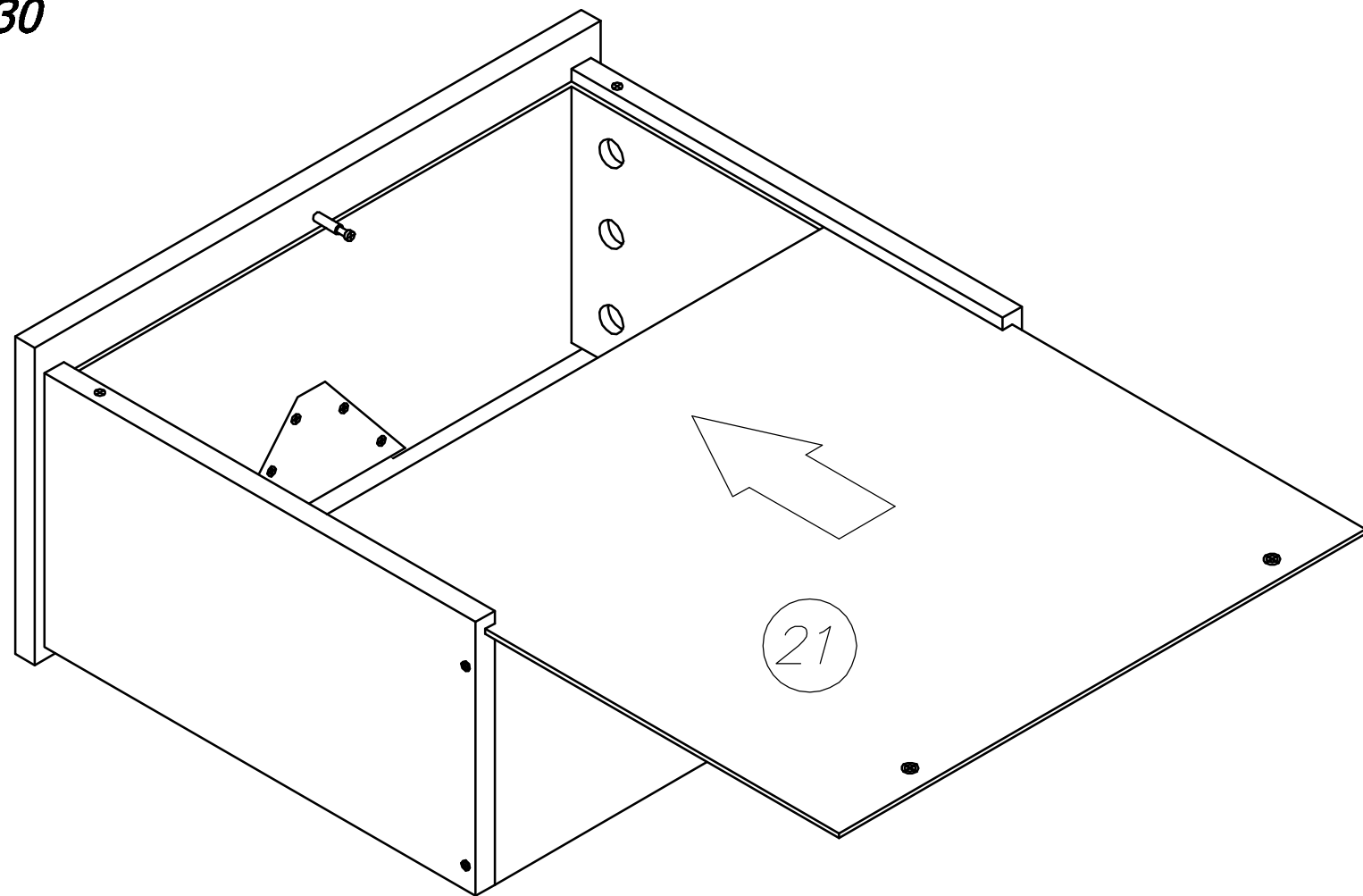
29



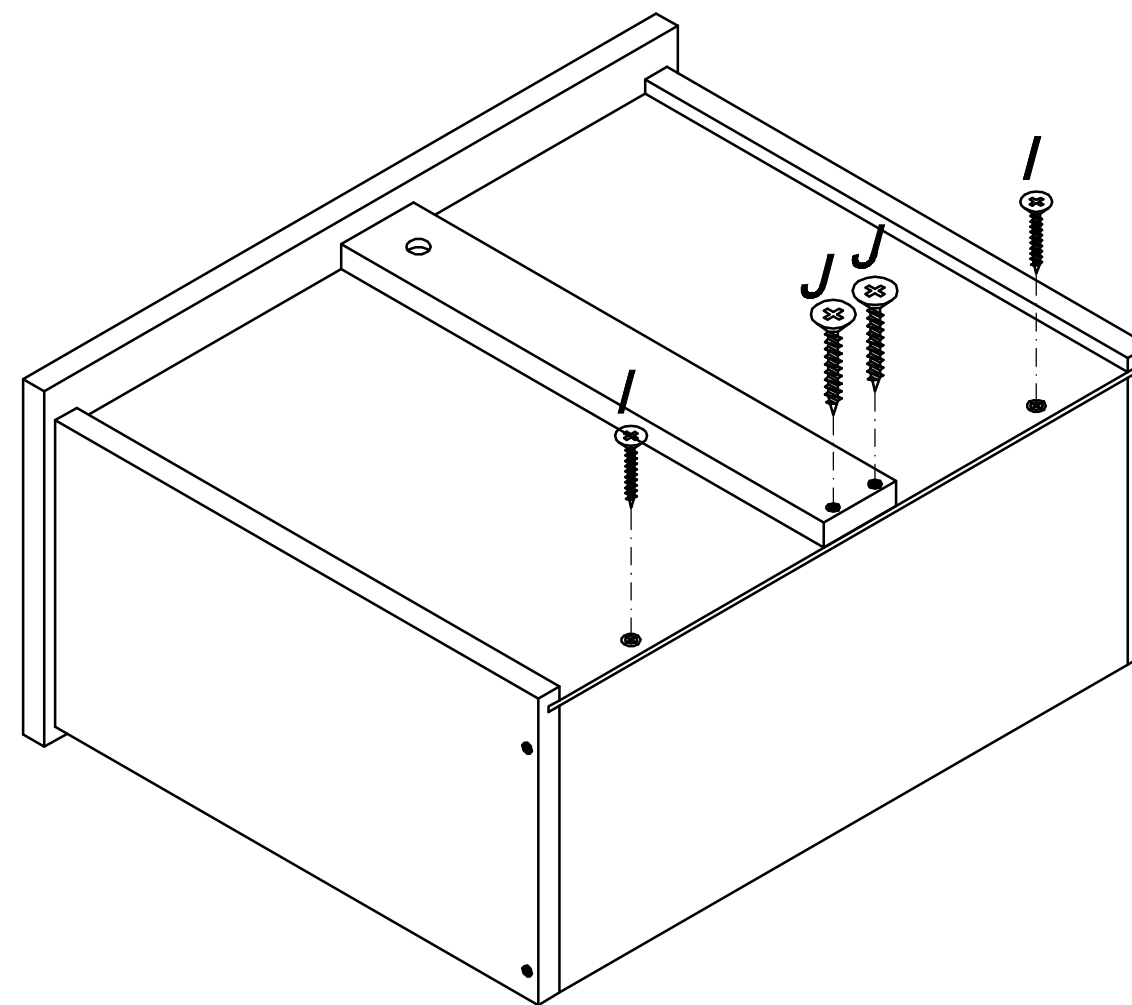
27



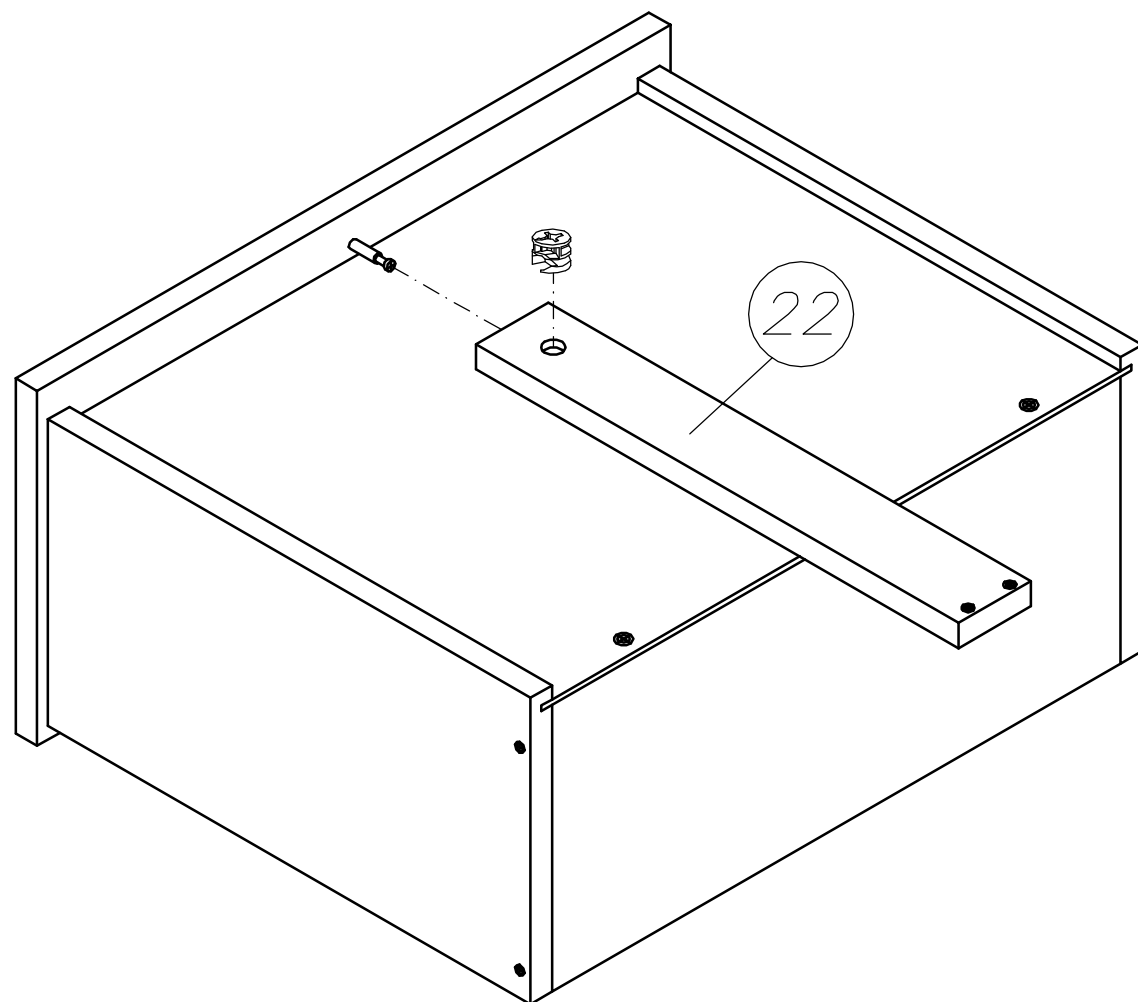
30




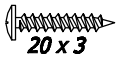
32



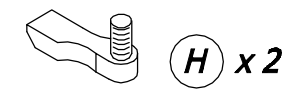
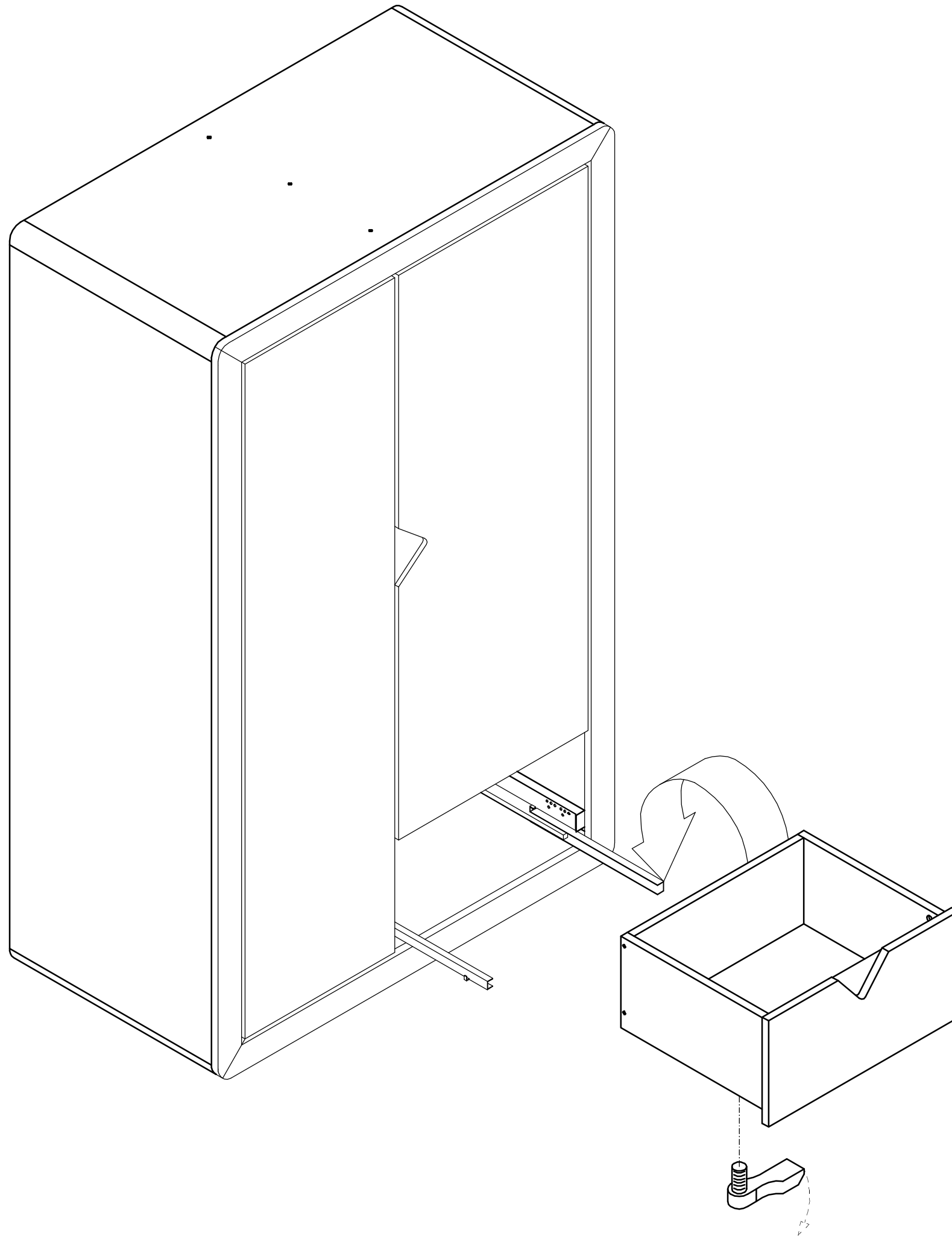
31



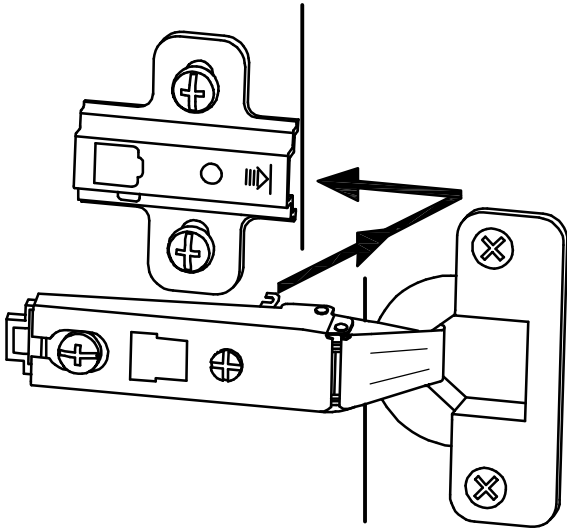
pt. 18  C x 1

 I x 2

 J x 2

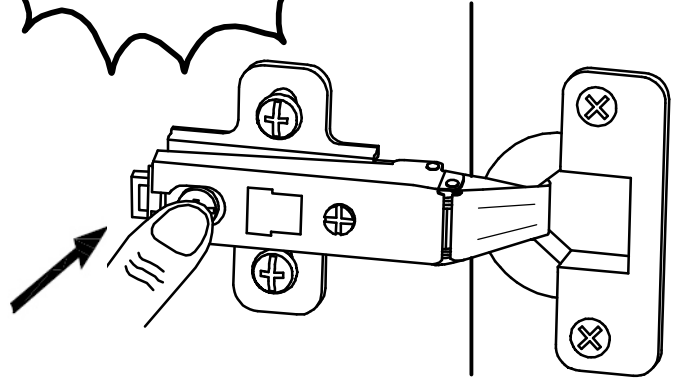


1

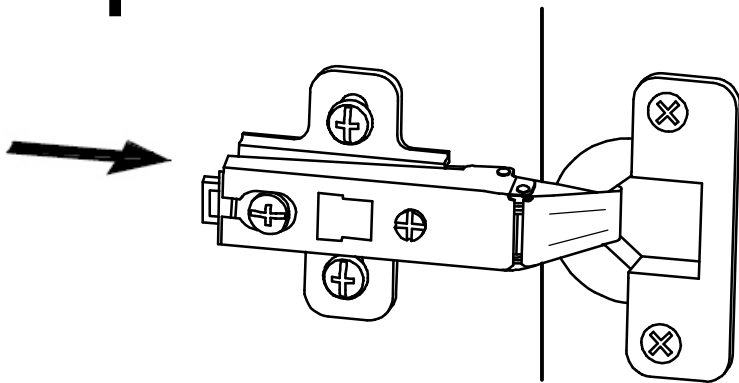


2

clac!



1



2

