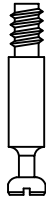


A x 50



B x 32



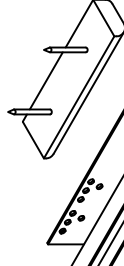
C x 32



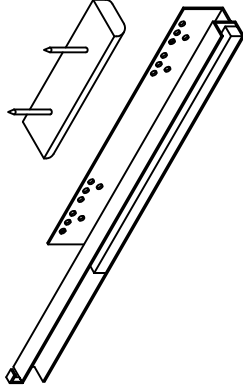
D x 16



E x 4



F x 4P+4L



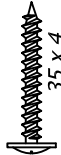
G x 16



H x 8



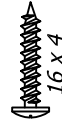
I x 12



K x 43



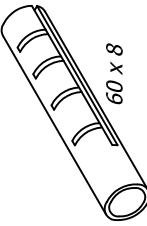
L x 4



M x 8



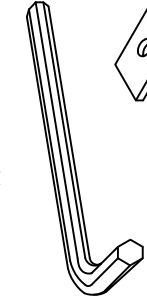
N x 2



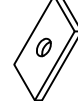
O x 2



P x 1



R x 3

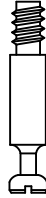


1

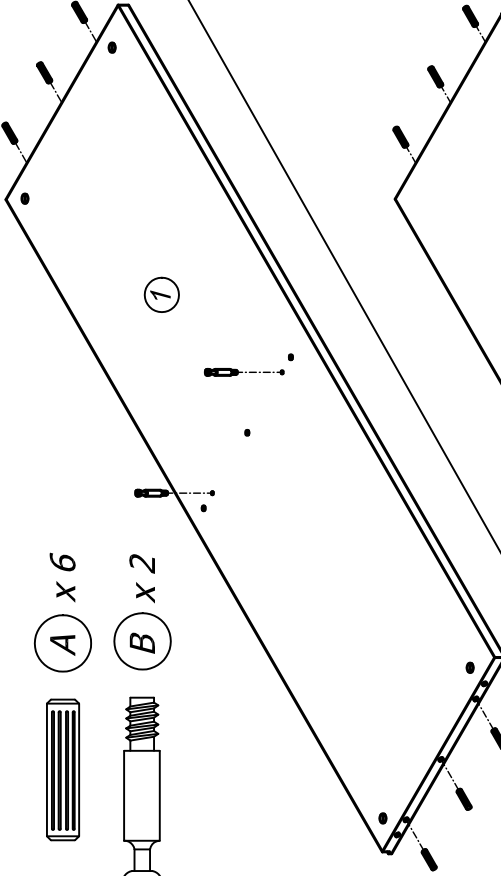
A x 6



B x 2

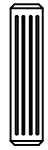


1

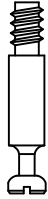


2

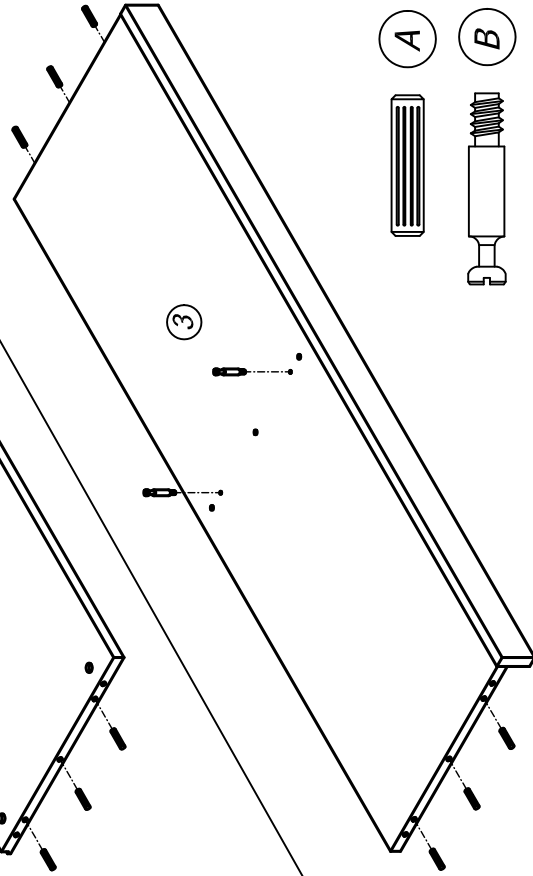
A x 6



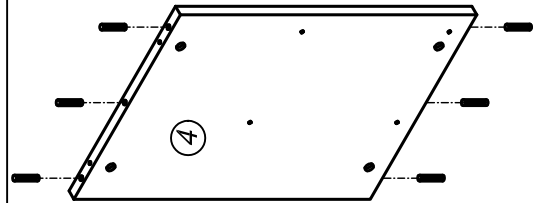
B x 2



3



3

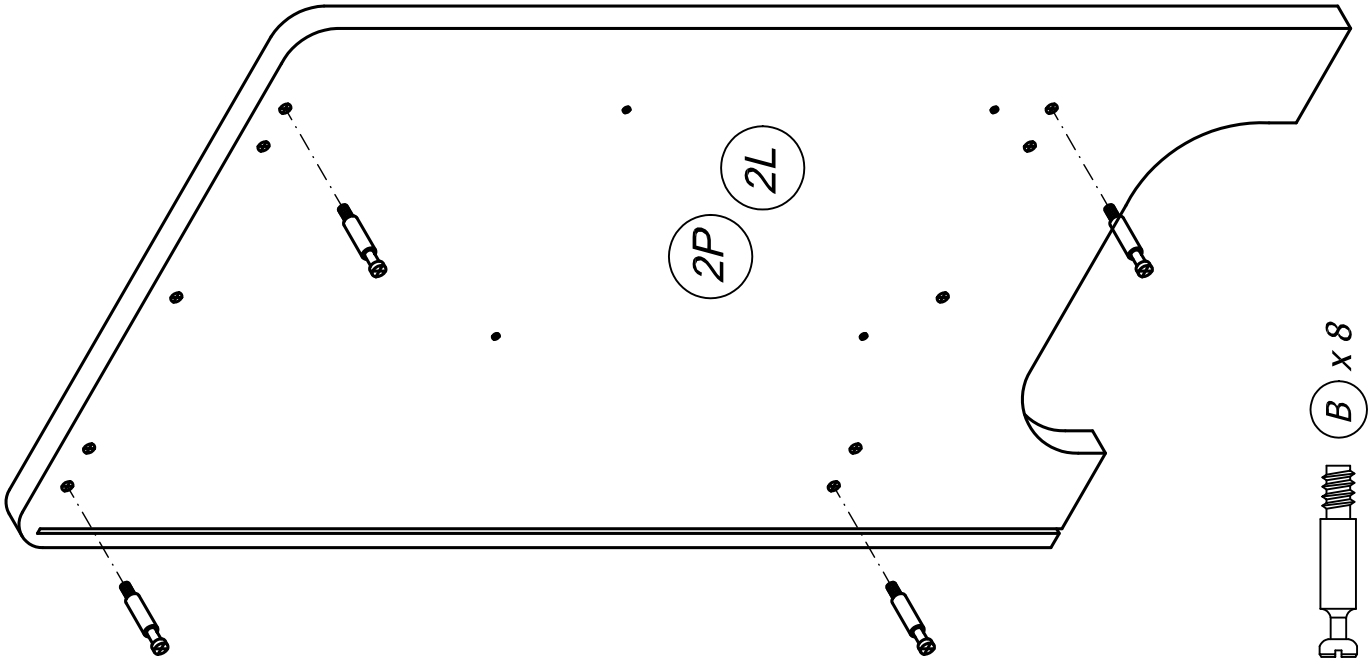



A x 6



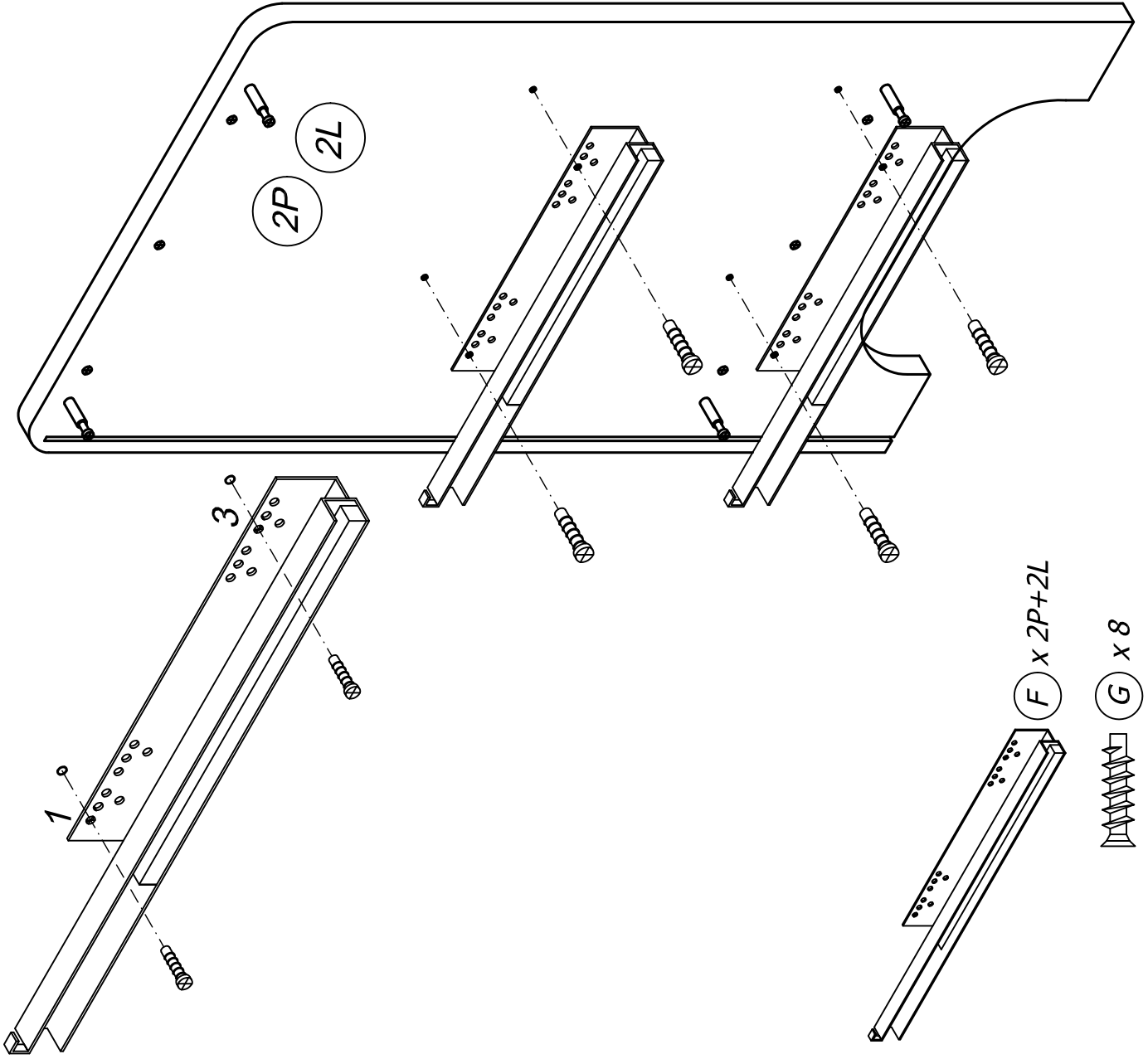
str 2/12

4



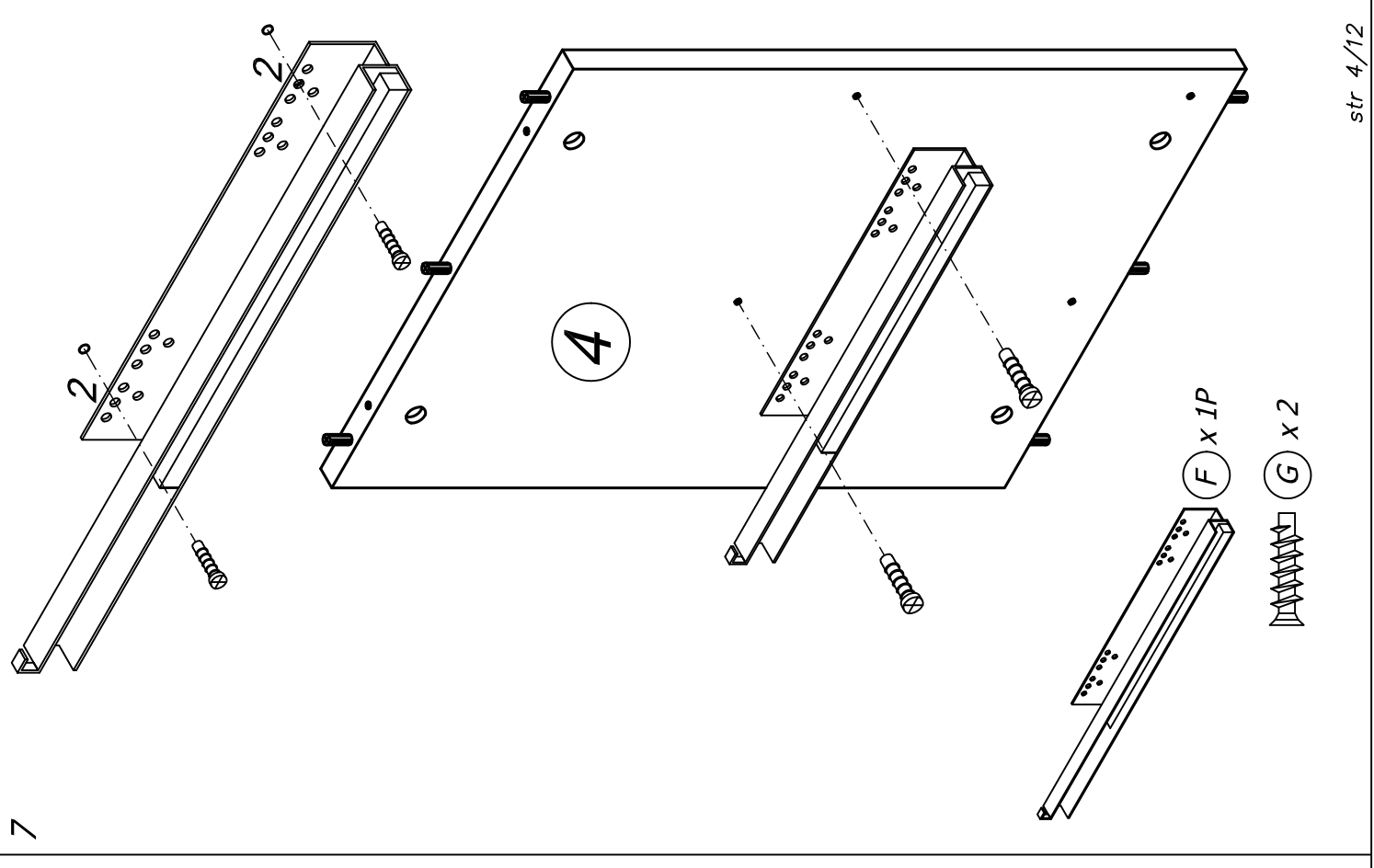
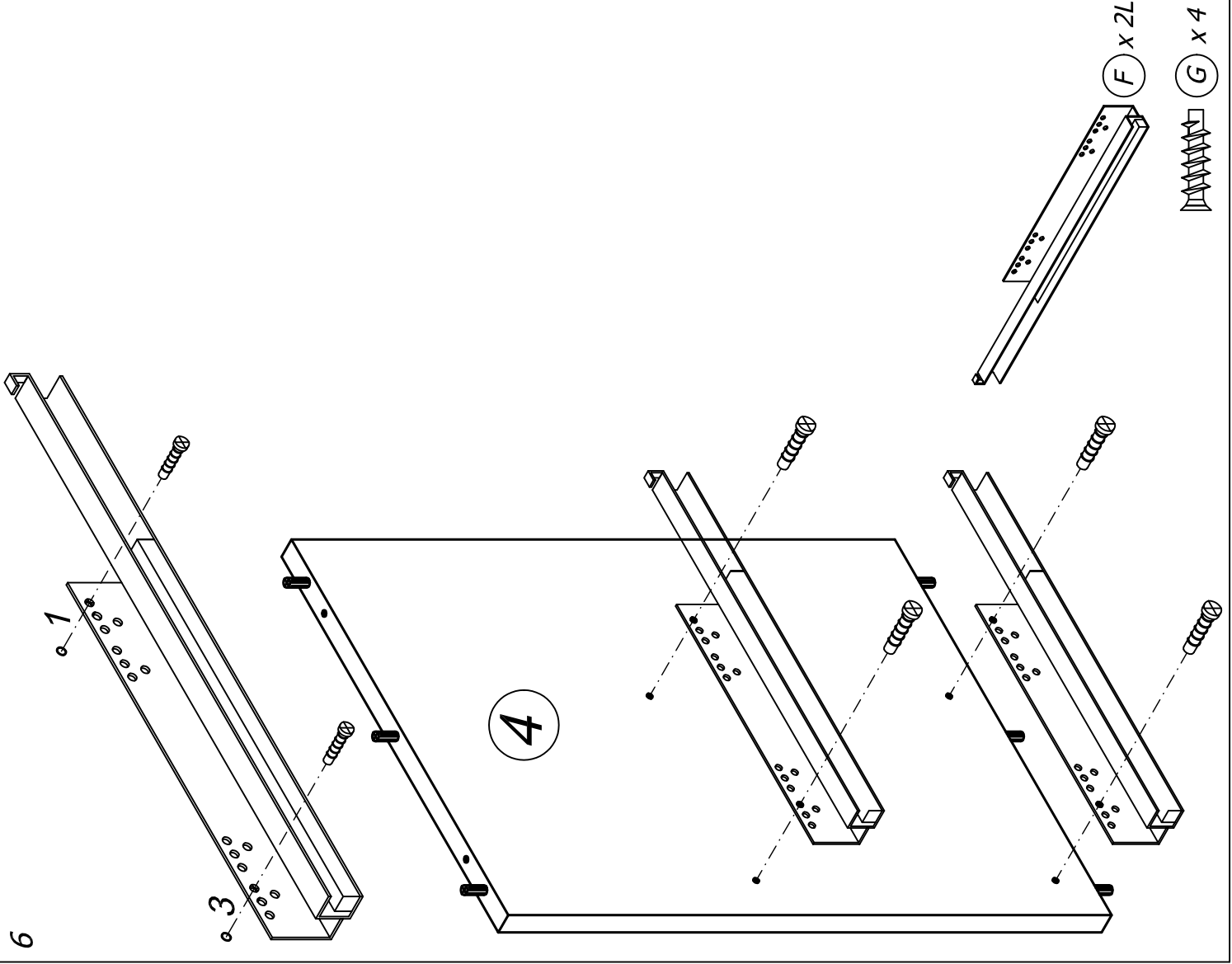
 **B** x 8

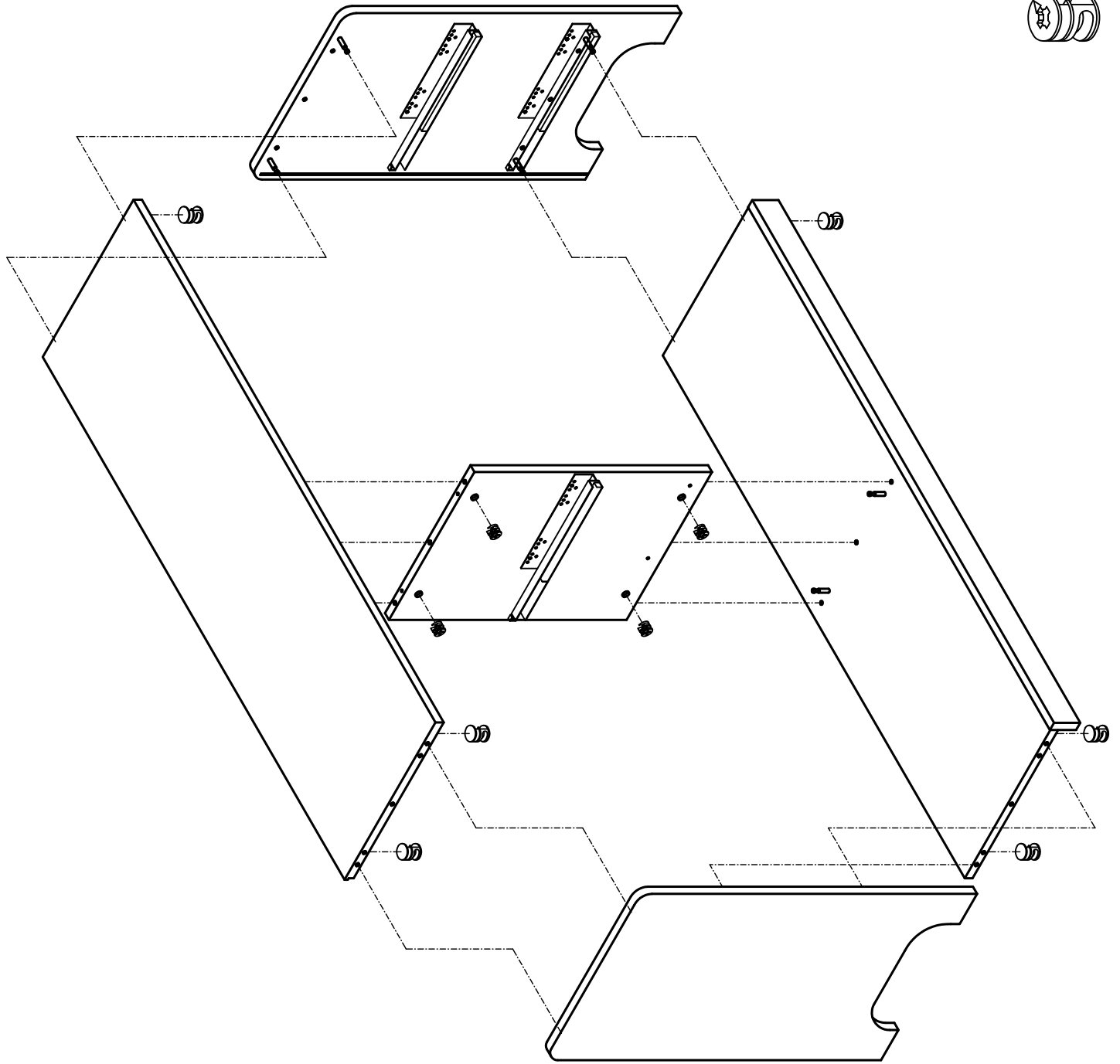
5




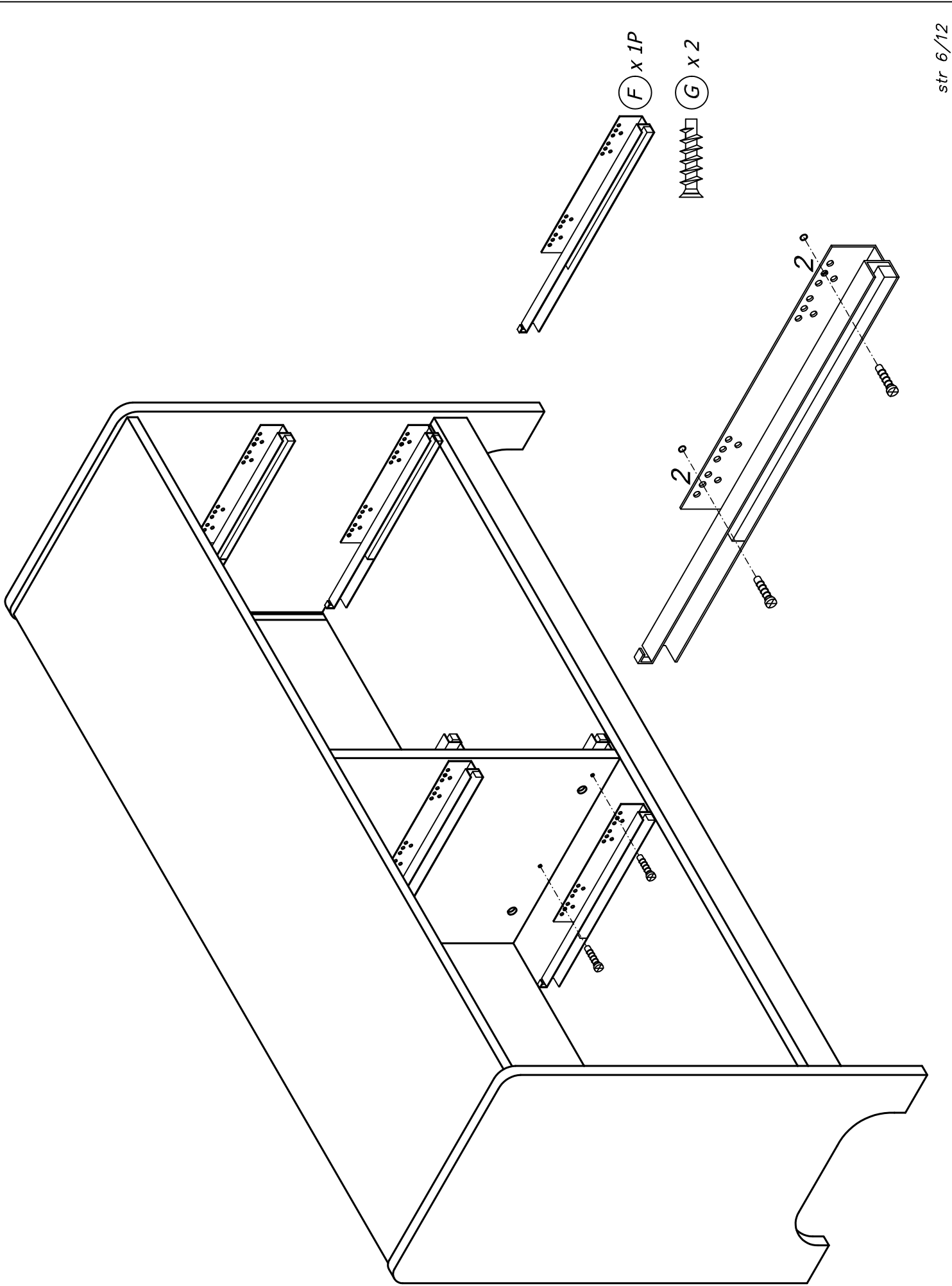
**F** x 2P+2L

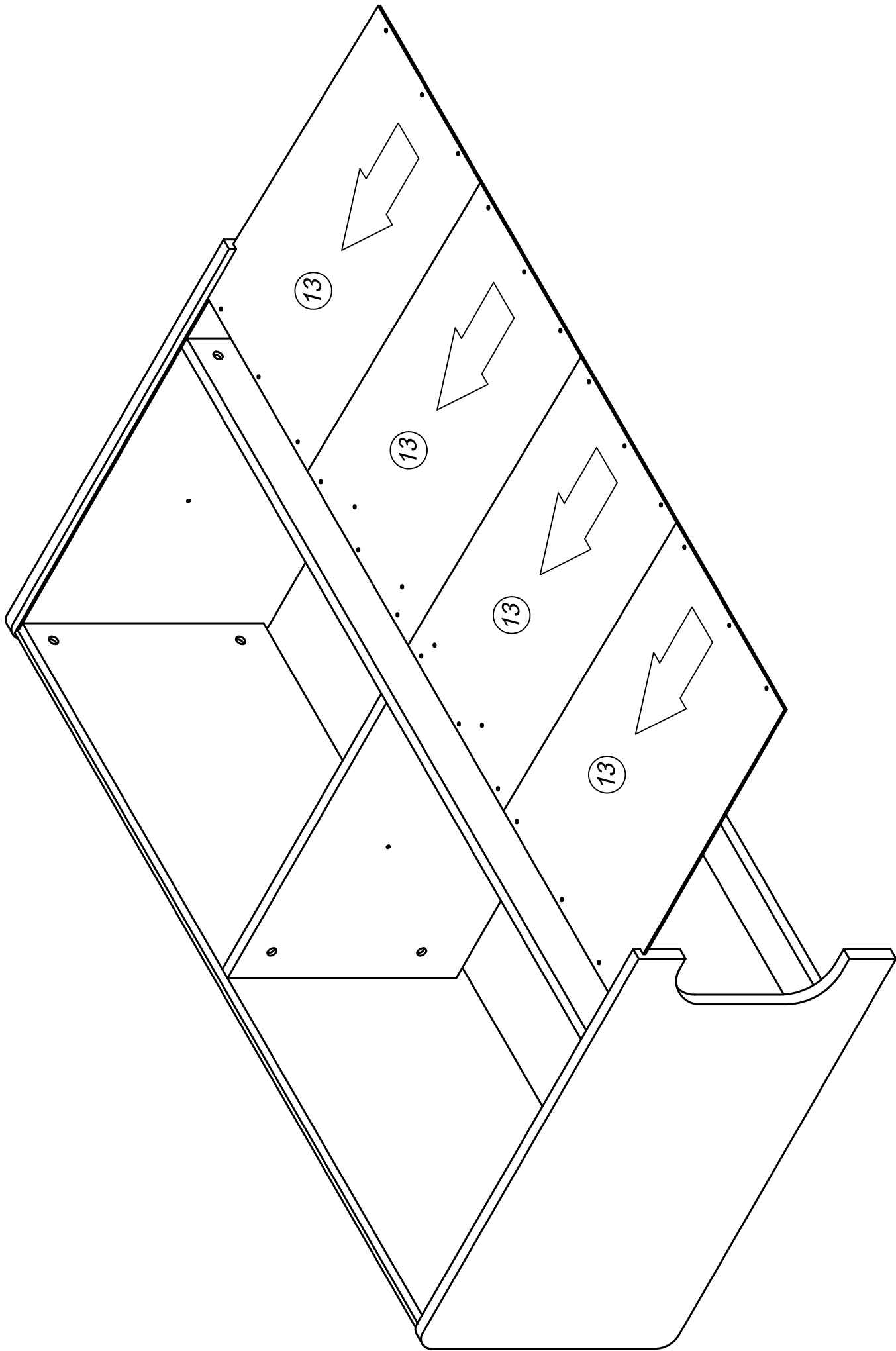
 **G** x 8

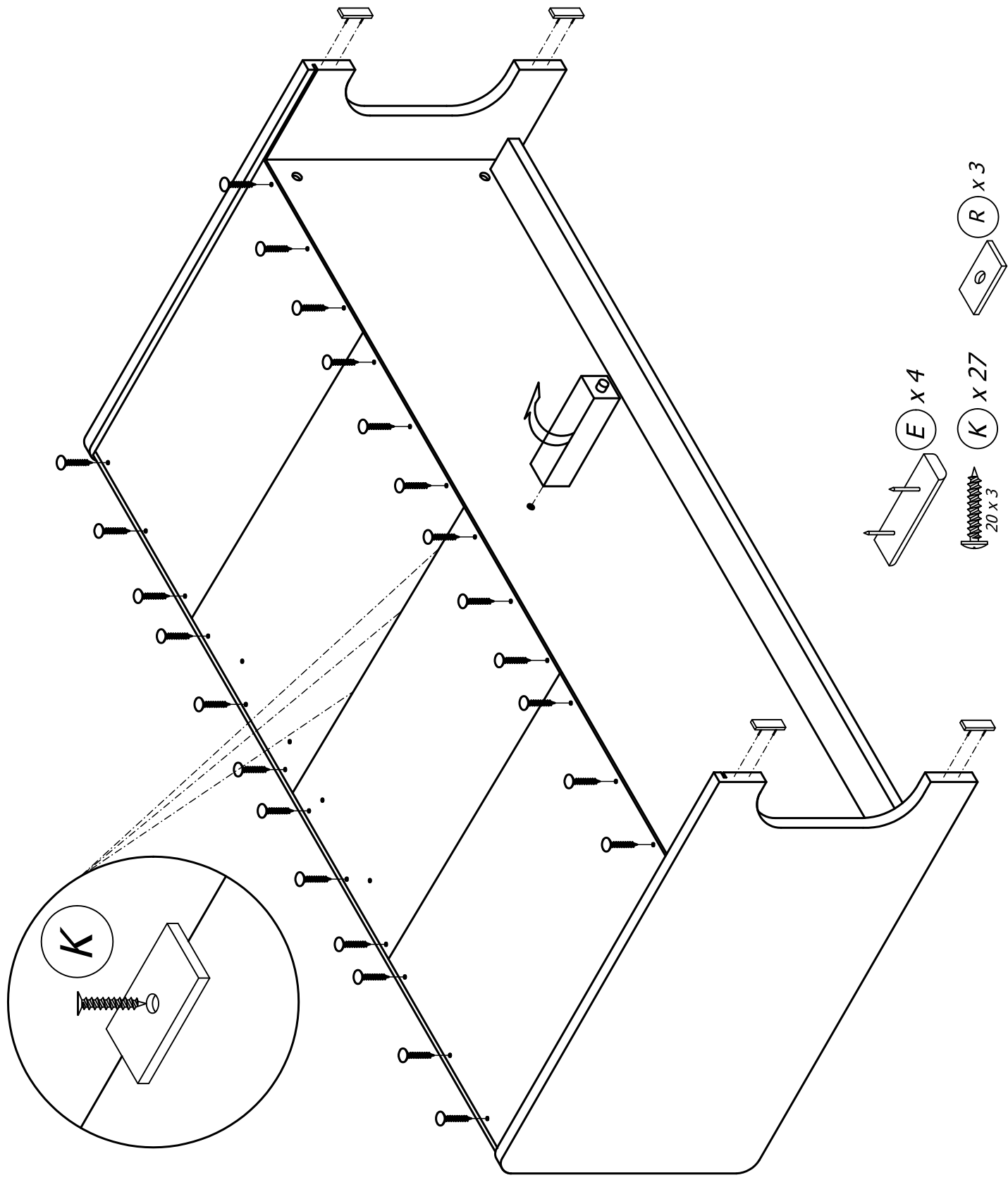




 C x 12

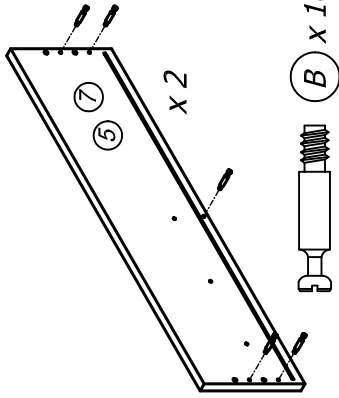




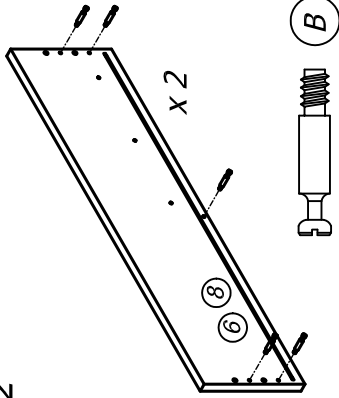




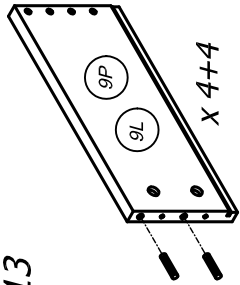
11



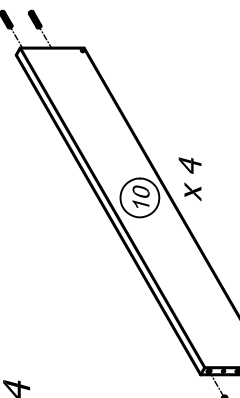
12



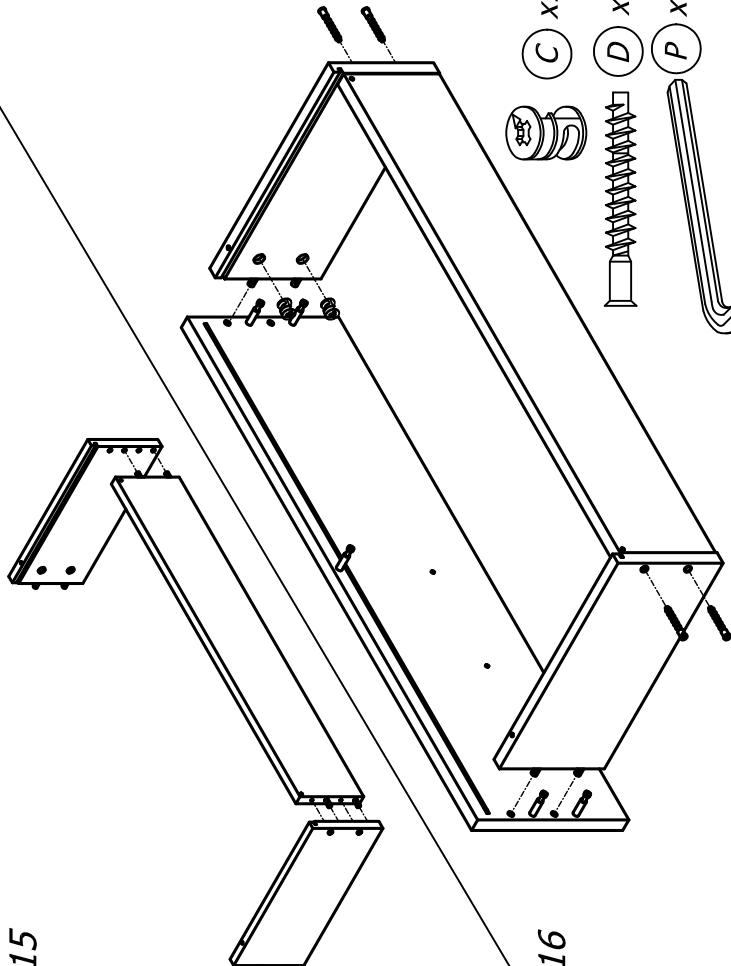
13



14

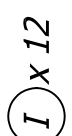
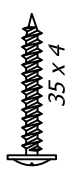
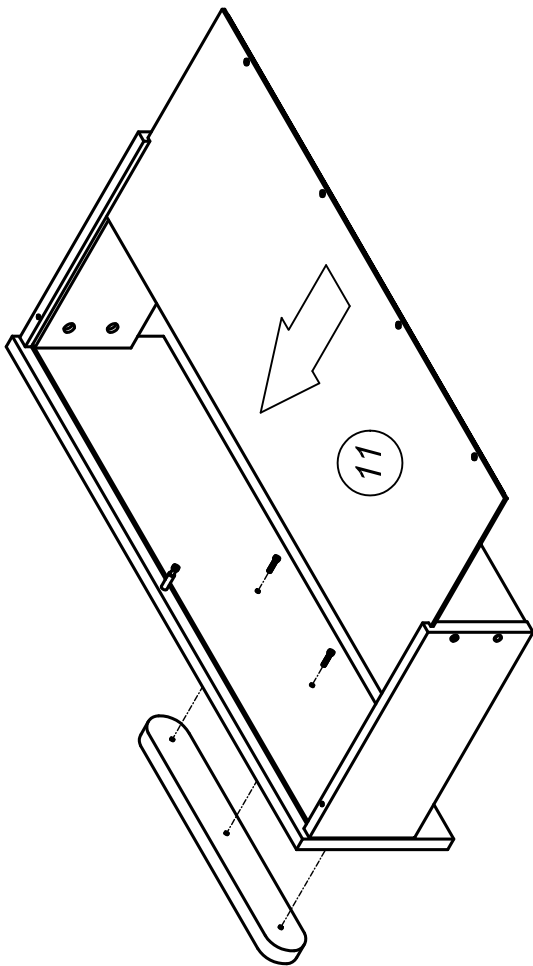


15

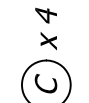
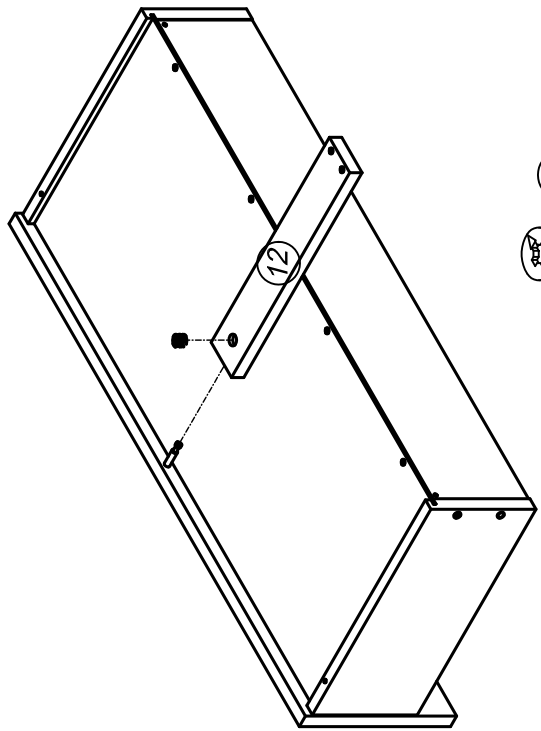


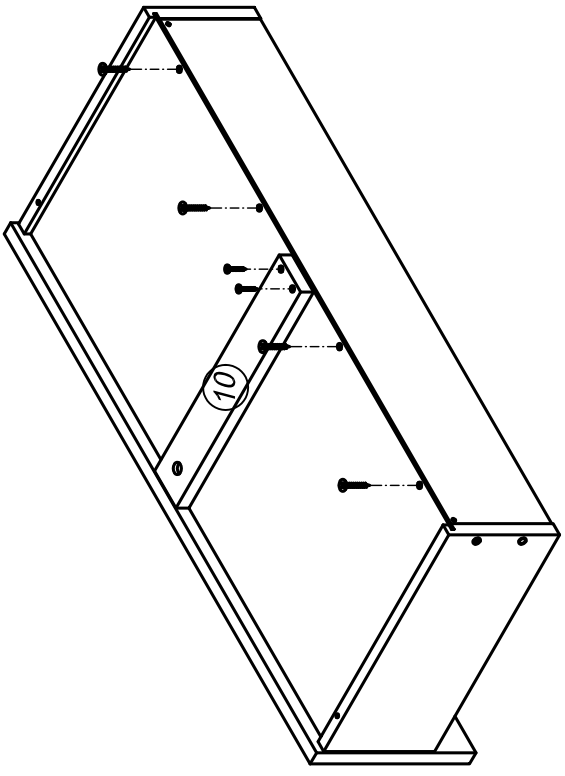
16



17



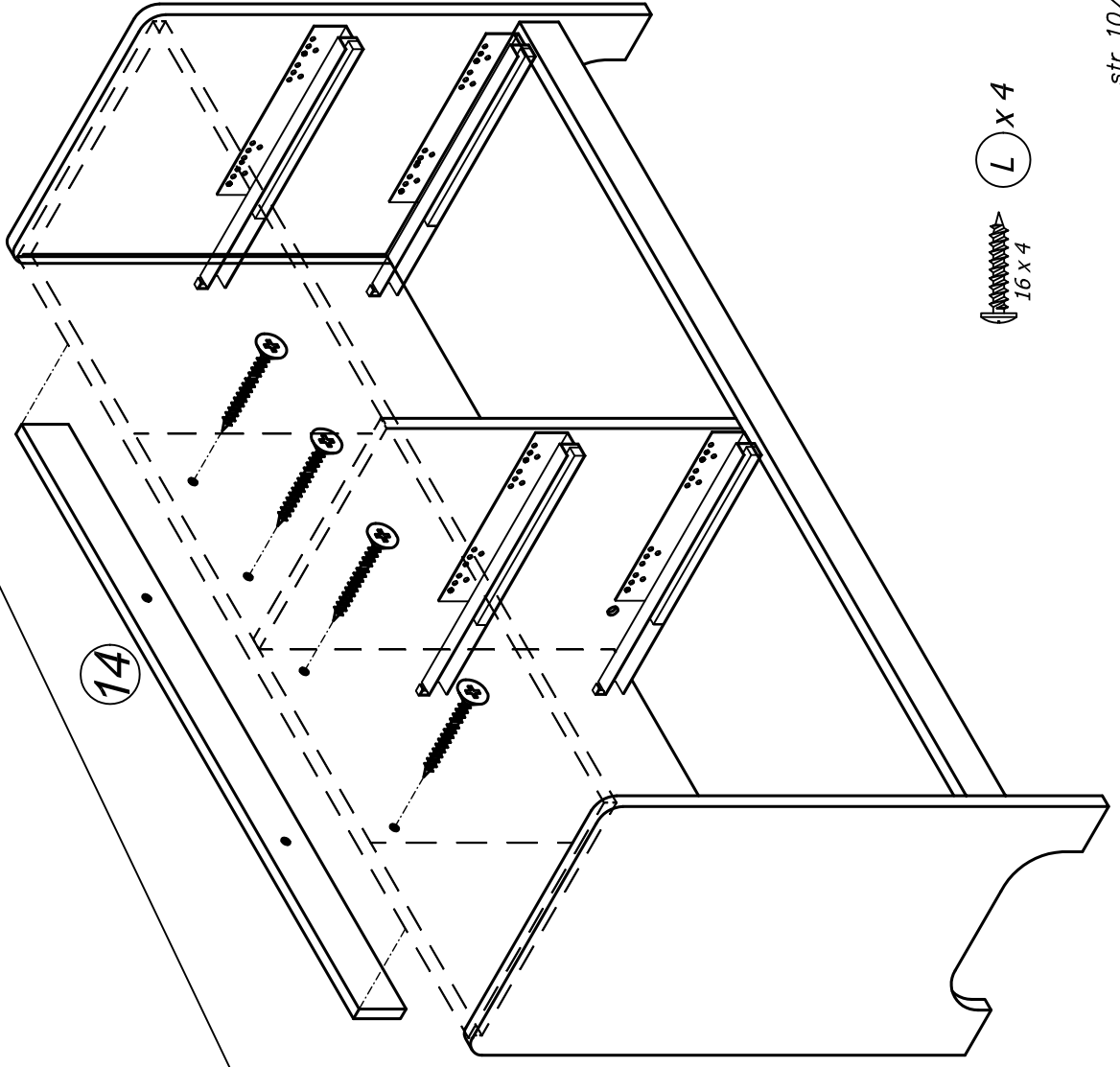
18



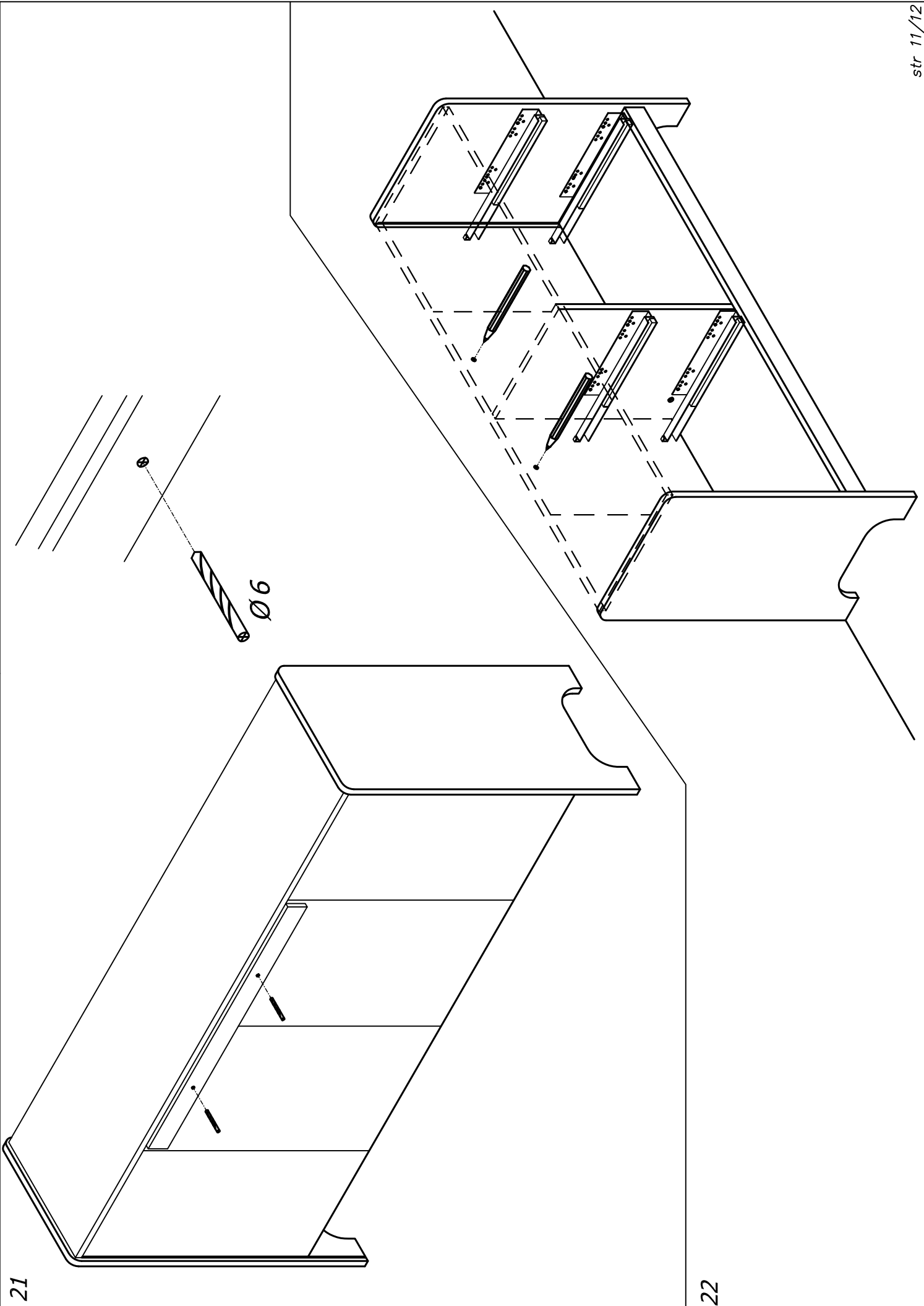


-   $20 \times 3$     **K**  $\times 16$
-   $35 \times 4$     **M**  $\times 8$

14



-   $16 \times 4$     **L**  $\times 4$



21

22

