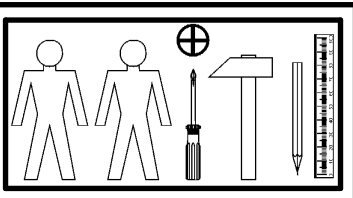
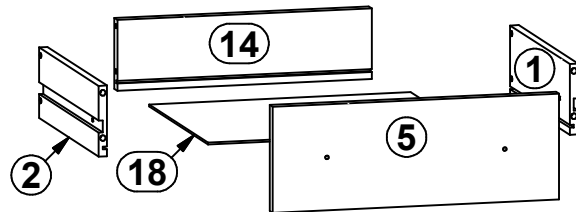
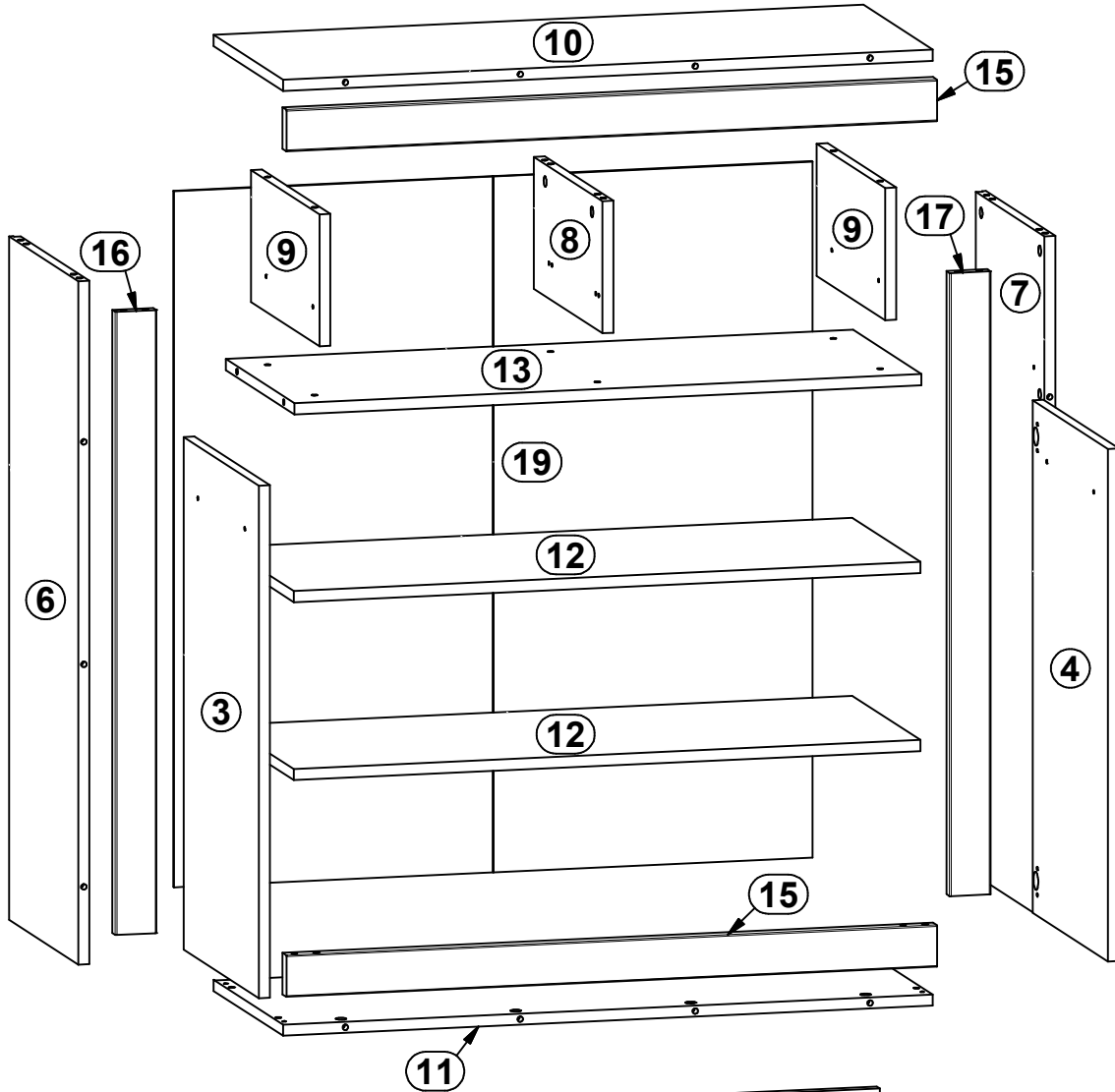
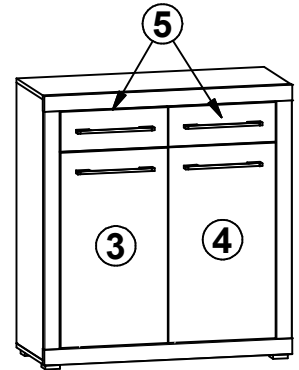
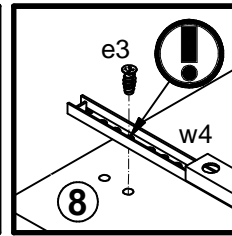
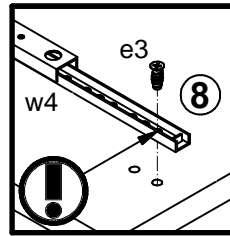
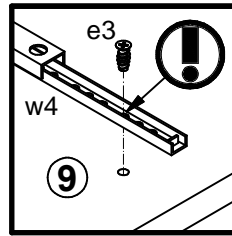
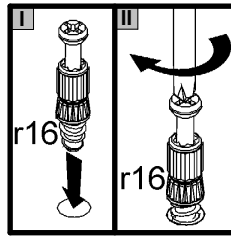
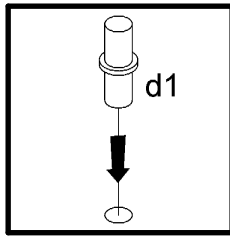
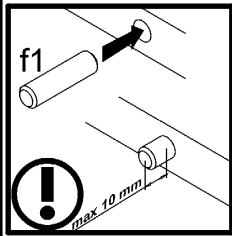
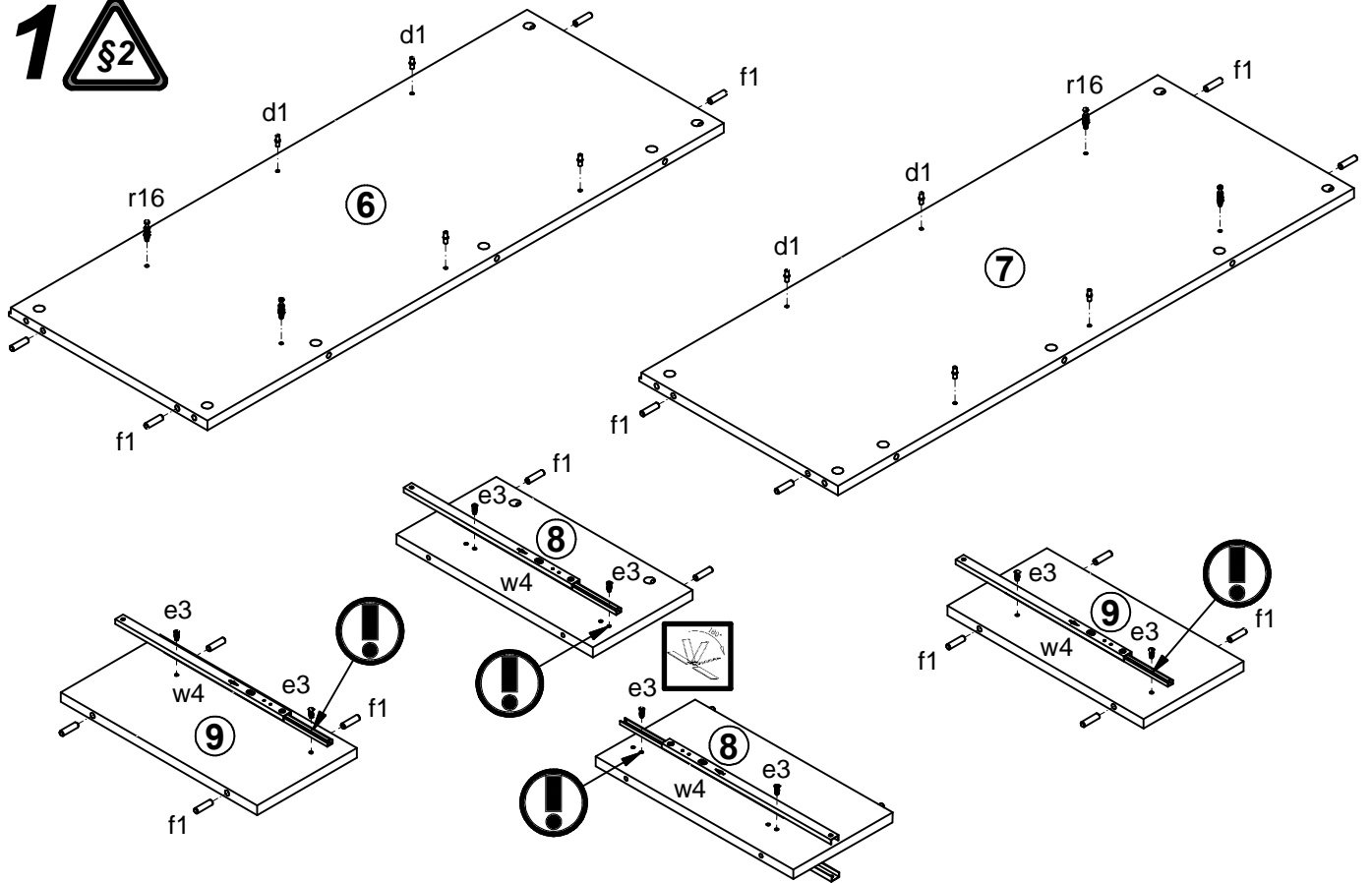


A	B	C	D	A	B	C	D		
1	MZ1-522	320	100	2/2	11	S19-2010	951	378	1/2
2	MZ1-523	320	100	2/2	12	S19-3349	917	372	1/2
3	S19-0100	412	737	2/2	13	S19-3350	918	374	1/2
4	S19-0101	412	737	2/2	14	S19-5516	366	100	2/2
5	S19-097	412	150	2/2	15	S19-749	952	60	2/2
6	S19-1201	983	378	1/2	16	S19-753	896	60	2/2
7	S19-1202	983	378	1/2	17	S19-754	896	60	2/2
8	S19-1204	190	374	2/2	18	S19-9940	376	315	2/2
9	S19-1205	190	374	2/2	19	S19-9945	1001	935	2/2
10	S19-2009	951	378	1/2					

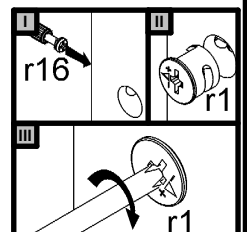
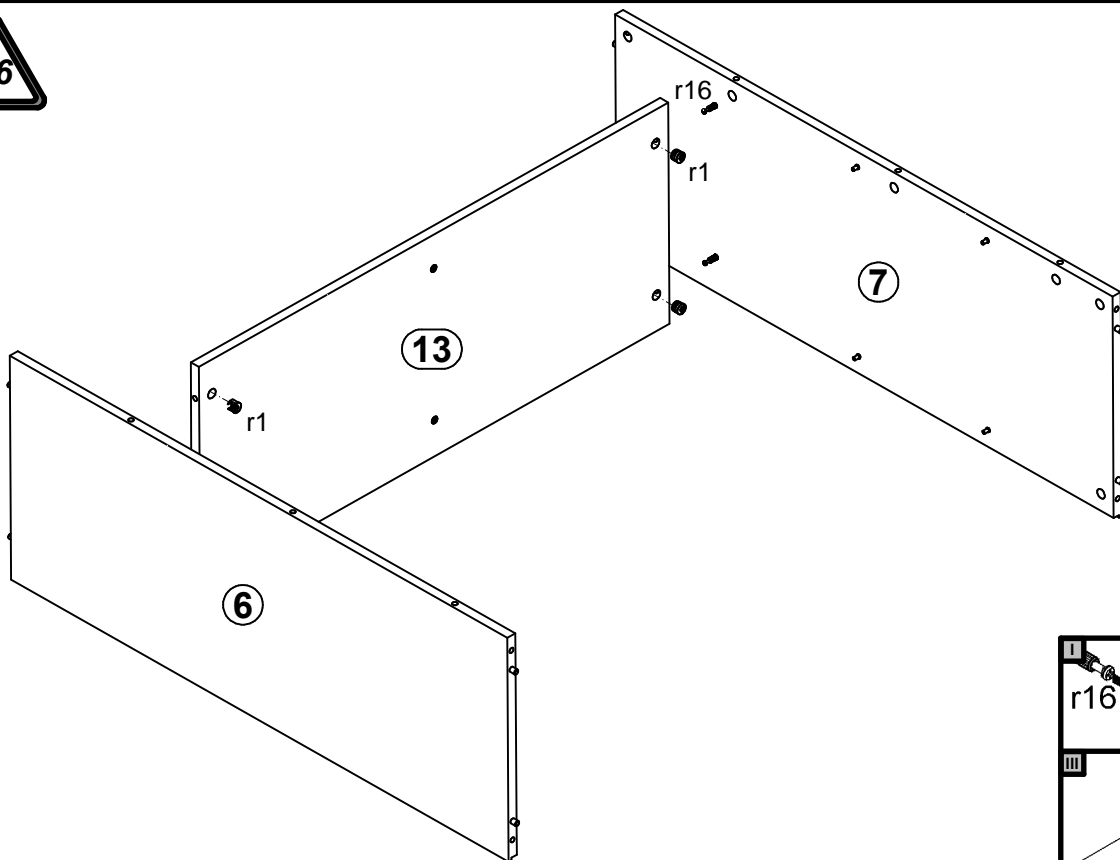


4x a11	4x b4	4x 300 mm c196	8x φ5x17 mm d1	2x φ7x50 mm e1	8x φ6,3x13 mm e2	16x φ6x13 mm e3	34x φ8x30 mm f1	8x φ6,5x40 mm f25
4x M4x9 mm j2	4x 56x56x20mm k52	45x l1	8x φ4x30 mm p21	8x φ4x42 mm p22	28x φ1,5x12mm #16 r1	28x r16	4x 310 mm w4	14x ø16 s2
1x GLUE y1	1x z1							

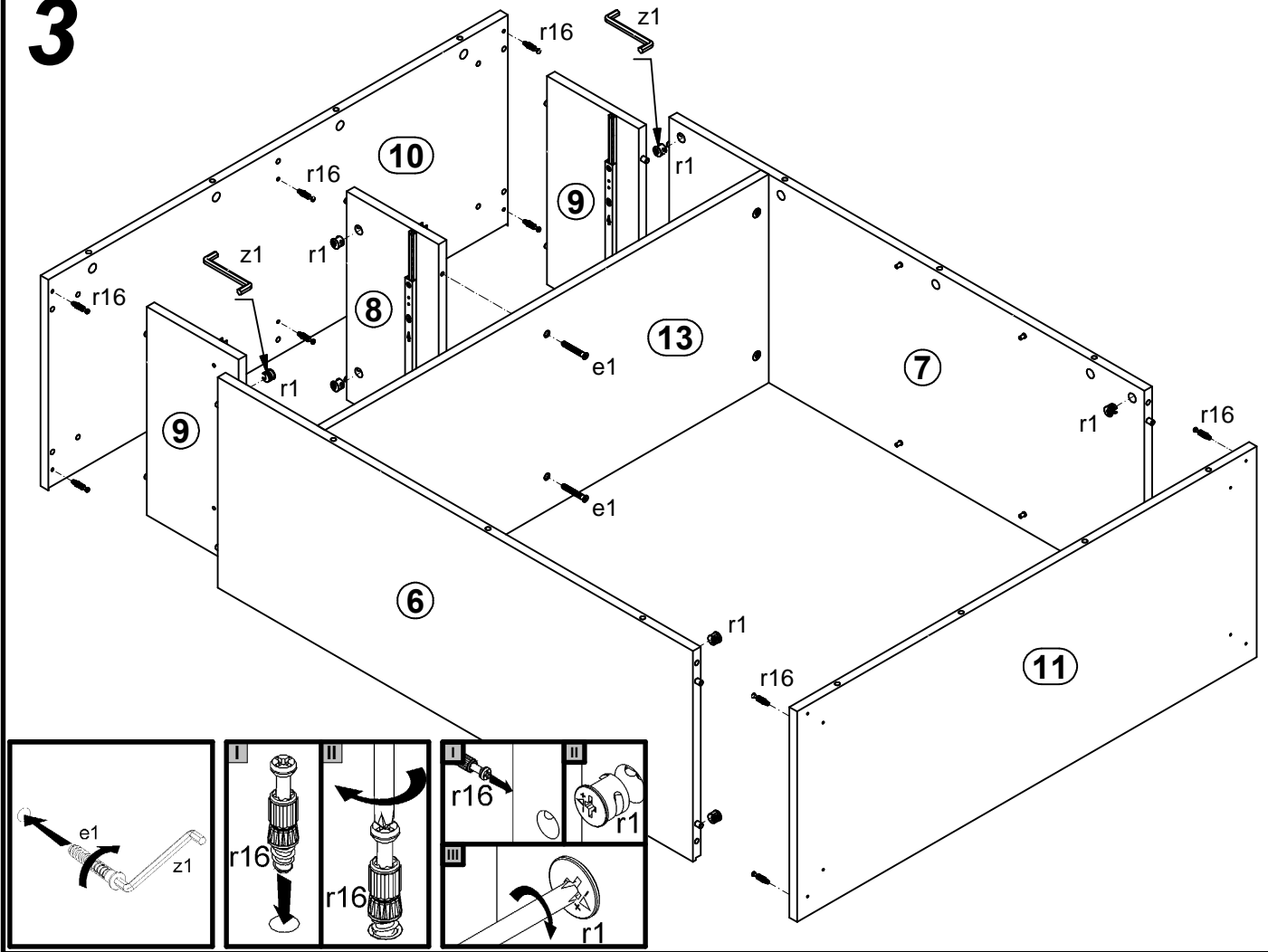
1



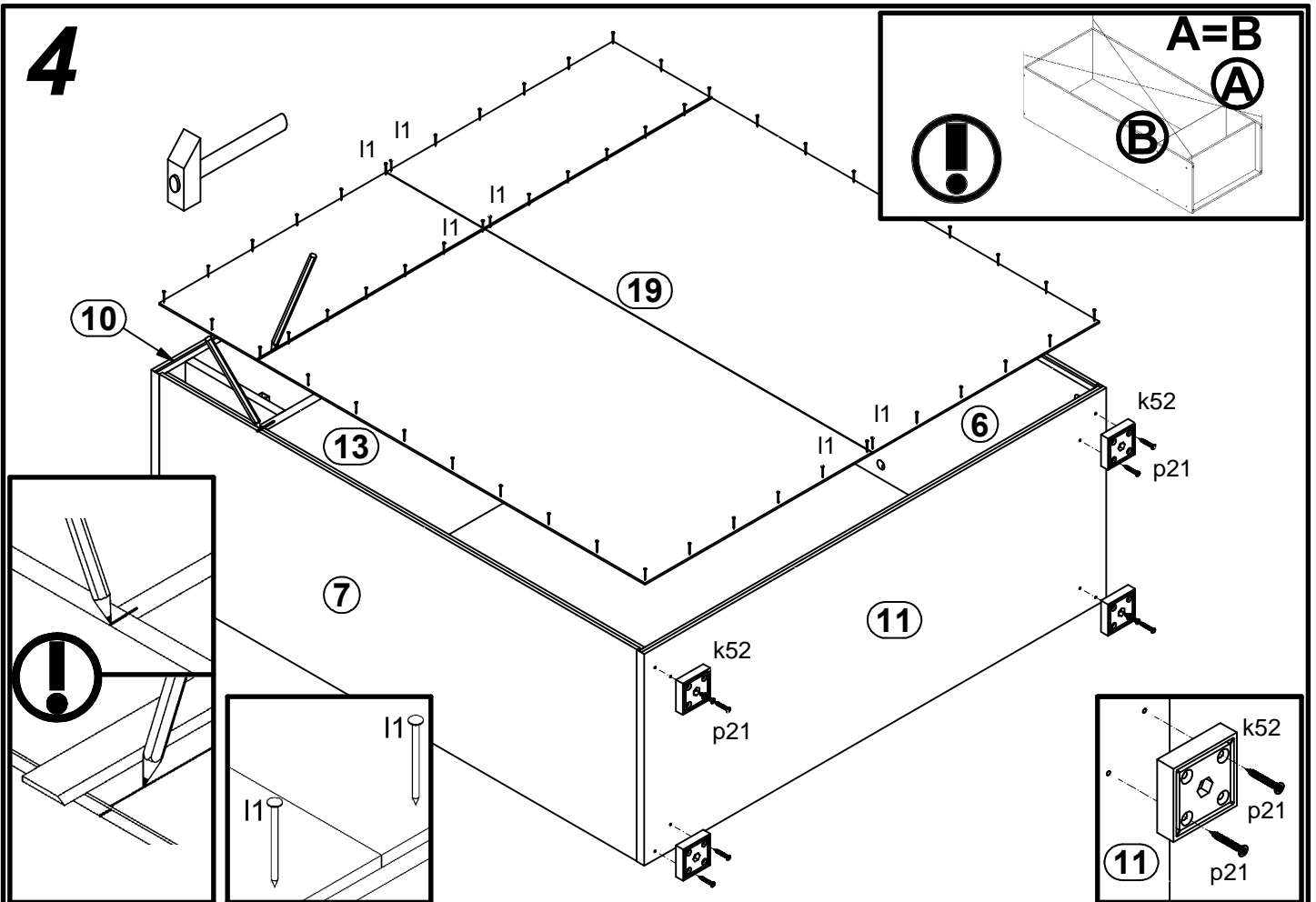
2



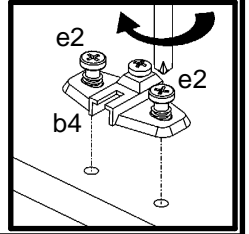
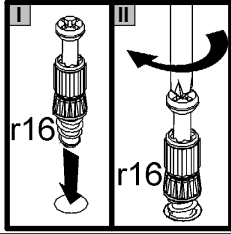
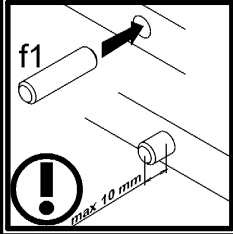
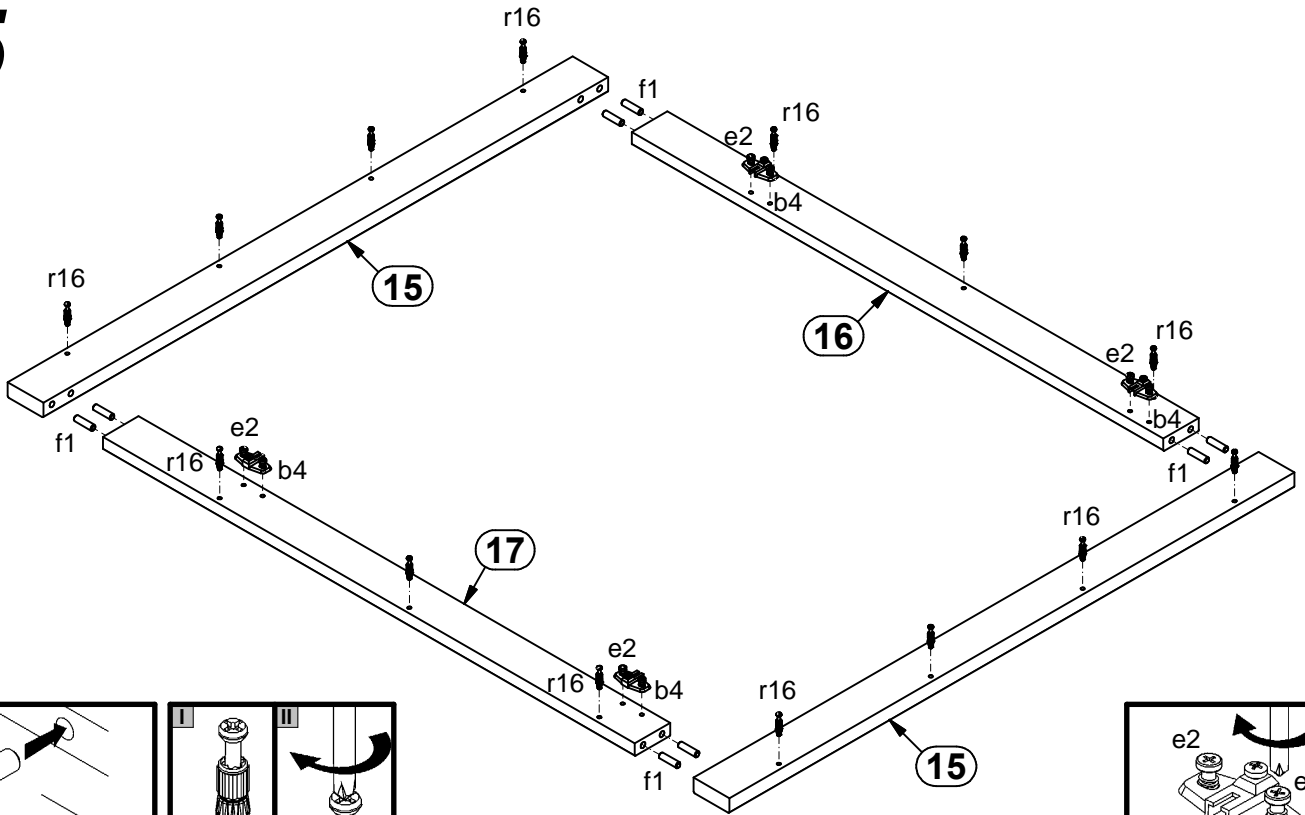
3



4



5



6

