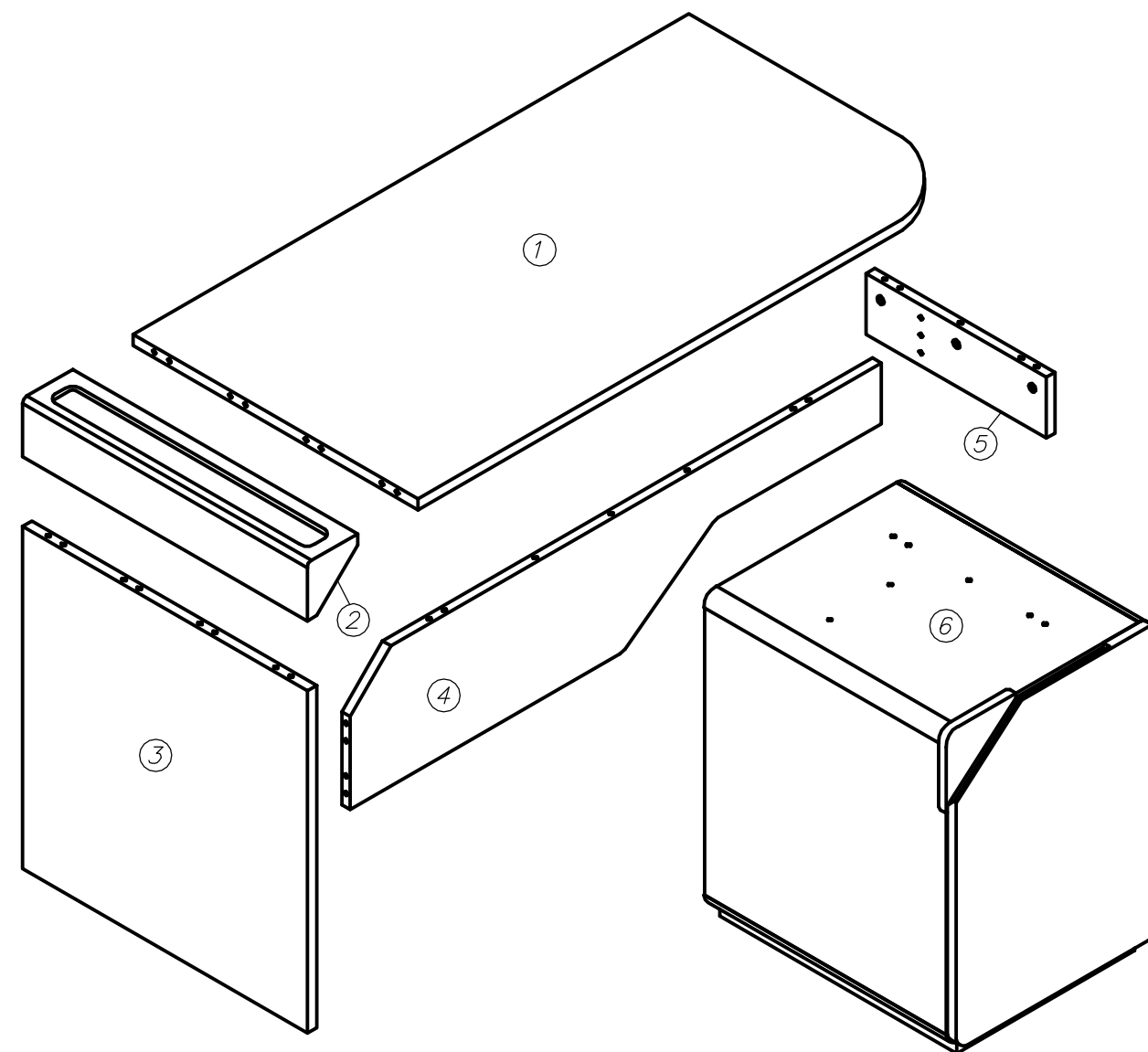
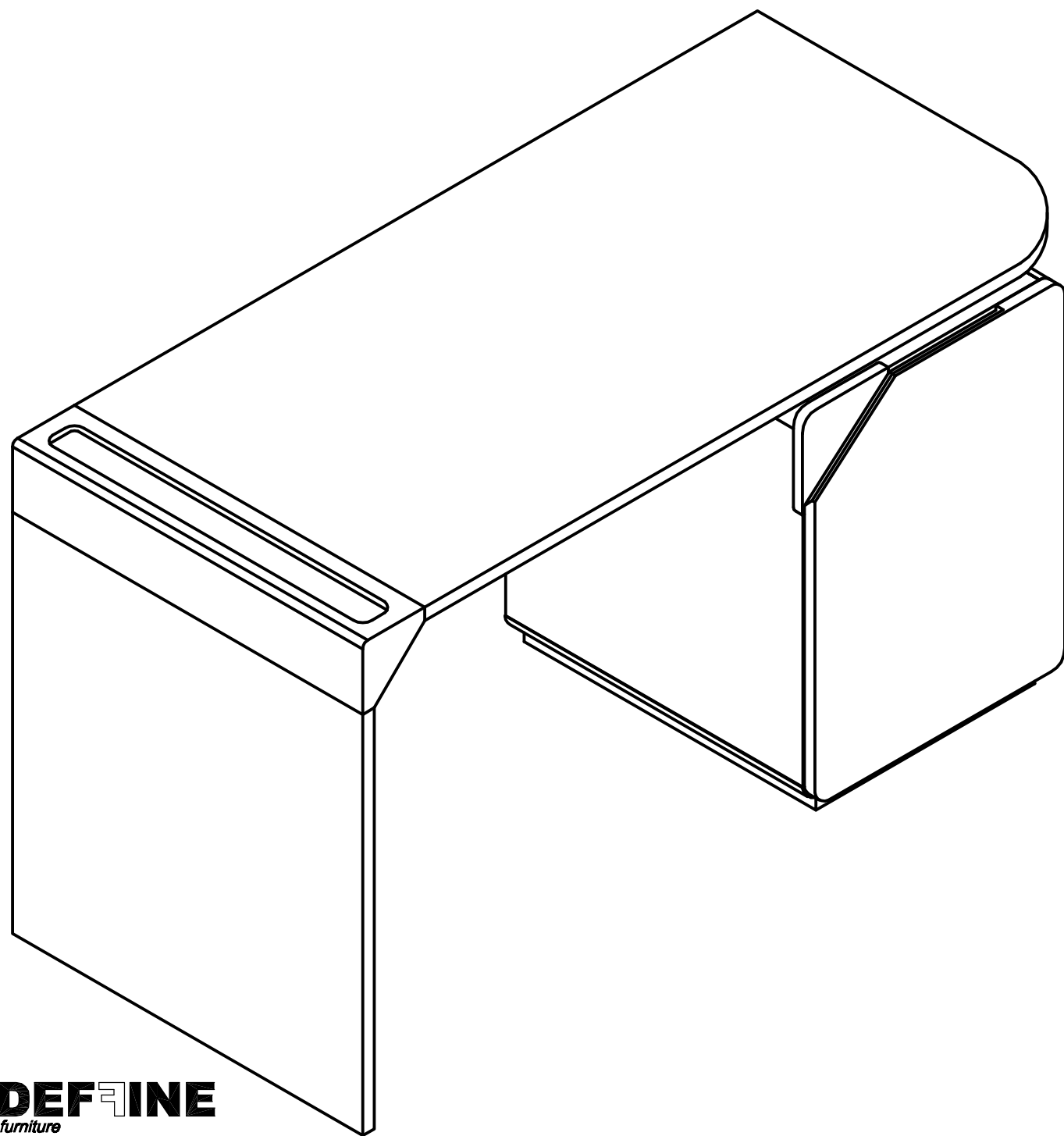
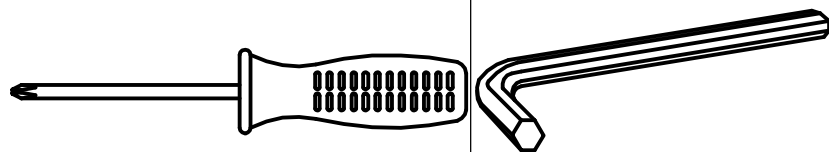
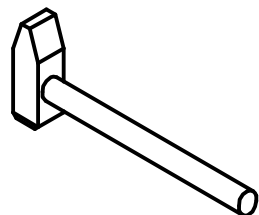




BEEP COLLECTION



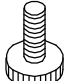
 **A** x 19

 **B** x 18

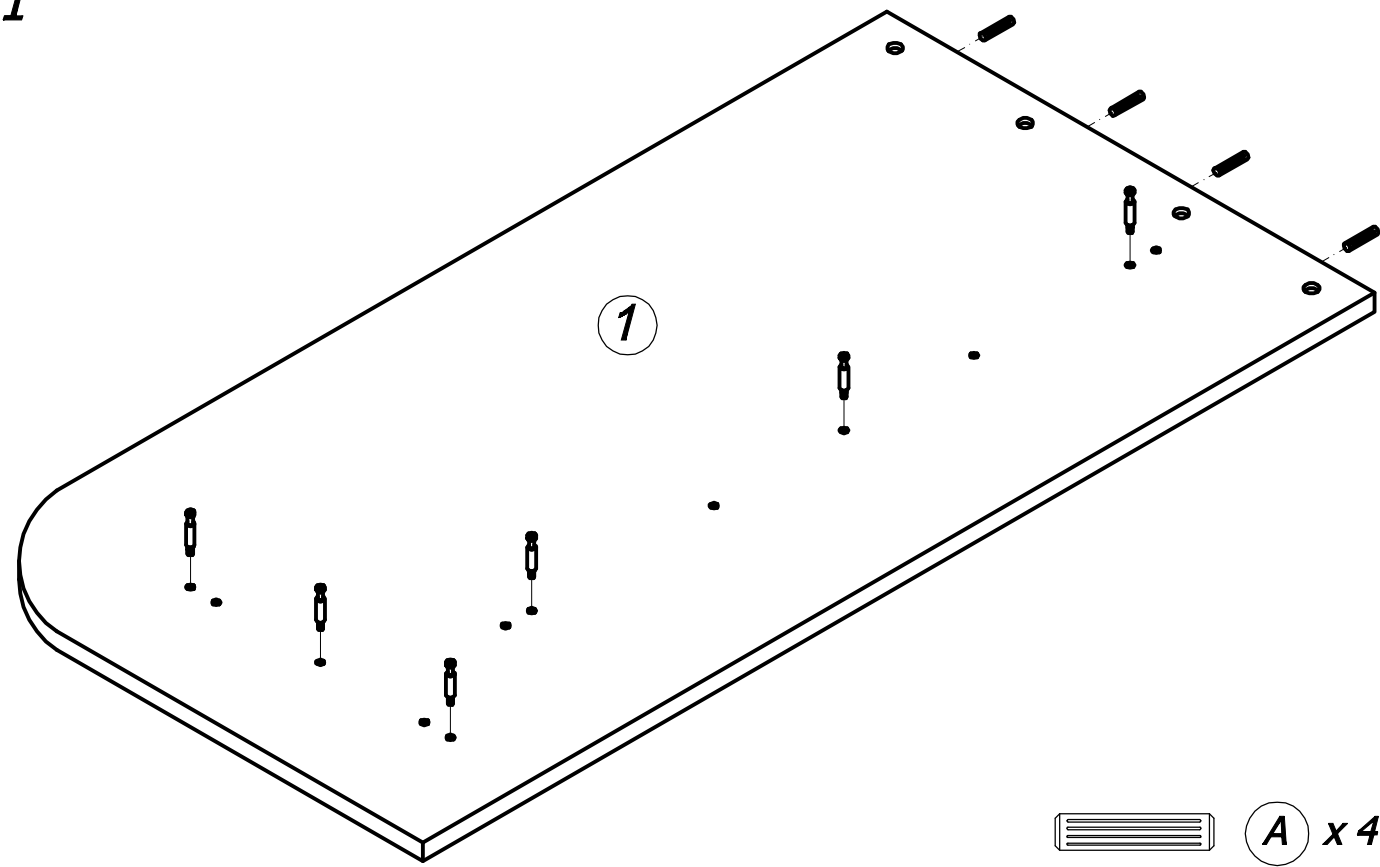
pl. 18  **C** x 18



 **D** x 1

 **E** x 5

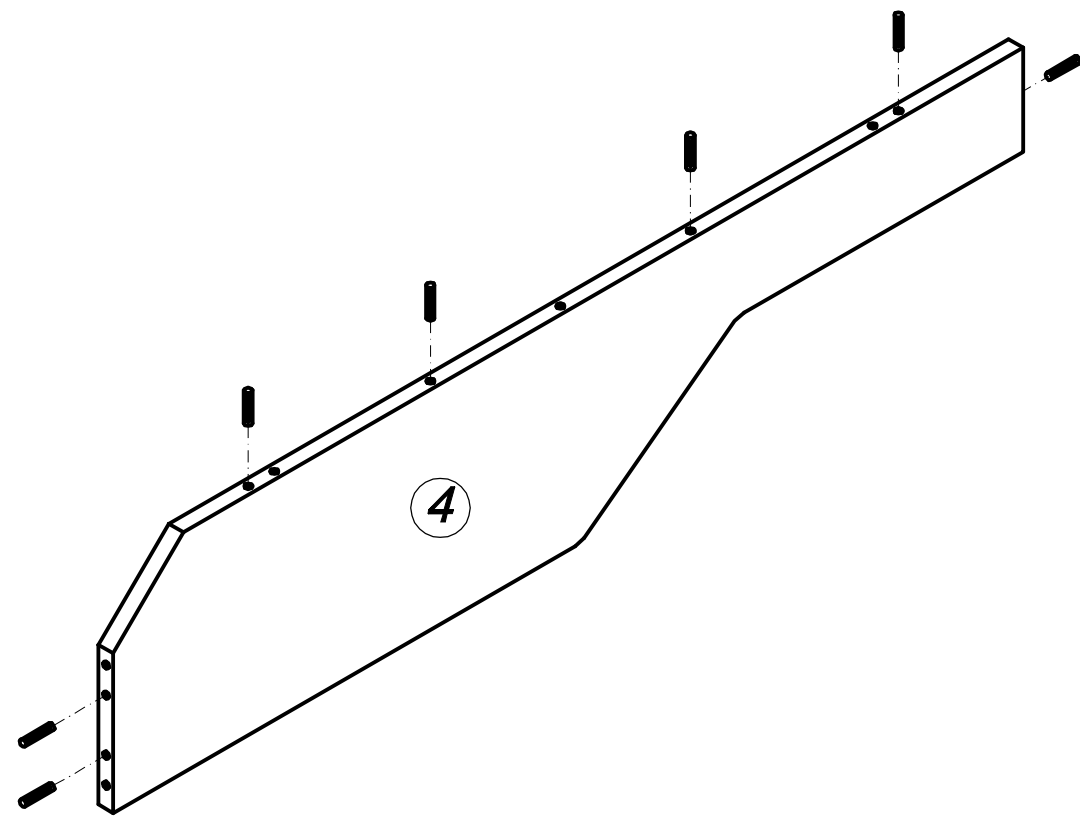
 **F** x 6


1



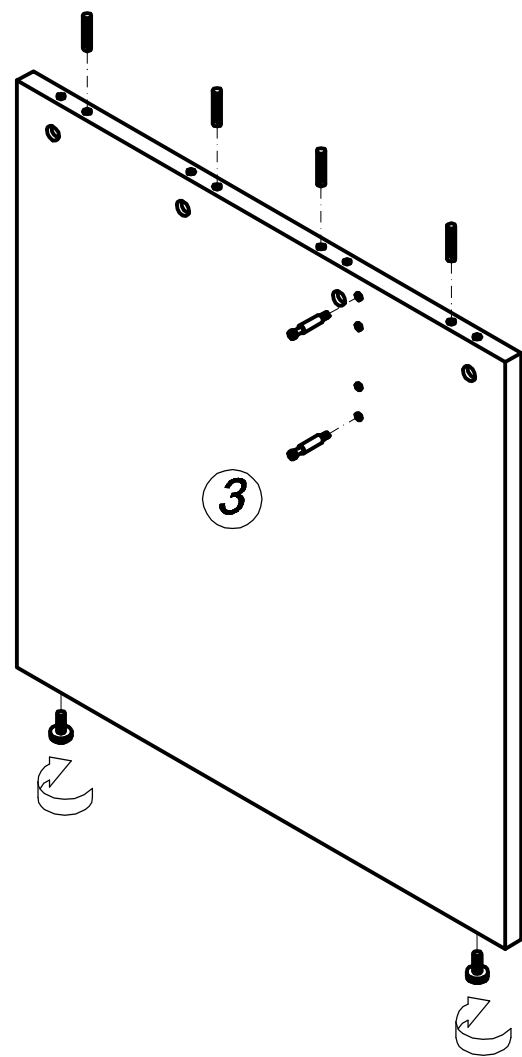
-  (A) x 4
-  (B) x 6



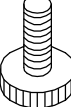
2



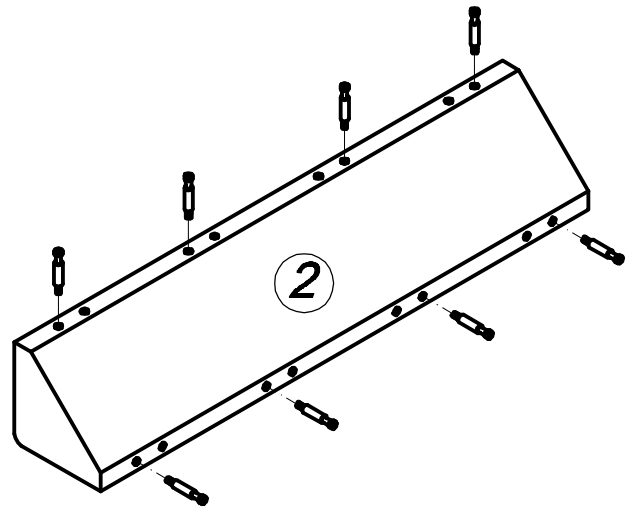
-  (A) x 7


3



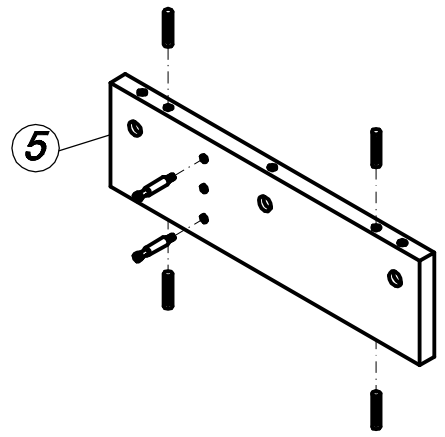
-  (A) x 4
-  (B) x 2
-  (K) x 2


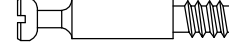
4



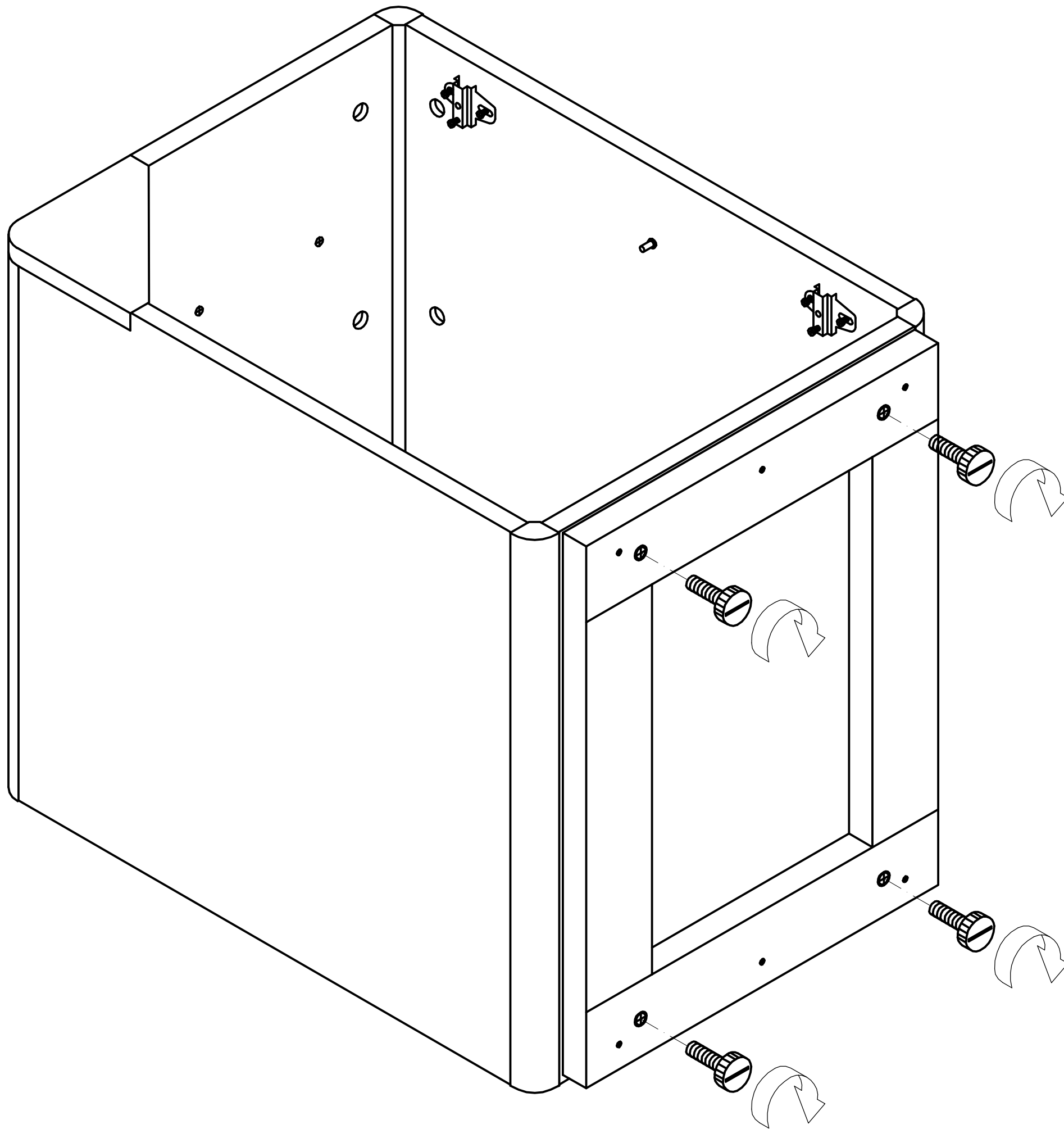
-  (B) x 8

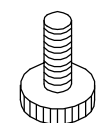
5



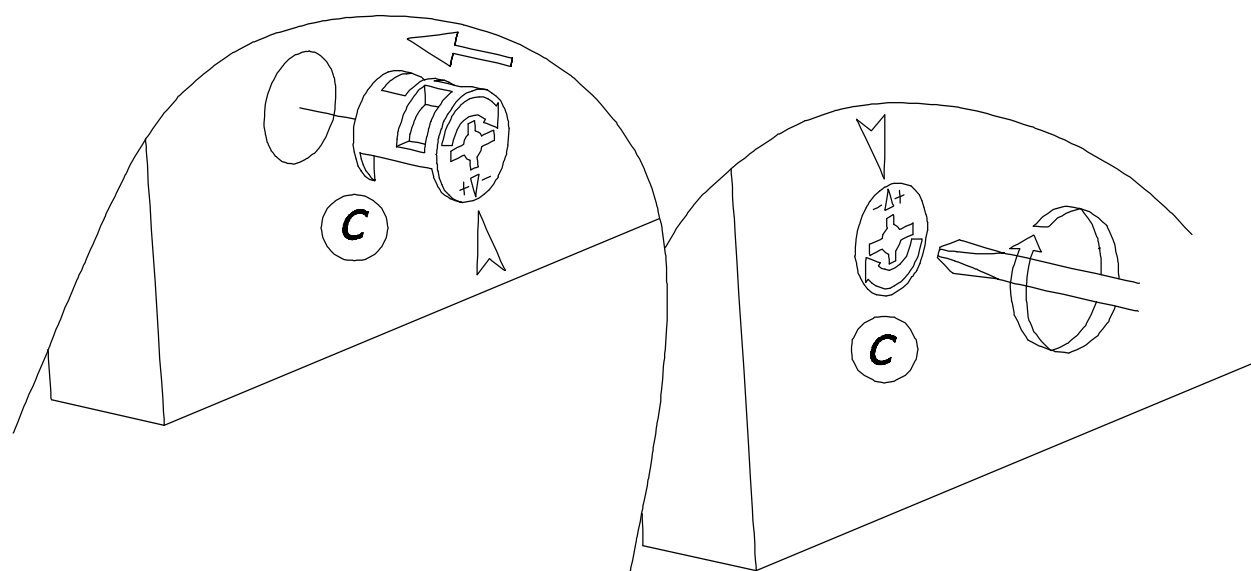
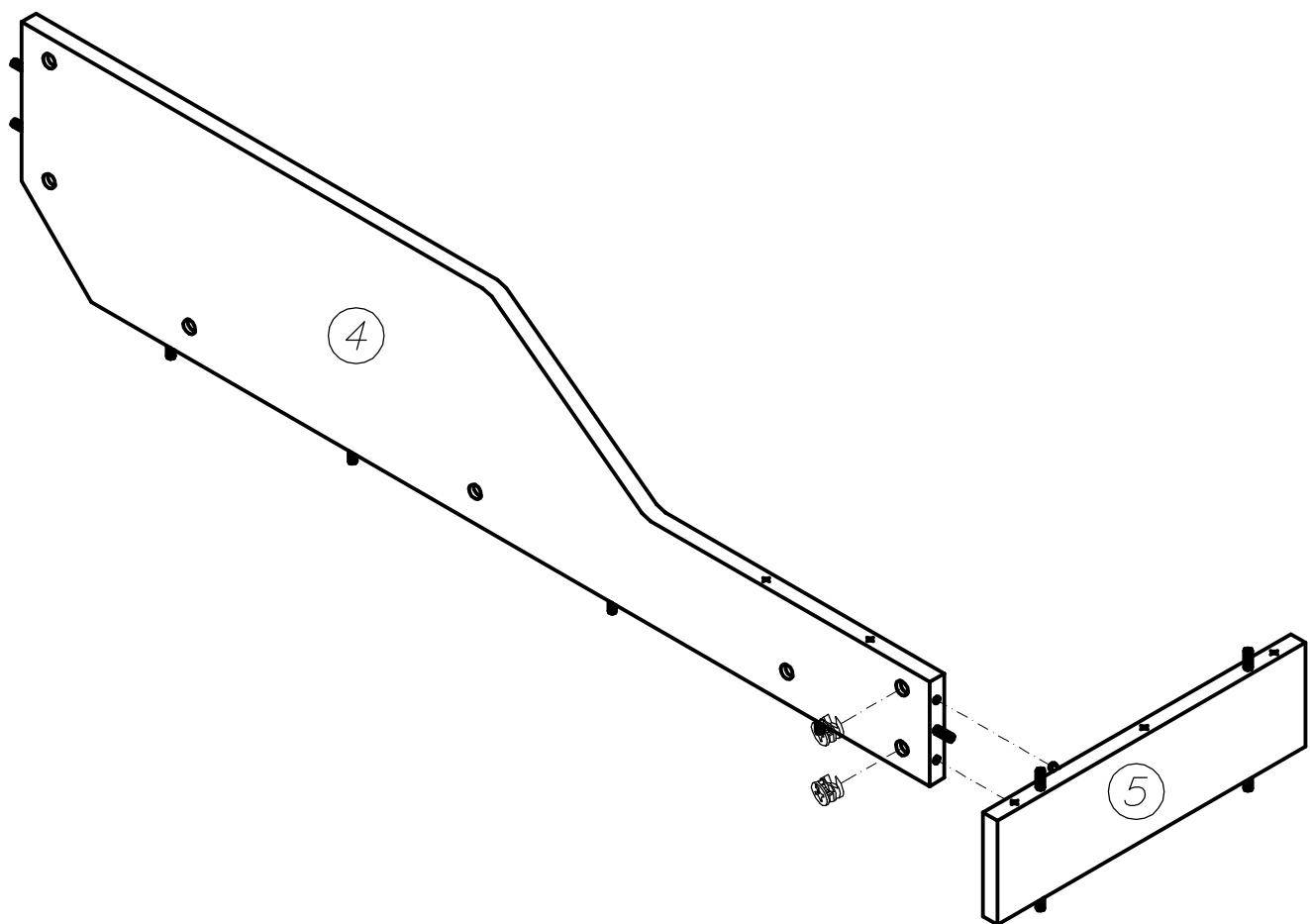
-  (A) x 4
-  (B) x 2

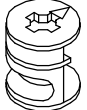
6



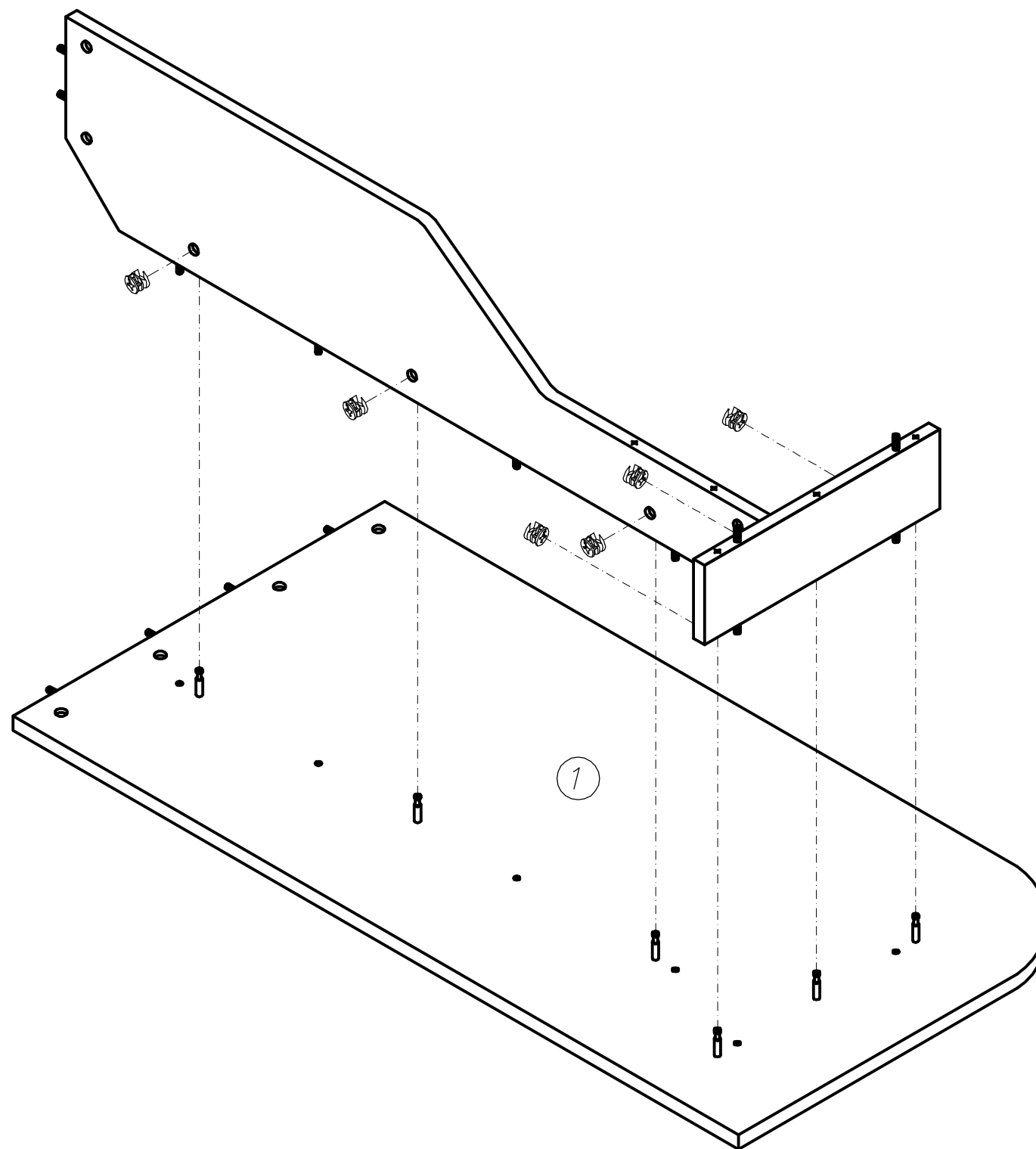
 **K x 4**


7



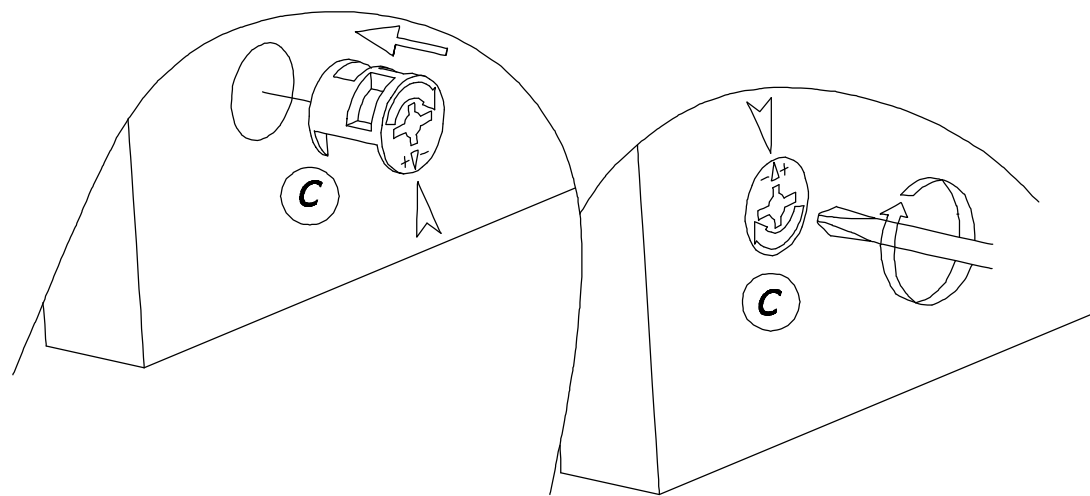
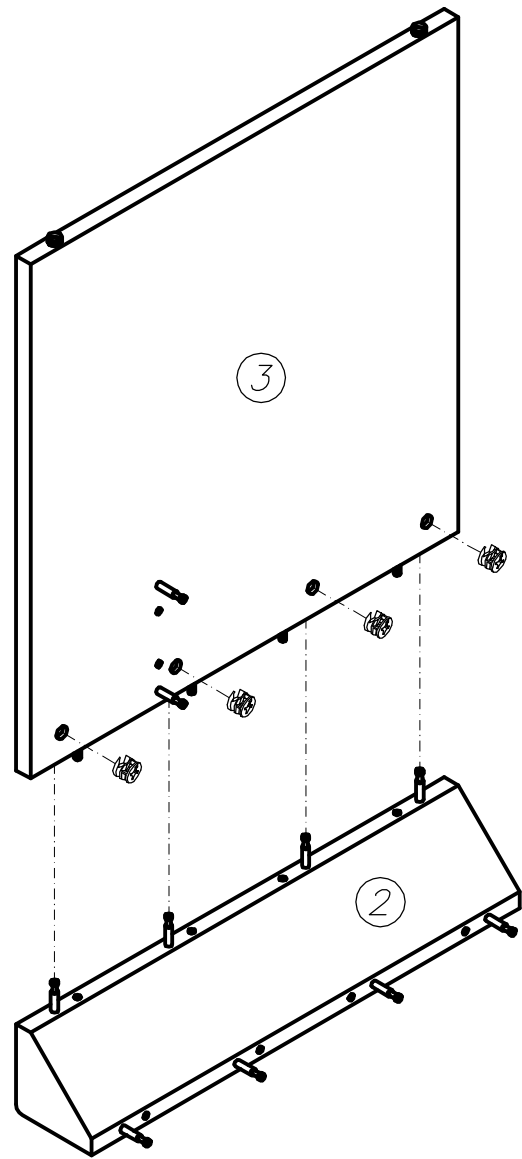
pl. 18  C x 2

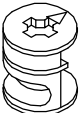
8



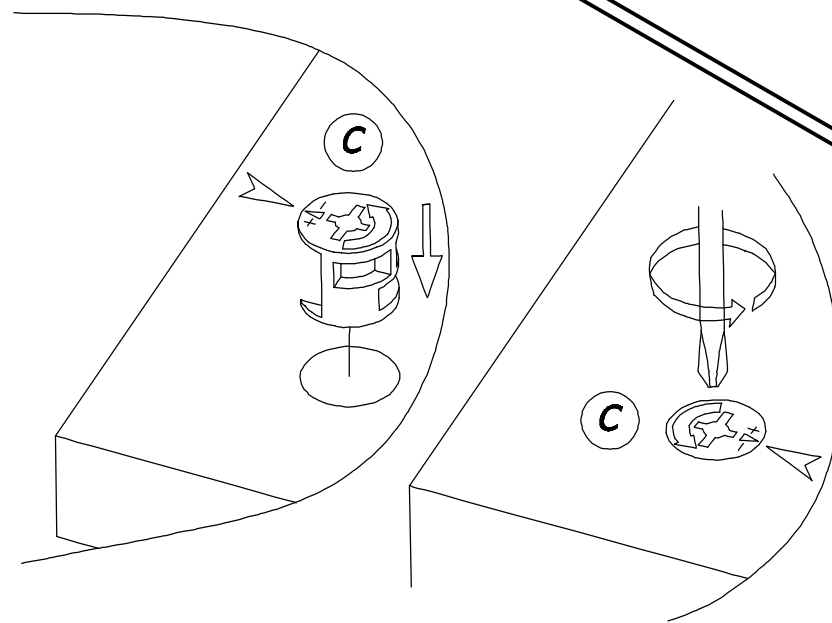
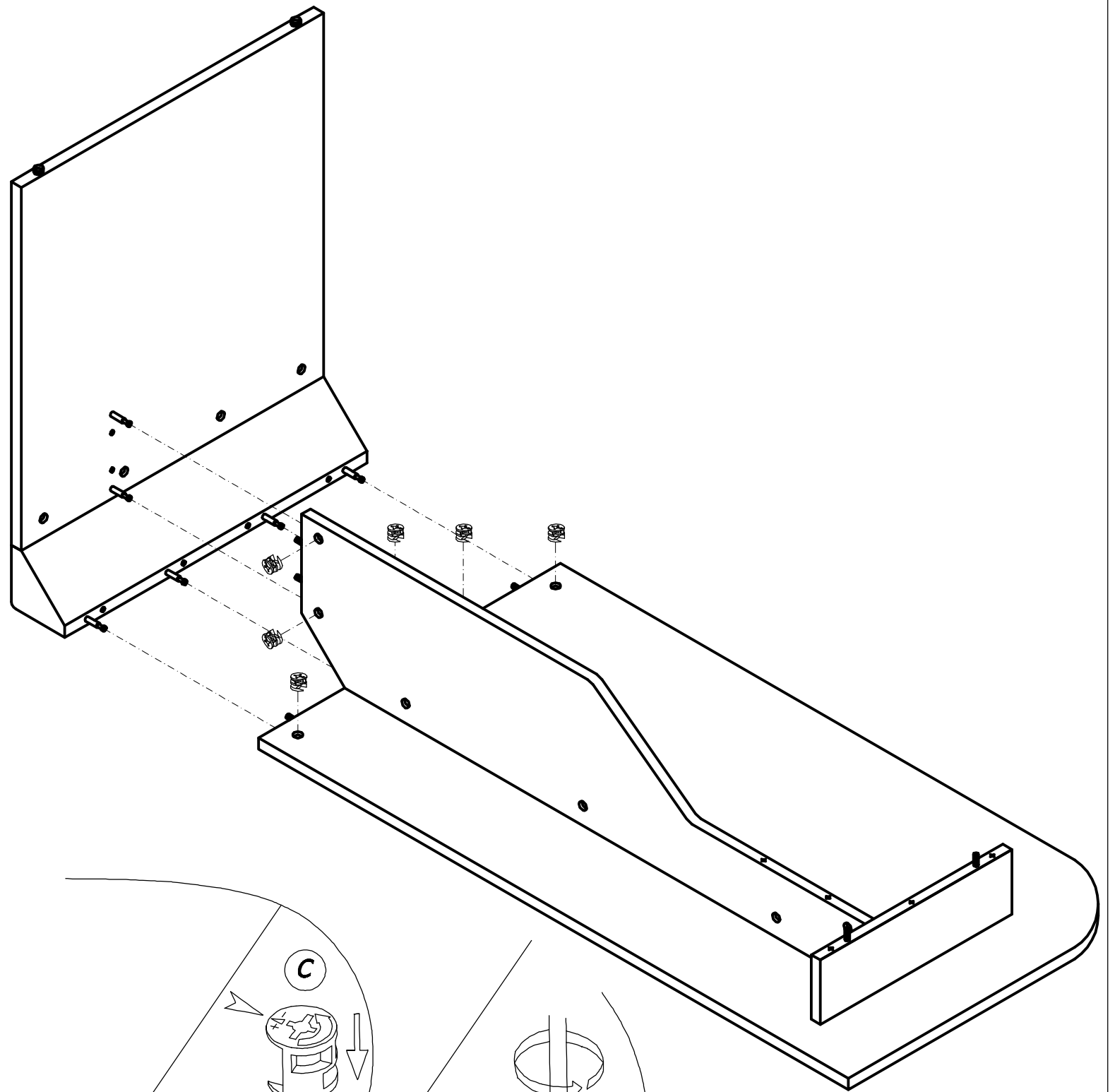
pl. 18  C x 6


9

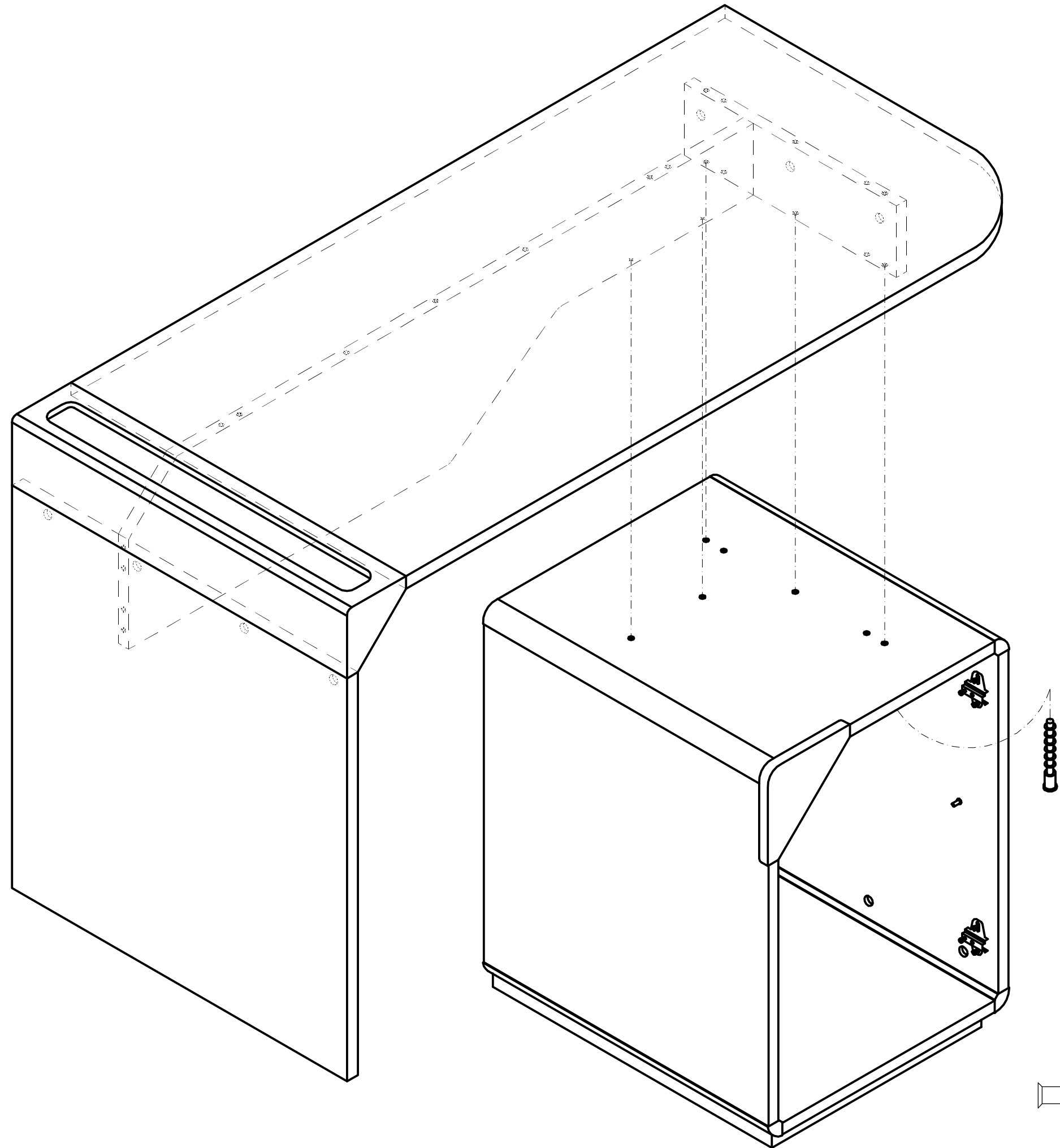


pl. 18  C x 4

10

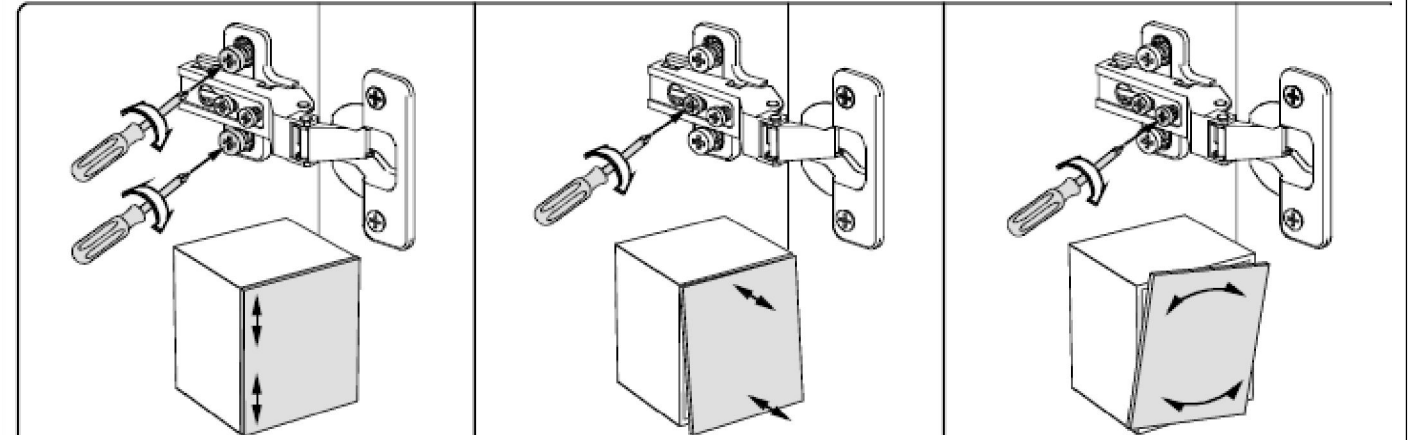
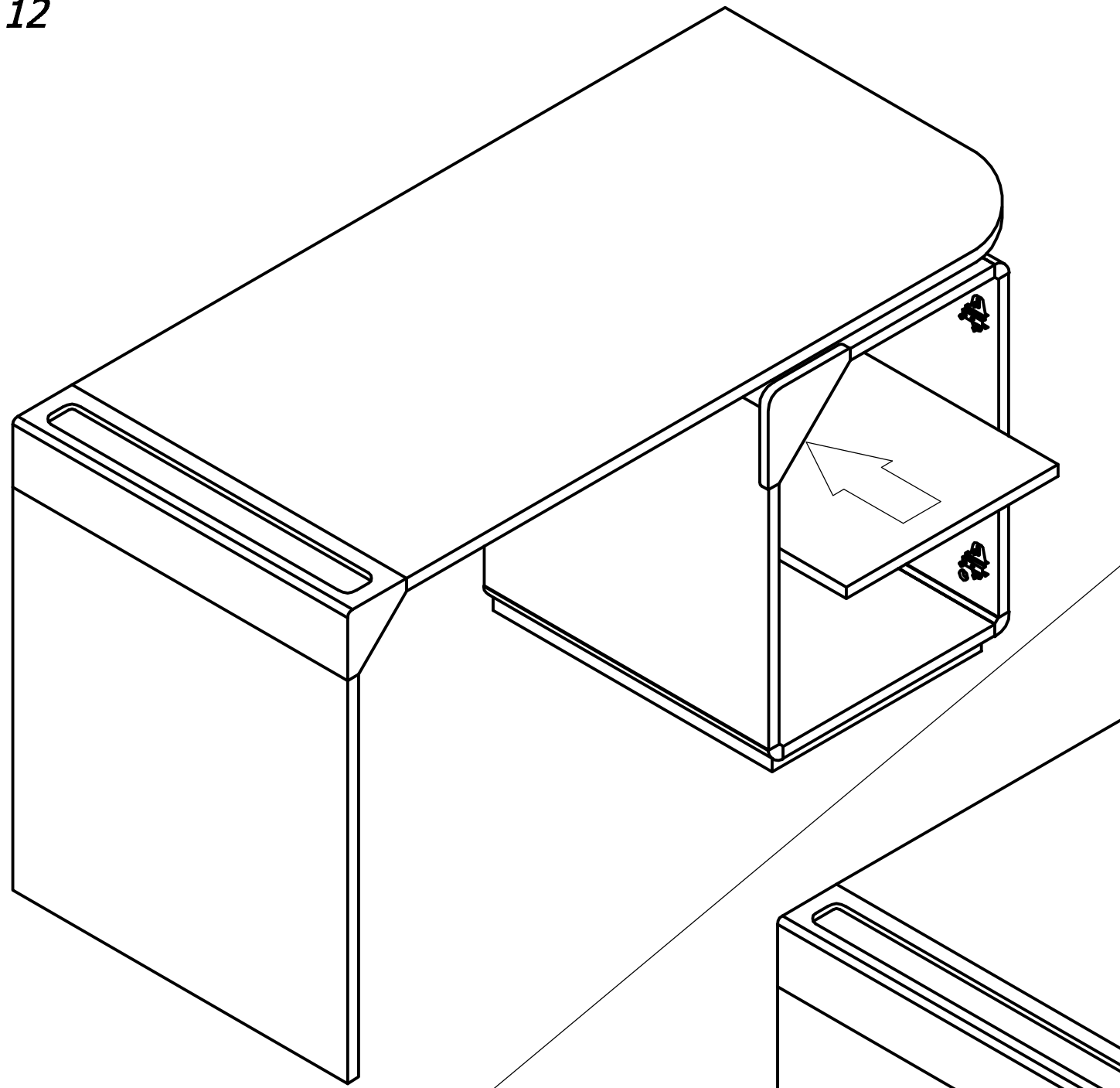


pl. 18  C x 6



 **I** x 5

12



13

